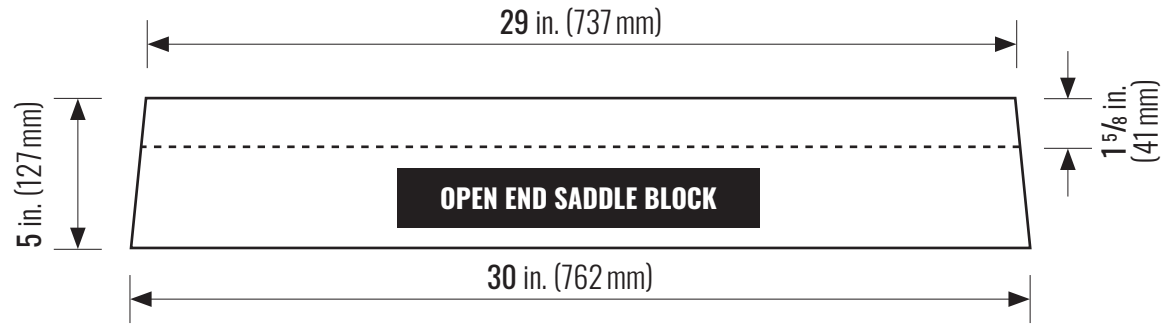


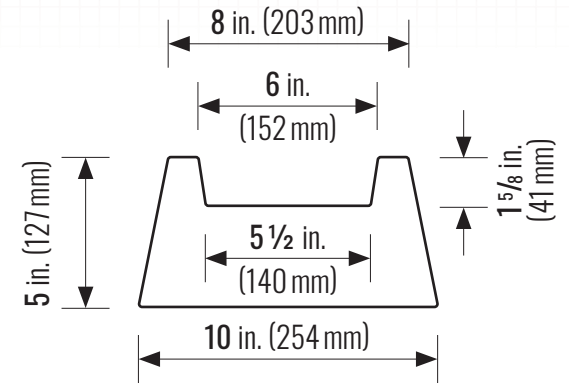


Casey Concrete Ltd. SADDLE BLOCKS

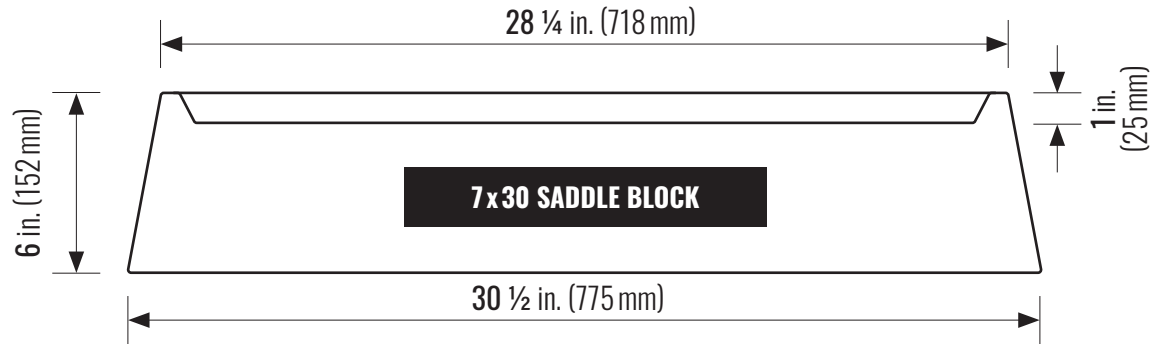
caseyltd.ca



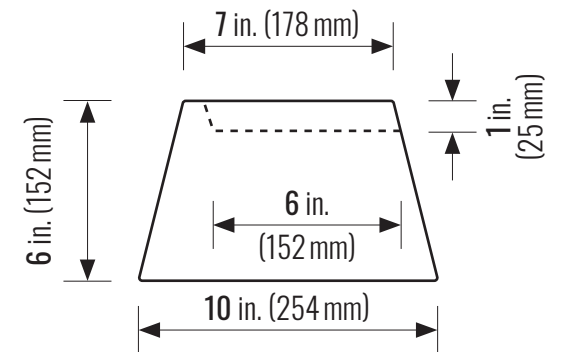
FRONT VIEW



END VIEW



FRONT VIEW



END VIEW

DETAILS: Open End Saddle Block

Dimension: 762 x 254 mm (30 x 10 in.)
Weight: 43.1 kg (95 lbs)

DETAILS: 7x30 Saddle Block

Dimension: 775 x 254 mm (30 1/2 x 10 in.)
Weight: 47.6 kg (105 lbs)

PHYSICAL PROPERTIES:

Meets the requirements of CSA A23.1
Compressive Strength: Min 35 MPa @ 28 Days
Concrete Contains: 5-8% Entrained Air

