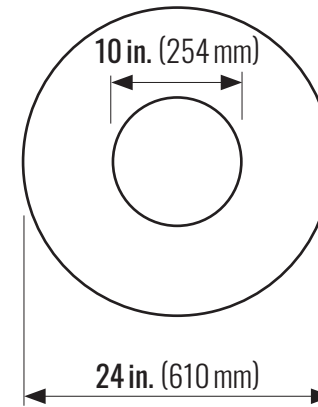
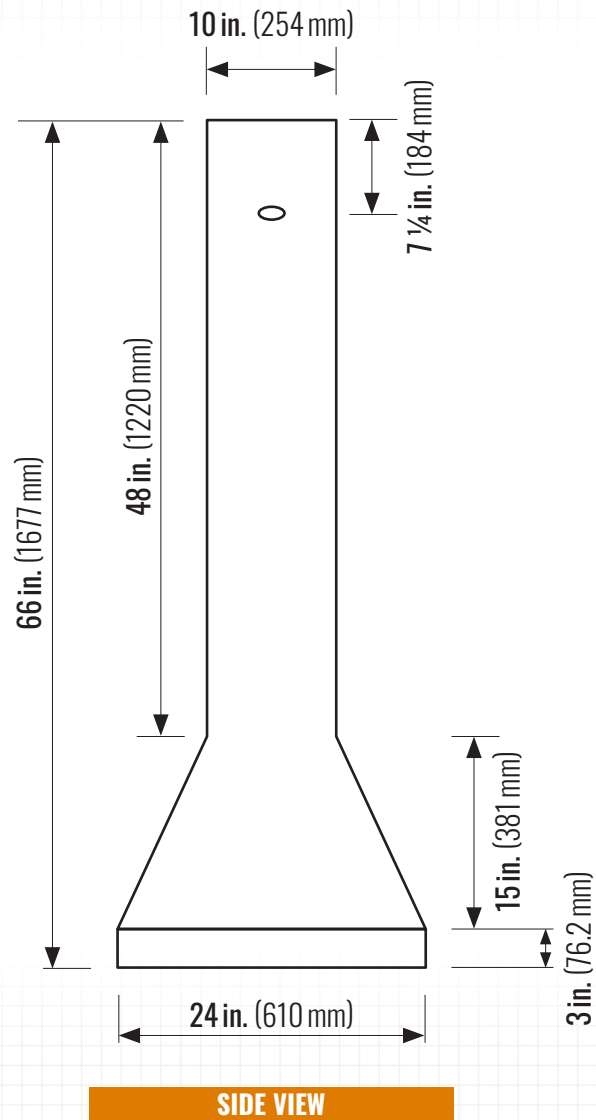




# Casey Concrete Ltd. POST WITH BASE

caseyltd.ca



TOP VIEW



## PACKAGING:

Weight Per Piece: 400.98 kg (884 lbs)  
Volume: 0.17 m<sup>3</sup>

## PHYSICAL PROPERTIES:

Meets the requirements of CSA A165.1 Concrete Masonry  
Compressive Strength: Min 32 MPa @ 28 Days  
Absorption (%): 8.0 % Maximum @ 28 Days