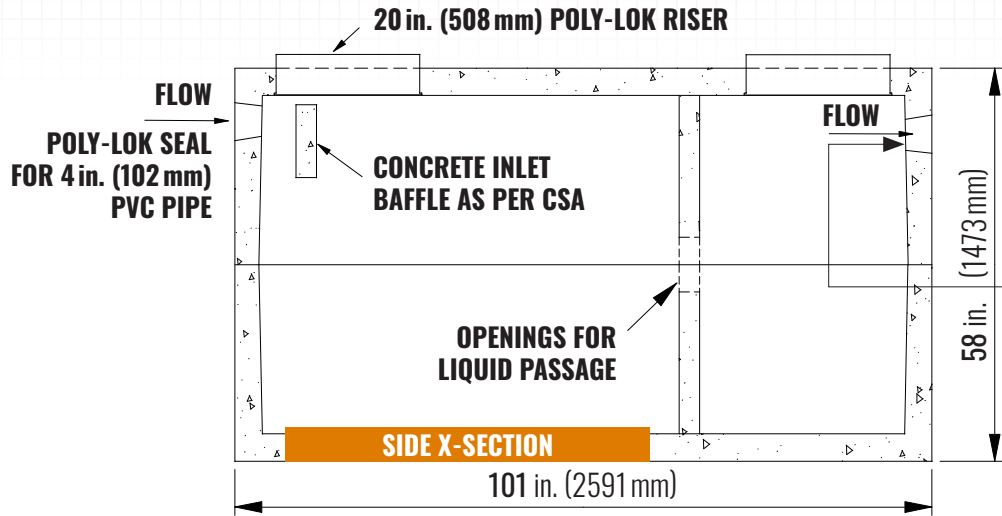




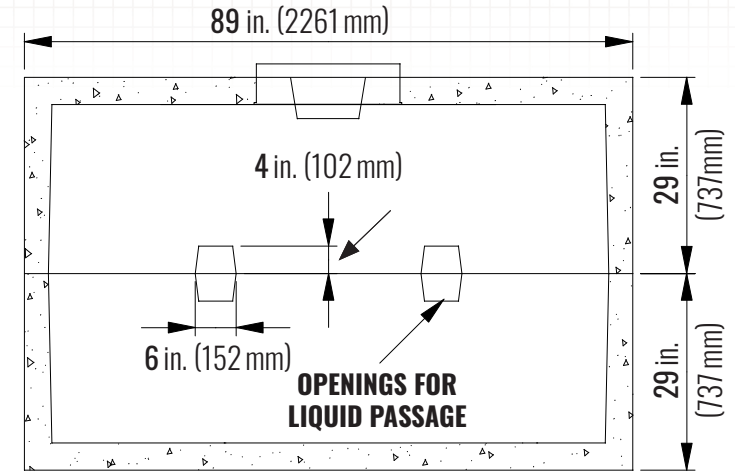
# Casey Concrete Ltd.

caseyltd.ca

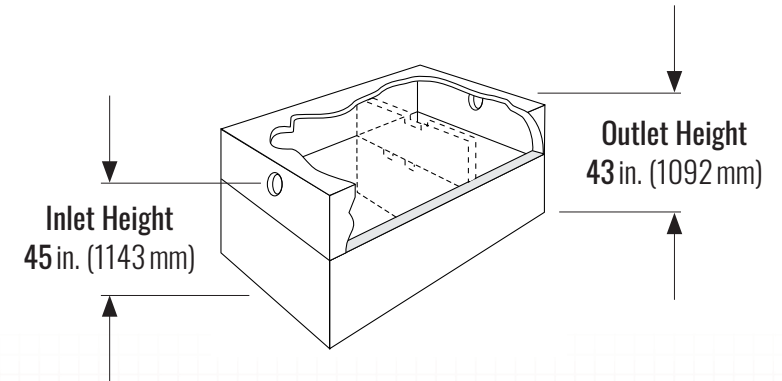
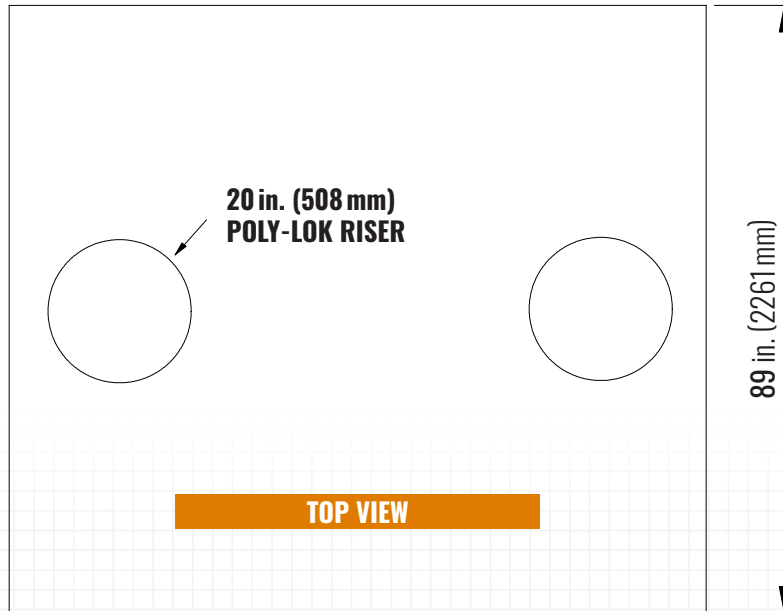
## PRECAST 4660 L (1025 GAL) LOW PROFILE SEPTIC TANK



**OUTLET REQUIRES EFFLUENT FILTER POLY-LOK SEAL FOR 4 in. (102 mm) PVC PIPE**



**END X-SECTION**



### PACKAGING:

Top Section Weight: 2882 kg (6340 lbs) +/-  
 Bottom Section Weight: 2927 kg (6440 lbs) +/-  
 Total Assembled Weight: 5809 kg (12780 lbs) +/-

### PHYSICAL PROPERTIES:

Concrete meets requirements of CSA A23.1  
 Compressive Strength: Min 32 MPa @ 28 Days  
 Concrete Contains: 5-8% Entrained Air