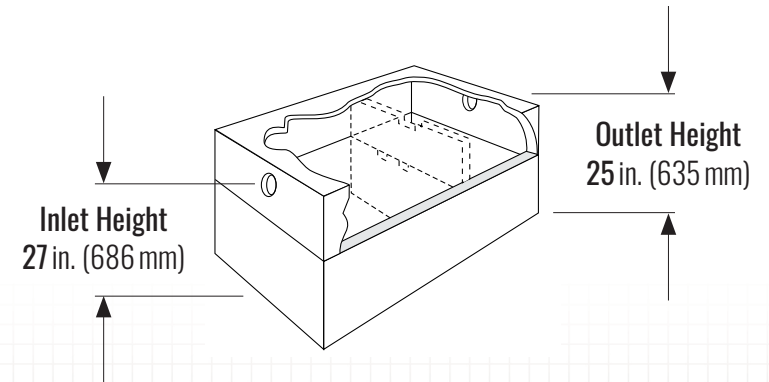
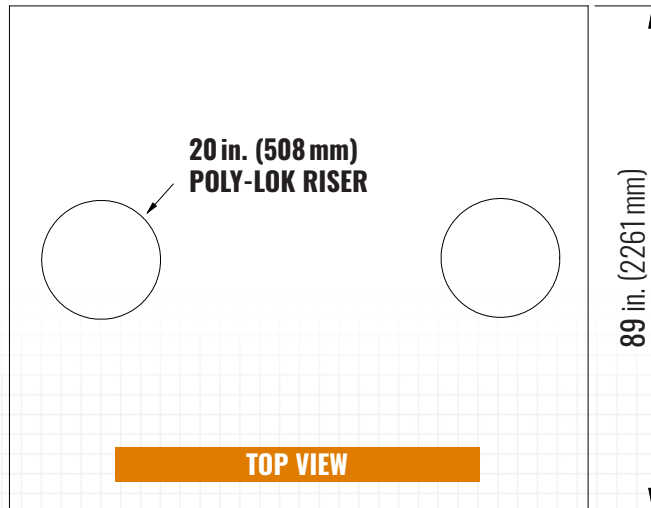
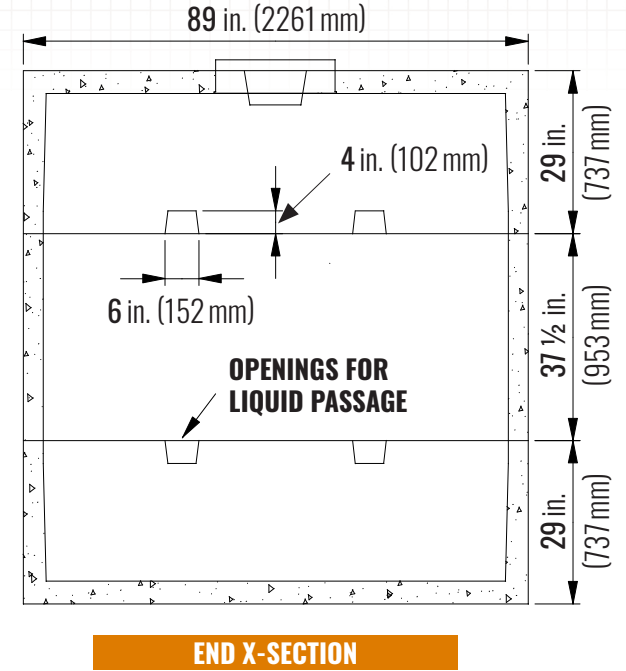
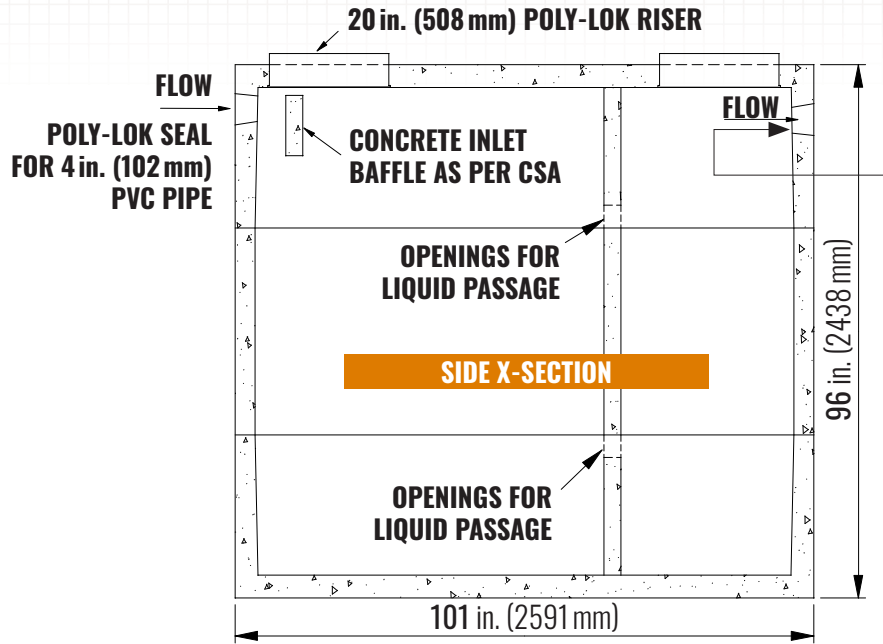




# Casey Concrete Ltd. PRECAST 9305 L (2047 GAL) SEPTIC TANK

caseyltd.ca



## PACKAGING:

Top Section Weight: 2882 kg (6340 lbs)+/-  
 Middle Section Weight: 1600 kg (3520 lbs)+/-  
 Bottom Section Weight: 2927 kg (6440 lbs)+/-  
 Total Assembled Weight: 7409 kg (16300 lbs)+/-

## PHYSICAL PROPERTIES:

Concrete meets requirements of CSA A23.1  
 Compressive Strength: Min 32 MPa @ 28 Days  
 Concrete Contains: 5-8% Entrained Air