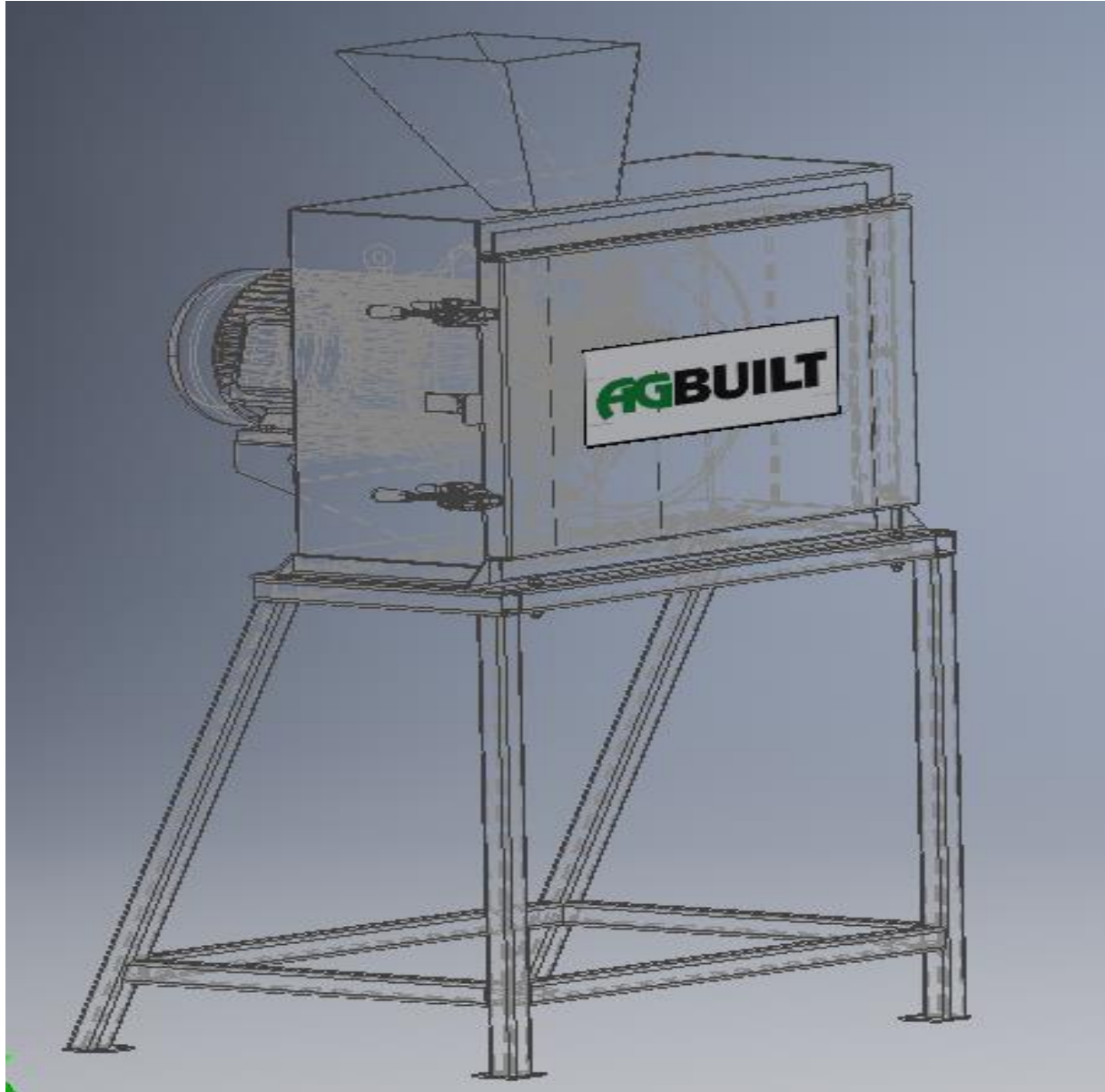


AGBUILT

Stainless Steel Hammermill





Stainless Steel Hammermill

The **AGBUILT** Hammer Mill direct drive design was intended to provide top-quality processed product with minimum maintenance at low operating cost.

Built with heavy-gauge food grade stainless steel that resists corrosion.

Direct drive eliminates the need to adjust belts grease bearings or maintain expensive gear boxes .

The full opening stainless-steel front door allows safe and easy access to the grinding chamber for ease of cleaning or maintenance.

Heavy Duty debris inlet magnet removes most ferrous iron objects.

Agbuilt hammer mill can be fitted with augers or **AGBUILT** Blower \ Vacuum pneumatic conveying systems.

All operators or owners must review the manual before using the equipment. Contact your **AGBUILT** Dealer if you need assistance, information, or additional copies of the manual. Visit our website at www.agbuilt.ca for a complete list of dealers in your area.

AGBUILT



Table of Contents Introduction

Introduction.....	2
Table of Contents.....	3
Safety.....	4-5
Installation	6
Maintenance	6
Operation.....	6
Warranty.....	7
Feed rate – Hp chart	8

Drawings

Hammermill Hub Drawing parts list	9
Hammermill Assembly Drawing	10

AGBUILT

EXTREMELY IMPORTANT

The **AGBUILT** Hammer Mill must always be operated in accordance with the instructions and precautions in this manual and on the caution plates attached to the equipment. Only service technicians completely familiar with the instructions and all safety precautions in this manual should be permitted to operate or maintain or repair the unit. The operators should thoroughly understand these instructions and precautions before attempting to operate this equipment

DANGER OPERATORS MUST NOT TO PUT HANDS, FINGERS OR OTHER FOREIGN OBJECTS IN THE MACHINE, AND MUST NOT REMOVE ANY COVER, DOOR, HATCH OR OTHER PROTECTIVE DEVICES PLACED ON THIS MACHINE. ANY ATTEMPT TO MODIFY OR REMOVE THESE DEVICES COULD RESULT IN SERIOUS INJURY.



DANGER- ELECTRICAL SERVICE TO THE MACHINE MUST BE DISCONNECTED & LOCKED WHILE ANY REPAIRS OR ADJUSTMENTS ARE BEING MADE OR WHILE ANY COVER, DOOR, HATCH OR OTHER PROTECTIVE DEVICE IS NOT IN PLACE.



AGBUILT

DANGER Operators and maintenance personal must be aware this machine can be wired into an automated controller that allows it to start automatically. THE MACHINE MUST BE DISCONNECTED & LOCKED OUT FROM ELECTRICAL SOURCE WHILE ANY REPAIRS OR ADJUSTMENTS ARE BEING MADE OR WHILE ANY COVER, DOOR, HATCH OR OTHER PROTECTIVE DEVICE IS NOT IN PLACE.



Safety Checklist

ALWAYS operate the Hammer Mill in accordance with the instructions in this manual.

NEVER open inspection doors while any part of the unit is in motion.

NEVER work on unit and related components unless electric power has been disconnected from the unit and the motor drive has been locked out and tagged.

Code requires a manually operable disconnect switch located within sight of the motor, or a controller disconnecting means capable of being locked if not within sight of the motor.

DO NOT use the Hammer Mill for processing of material other than the specific application for which it was designed.

NEVER poke or prod into unit openings with bar or stick.

ALWAYS have a clear view of unit loading and unloading points and all safety devices.

KEEP area around unit, drive and control station free of debris and obstacles.

NEVER operate unit without guards and all safety devices in position and functioning.

NEVER put your hand near or in the inlet or outlet of the Hammer Mill while it is operating or stalled.



INSTALLATION

Installation must be performed by qualified personal meeting all Federal Provincial & State electrical codes & bylaws. Be sure the installers are aware of installation requirements.

AGBUILT hammers mill need to be installed on a solid level base in order to ensure vibration-free operation.

Vibration• The hammers must rotate freely or they will cause vibration. If machine vibrates, check if all hammers are running freely. Broken hammers should always be replaced as a set, as this affects the rotating balance.

Motor rotation may be reversed to utilize both sides of the hammers increasing Hammer longevity before replacement.

Power required for operation (7.5 – 30 HP) will be determined by the feed rate & particle size set out on the feed rate chart. To determine hp & screen size refer to page 7



Mill screens

Your choice of standard mill screens included with all hammermills.

3/32", 1/8", 5/32", 11/64", 3/16", 7/32", 1/4", 5/16", 3/8"

Specialty screens down to .020" and up to 3/4" are available at extra cost.

Warranty

Limited Warranty **AGBUILT** provides this warranty only to original retail purchasers of its product.

AGBUILT warrants to such purchasers that all **AGBUILT** manufactured parts and components used and serviced as provided for in the Operator's Manual shall be free from defects in materials and workmanship for a period following delivery to the original retail purchaser of 24 months.

This limited warranty applies only to those parts and components manufactured by **AGBUILT**.

Parts and components manufactured by others are subject to their manufacturer's warranties, if any.

AGBUILT will fulfill this limited warranty by, at its option, repairing or replacing any covered part that is defective or is the result of improper workmanship. Any repair or replacement must be completed by **AGBUILT** or approved by **AGBUILT** in writing prior to repair work being completed or it will not be covered by this warranty.

Covered parts must be returned to **AGBUILT** within thirty (30) days of the date that such defect or improper workmanship should have been discovered.

AGBUILT reserves the right to either inspect the product at the buyer's location or have it returned to the factory for inspection.

Parts must be returned through the selling representative and the buyer must prepay transportation charges.

AGBUILT will not be responsible for repairs or replacements that are necessitated, in whole or part by the end user using parts not manufactured by or obtained from **AGBUILT**. Any alteration or addition to the hammer mill not authorized by **AGBUILT** will void this warranty.



Under no circumstances are component parts warranted against normal wear and tear. There is no warranty on mill screens, hammers, or other components that require replacement as part of normal maintenance.

The purchaser is solely responsible for determining suitability of goods sold. This warranty is expressly in lieu of all other warranties expressed or implied in contract or by statute.

AGBUILT will in no event be liable for any incidental or consequential damages whatsoever. Nor for any sum in excess of the price received for the goods for which liability is claimed.

What is Not Covered

Under no circumstances does this limited warranty cover any components or parts that have been subject to the following: negligence; alteration or modification not approved by **AGBUILT**.

Misuse; improper storage; lack of reasonable and proper maintenance, service, or repair; normal wear; damage from failure to follow operating instructions; accident; and/ or repairs that have been made with parts other than those manufactured, supplied, and or authorized by **AGBUILT**.

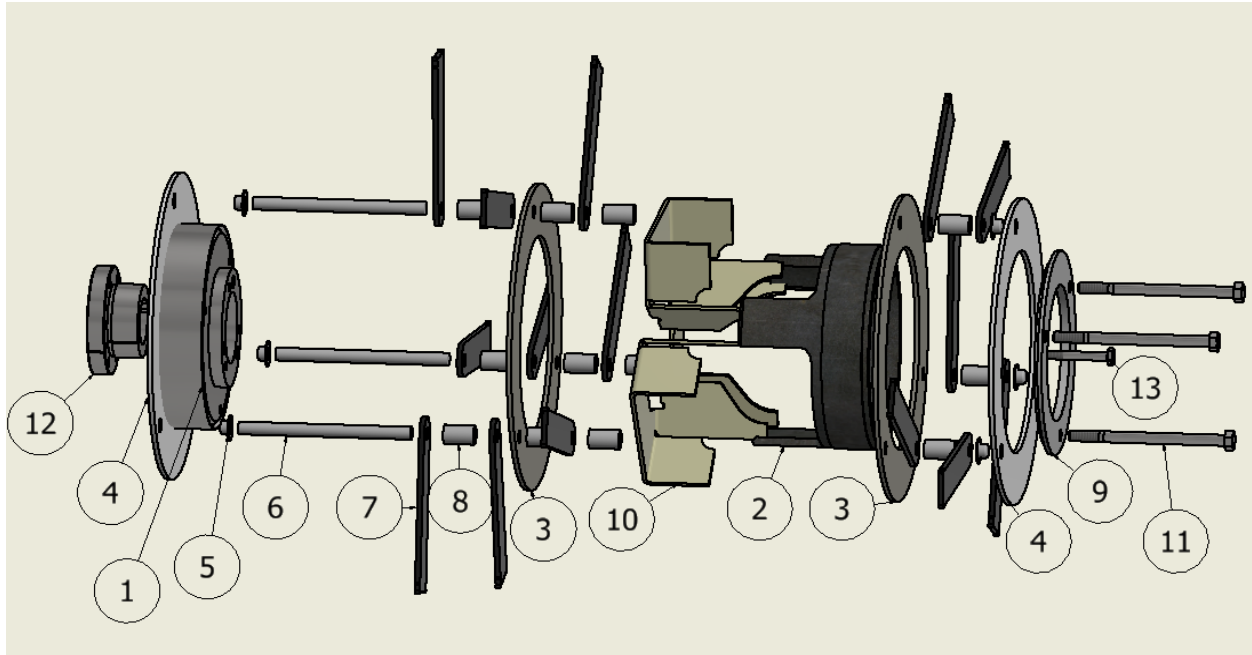


PRODUCT RATE CHART

Screen		Horsepower			
Hole Size	Rate	10	15	20	30
3/32	LB/MIN	34	53	71	108
	Microns	455	490	525	580
1/8	LB/MIN	48	73	99	150
	Microns	535	580	630	710
5/32	LB/MIN	52	81	109	166
	Microns	620	655	725	785
3/16	LB/MIN	58	89	121	184
	Microns	710	730	760	805
1/4	LB/MIN	72	113	174	258
	Microns	780	820	990	1085
3/8	LB/MIN	86	134	182	278
	Microns	1000	1050	1100	1250



HUB PARTS





Hub Parts

PARTS LIST			
ITEM	QTY	PART NUMBER	DESCRIPTION
1	1	1110-003	HUB BACK PLATE SD
2	1	1110-004	HUB CROWN
3	2	1110-005	HUBRING 9. OD5.943IDx.376
4	2	1110-002	HUBRING 9. 5OD.941ID x .430
5	6	1110-010	MILL HUB CAP
6	3	1110-008	HUB PIN
7	15	1110-007	MILL HAMMER
8	12	1110-009	HUB SPACER
9	1	1110-006	HUB HOLD DOWN PLATE
10	3	1110-001	DIVERTER
11	4	5110-001	Hex Bolt - UNC (Regular Thread - Inch)
12	1	5110-002	SD BUSHING1.375
13	3	AS 2465 - 1/4 x 2 UNC	Unified hexagon bolts, screws and nuts (UNC and UNF threads)

AGBUILT

