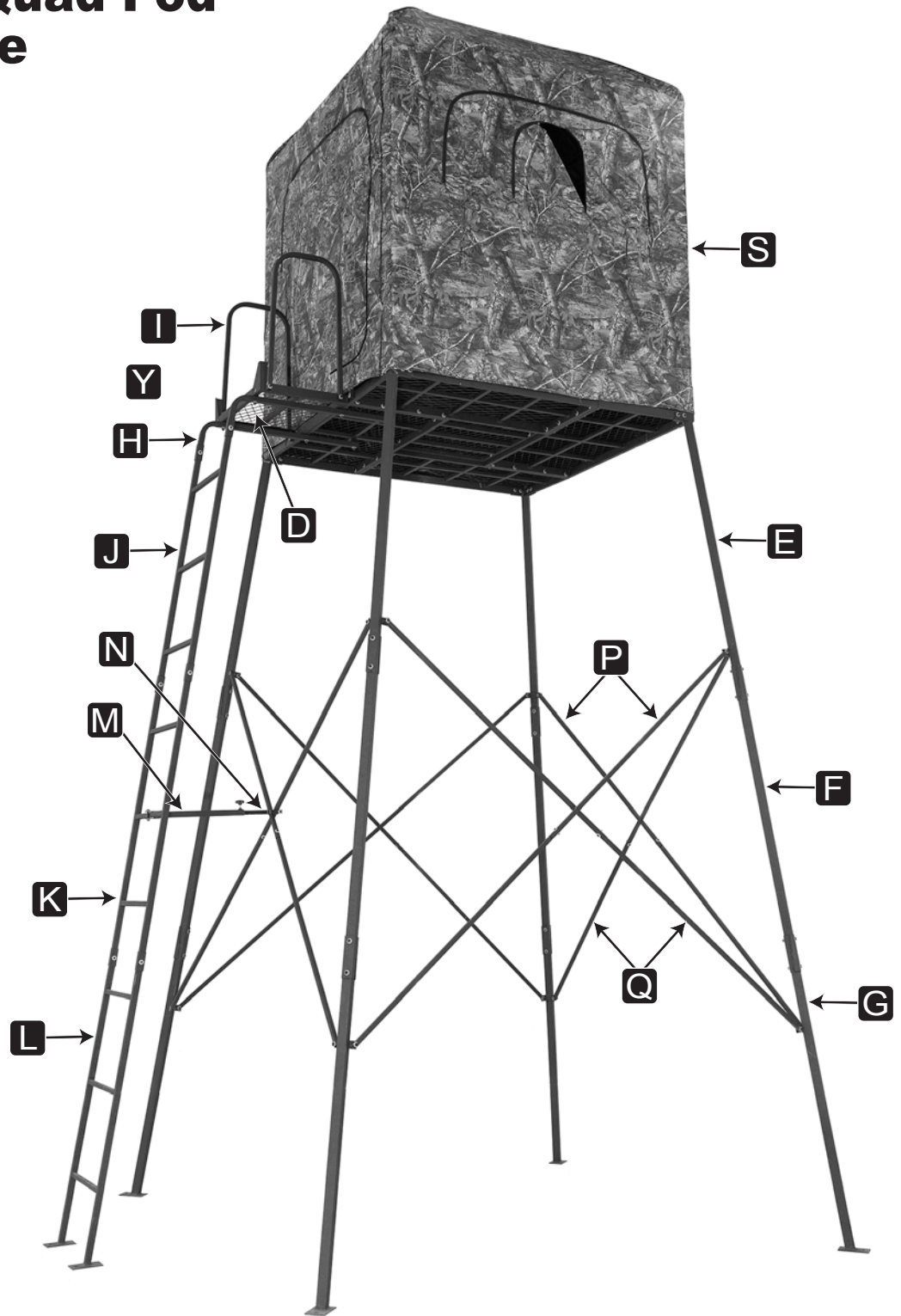


Garrison 12' Quad Pod with Enclosure MODEL: PVTS-812



Thank you very
much for choosing



We appreciate
your business!



WARNING

SAFETY MUST BE YOUR FIRST PRIORITY WITH THIS PRODUCT

Every year serious injury or death can occur from hunting related accidents. To ensure your safety, please completely read and follow this safety manual and all warning labels before assembling, installing or utilizing this product.

Do not use this product before fully understanding all safety warnings and instructions. If you have questions, are unsure about any information or need additional information concerning your product, contact our customer service department at 1-866-972-6168 or visit www.Primaltreestands.Com. Keep and maintain this safety and instruction manual in a safe location for future reference.

Quad Pod Safety Warnings

Please read the following instruction manual and warning labels completely before utilizing this product. Failure to understand and execute the instructions and warnings may result in serious injury or death. In the event of an accident, have a plan for rescue, including the use of devices that may be easily reached while suspended.

ALWAYS read and understand all warnings and instructions including assembly, installation etc., before each use of this product. Failure to read and understand all warnings and instructions may result in serious injury or death. Contact a Customer Service Representative with any questions you may have.

NEVER exceed total weight limit of **500 lbs.** **DO NOT** use if your combined weight with all of your hunting gear and any accessories exceeds **500 lbs.** Use of Quad Pod over the weight limit may result in serious injury or death.

DO NOT use this Quad Pod while under the influence of alcohol, medication or any illegal substances. Use of Quad Pod while under the influence of any of these substances may result in serious injury or death.

NEVER use this Quad Pod during inclement weather. **DO NOT** use Quad Pod during thunderstorms, snowstorms, hurricanes, tornadoes or any other weather conditions that include (but are not limited to) lightning, icy conditions, or high winds that could create slippery or dangerous situations. End your hunt and return to the ground if inclement weather conditions arise.

NEVER use Quad Pod if you are feeling ill, nauseous, dizzy or if you have a prior condition that could cause a problem. e.g., heart condition, joints that lock-up spinal fusions, etc., or if you are not well rested and alert. Physical ailments can reduce your ability to safely install, utilize, and remove your Quad Pod. Please consult a physician prior to use.

NEVER use this Quad Pod if you have a history of health problems such as (but are not limited to) heart problems, back problems, high blood pressure, impaired vision, equilibrium impairments, are afraid of heights, have been advised by a doctor or physician not to climb. If you are not physically fit, well rested and alert, or if you have any other physical or mental condition that would impair your ability to properly use this Quad Pod.

NEVER jump or bounce on the Quad Pod's platform or ladder sections. Instead, step firmly on the first rung of the bottom ladder section to set the ladder into the ground before proceeding to climb the ladder.

NEVER transport any of your equipment with yourself while ascending or descending the ladder. You will need to have two hands free during ascending and descending for safety. Use a haul line to pull up your firearm (unloaded, chamber opened with safety lock engaged, barrel facing towards the ground), bows, arrows, knives or any other equipment to your Quad Pod once you have reached your desired hunting height. Prior to descending, lower your equipment on the opposite side of the Quad Pod from which you are climbing. Make sure that the unloaded firearm's safety lock is engaged and the gun barrel is pointing towards the ground.

ALWAYS hunt with a plan and a buddy. Before you leave home, let others know your exact location, when you plan to return and who is with you.

ALWAYS carry emergency signal devices such as a cell phone, walkie-talkie, whistle, signal flare, PLD (personal location device) and flashlight with you at all times and within reach. Watch for changing weather conditions. In the event of an accident, remain calm and seek help immediately.

ALWAYS inspect the Quad Pod for signs of wear or damage **BEFORE** each use. Also inspect to ensure that nuts and bolts are secure. Destroy all products that cannot be repaired by the manufacturer. Contact a Customer Service Representative for replacement parts.

NEVER modify your Quad Pod in any way by making repairs, replacing parts, or altering, adding or attaching anything to it except if explicitly authorized in writing by the manufacturer. Improper installation or adjustment may cause serious injury or death. Remove all contents from box. Inspect for any damaged or missing parts. If any parts are missing or damaged, you must only use certified replacement parts. Using any other replacement parts will void product warranty. **THERE ARE NO EXTRA PARTS.** All parts **MUST** be used to ensure the safety of you and your stand. If you think parts are missing or damaged, **STOP IMMEDIATELY** and contact our Customer Service Department. Using the Quad Pod with missing or damaged parts may result in serious injury or death. **DO NOT** return this product to the retailer. Contact a Customer Service Representative if you have any missing, damaged or extra parts.

ALWAYS keep instructions in a safe place and review before each use. It is the responsibility of the Quad Pod owner to furnish the complete instructions to anyone who borrows or purchases the Quad Pod from you.

Quad Pod Safety Warnings

NEVER use this Quad Pod for any use other than hunting.

NEVER use this Quad Pod for trimming trees.

NEVER fall asleep in Quad Pod as you may fall out resulting in serious injury or death.

ALWAYS be sure to re-tighten all bolts **BEFORE** each new use of Quad Pod.

ALWAYS have a minimum of three people present when installing or removing this Quad Pod.

NEVER adjust the Quad Pod while in use.

ALWAYS inspect every ladder section connection every time you use the stand before you leave the ground. If ladder sections are separating, with the help of at least two other people, lower the Quad Pod to the ground, make adjustments, and reinstall.

ALWAYS check the ground below the Quad Pod to make sure it is firm and level. Sloping ground or uneven terrain (one side of a rock or root) can cause your Quad Pod to tilt or shift.

ALWAYS maintain three points of contact when climbing the Quad Pod. (Two feet and one hand **or** one foot and two hands.)

DO NOT leave your Quad Pod outside since weather or animals may cause damage. It must be stored inside when not in use.

NEVER wear jewelry or loose fitting clothing, which can cause hazardous conditions. Clothing may be caught in your equipment and cause you to fall. You must always wear non-slip or rubber boots. Shoelaces must be tucked into your boots. Rings and necklaces **MUST NOT** be worn.

NEVER let children use this Quad Pod without adult supervision. This Quad Pod is not a toy. No one under the age of 18 should attempt to use this product without direct adult supervision.

DO NOT use Quad Pod if any nuts or bolts or parts are loose, bent, or crooked.

ALWAYS know your physical limitations. Don't take chances. If you start thinking about how high you are, don't go any higher. Instead, choose a minimum height that will allow for safe, effective and comfortable hunting.

ALWAYS lean **forward towards the ladder** as you climb. **NEVER** lean out from the Quad Pod for any reason.

Be aware that falls can occur at anytime after leaving the ground.



WARNING

Maximum Tested Weight Capacity Limit for this product is 500 POUNDS (This INCLUDES Accessories, Gear and Attire). **DO NOT** Exceed tested weight limit capacity.



YOU MUST READ AND FOLLOW ALL INSTRUCTIONS PRIOR TO INSTALLATION



NEVER remove any safety warning stickers from this product.

Safety must be your first priority during the use of this product.



Garrison 12' Quad Pod with Enclosure

MODEL: PVTS-812

- Weight Limit: 500 lbs.
- Do Not Over Tighten Fasteners

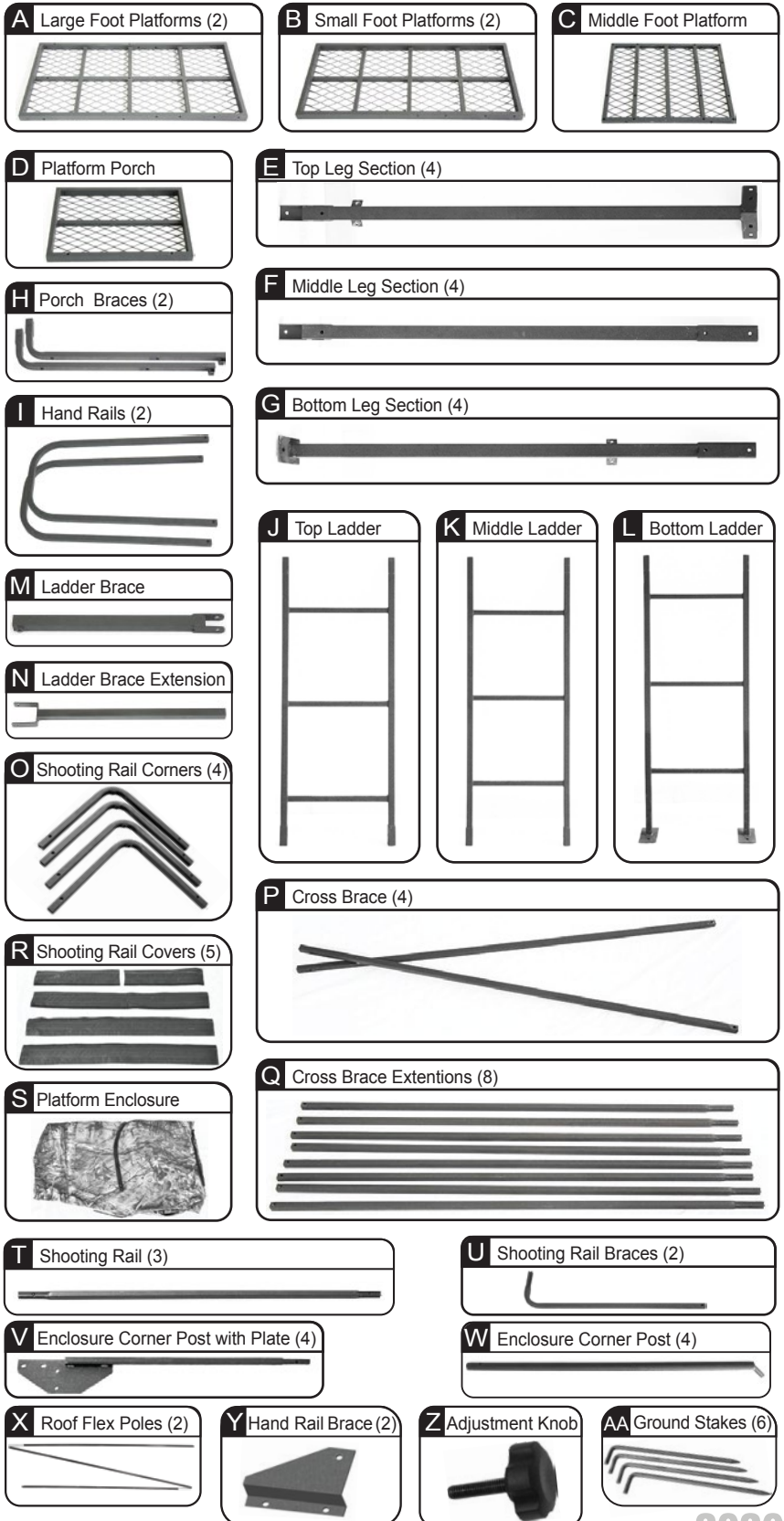


Parts List

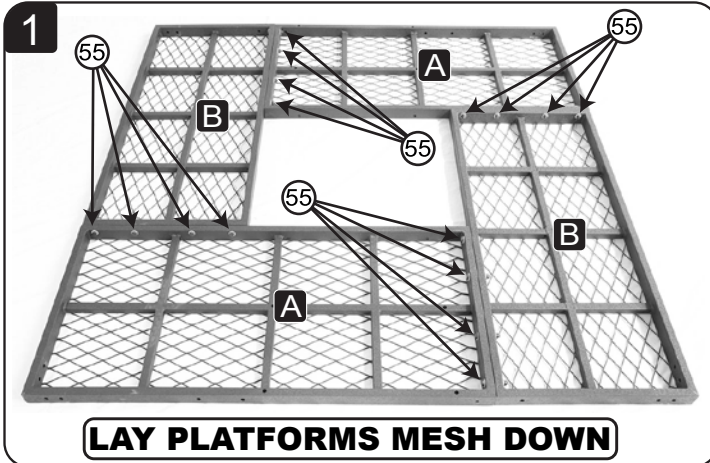
- A** 2 Large Foot Platforms Part # PLFP-812
- B** 2 Small Foot Platforms Part # PSMP-812
- C** 1 Middle Foot Platform Part # PMFP-812
- D** 1 Platform Porch Part # PPP-812
- E** 4 Top Leg Section Part # PTL-812
- F** 4 Middle Leg Section Part # PML-812
- G** 4 Bottom Leg Section Part # PBL-812
- H** 2 Porch Braces (2) Part # PPB-812
- I** 2 Hand Rails Part # PHR-812
- J** 1 Top Ladder Part # PTL-812
- K** 1 Middle Ladder Part # PML-812
- L** 1 Bottom Ladder Part # PBL-812
- M** 1 Ladder Brace Part # PLB-812
- N** 1 Ladder Brace Extension Part # PBE-812
- O** 4 Shooting Rail Corners Part # PSRC-800
- P** 4 Cross Brace Part # PCB-812
- Q** 8 Cross Brace Extension Part # PCBE-812
- R** 5 Shooting Rail Covers Part # PSRX-812
- S** 1 Platform Enclosure Part # PPE-812
- T** 3 Shooting Rail Part # PSR-800
- U** 2 Shooting Rail Braces Part # PSRB-812
- V** 4 Enclosure Corner Post w/ Plate . . Part # PCPP-812
- W** 4 Enclosure Corner Post Part # PECP-800
- X** 2 Enclosure Roof Flex Poles Part # PEFP-812
- Y** 2 Hand Rail Braces Part # PHRB-812
- Z** 1 Adjustment Knob Part # AK-100
- AA** 6 Ground Stakes Part # PGS-800

Hardware Box P/N 812H

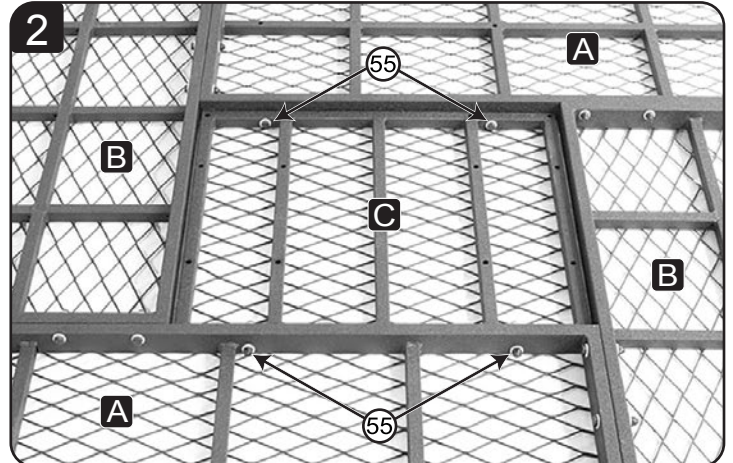
- 25** 8 M6 x 25mm Bolts Part # 1025
- 30** 8 M6 x 30mm Bolts Part # 1030
- 35** 4 M6 x 35mm Bolts Part # 1035
- 40** 6 M6 x 40mm Bolts Part # 1030
- 50** 4 M6 x 50mm Bolts Part # 1050
- 70** 1 M6 x 70mm Bolts Part # 1070
- 35** 18 M8 x 35mm Bolts Part # 1235
- 45** 17 M8 x 45mm Bolt Part # 1248
- 55** 28 M8 x 55mm Bolts Part # 1255
- 60** 16 M8 x 60mm Bolts Part # 1259
- 80** 6 M8 x 80mm Bolts Part # 1265



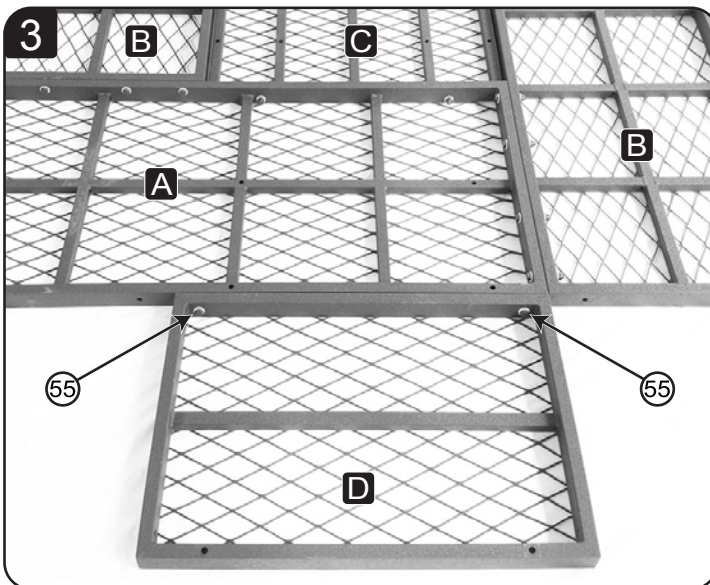
Remove all contents from packaging and make sure all parts are present before attempting to assemble. Tighten all bolt connections by hand first and then when fully assembled, go back and tighten with a wrench.



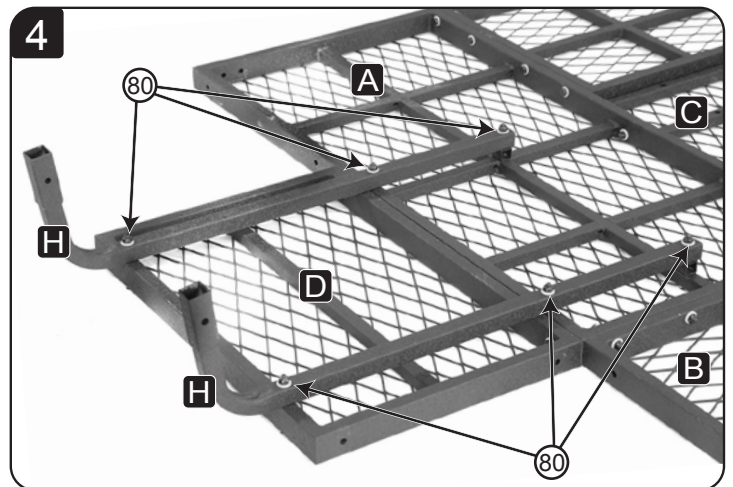
1 Lay out Foot Platforms **A** & **B** (MESH DOWN), opposite one another (as shown above). Line up 4 connection holes where each Platform Section meets and secure each hole using **16-M8 x 55mm bolts** (55).



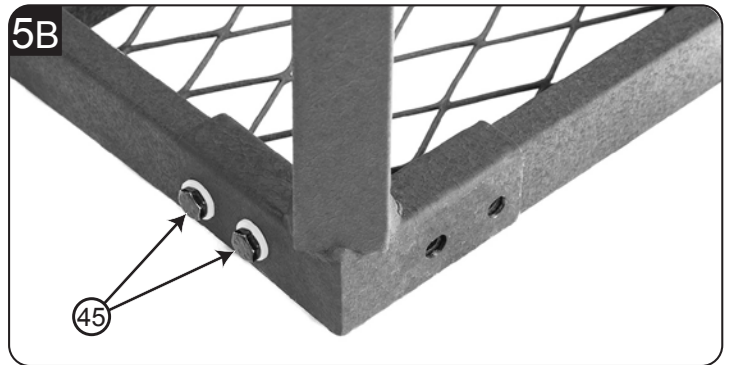
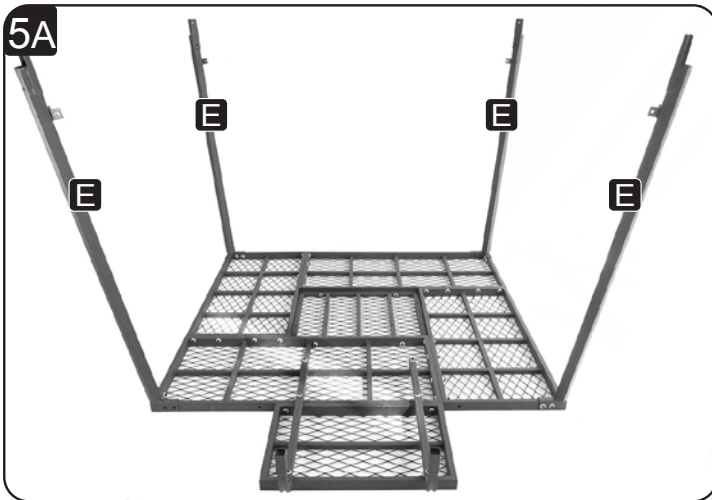
2 Lay the Middle Foot Platform **C** in the center of the Foot Platform assembly (mesh side down) with the four holes lined up and secure each hole using **4-M8 x 55mm bolts** (55).



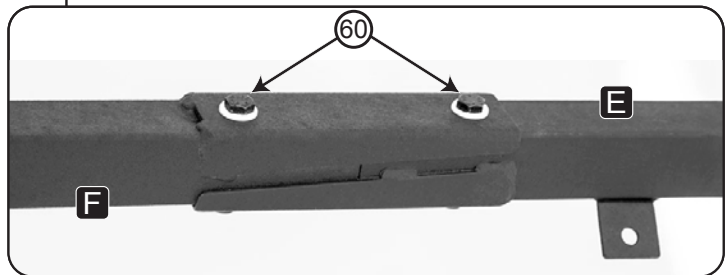
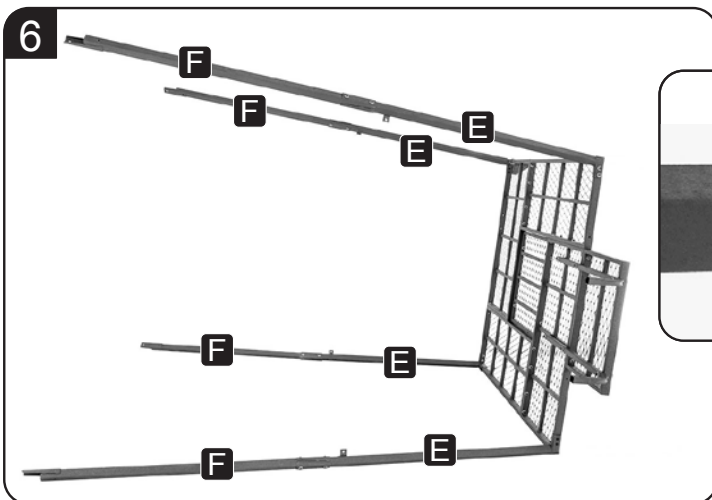
3 Lay the Platform Porch **D** mesh side down so the holes align with the Foot Platform Assembly and secure the Platform Porch to the Platform using **2-M8 x 55mm bolts** (55).



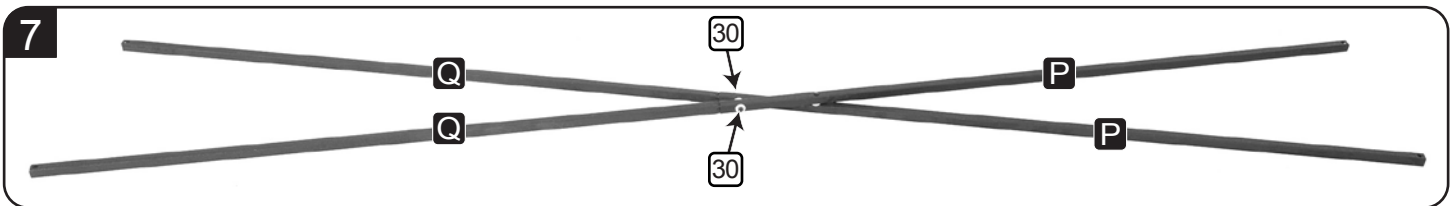
4 Lay the Porch Braces **H** on top of the Platform Assembly so the holes align and secure the using **6-M8 x 80mm bolts** (80).



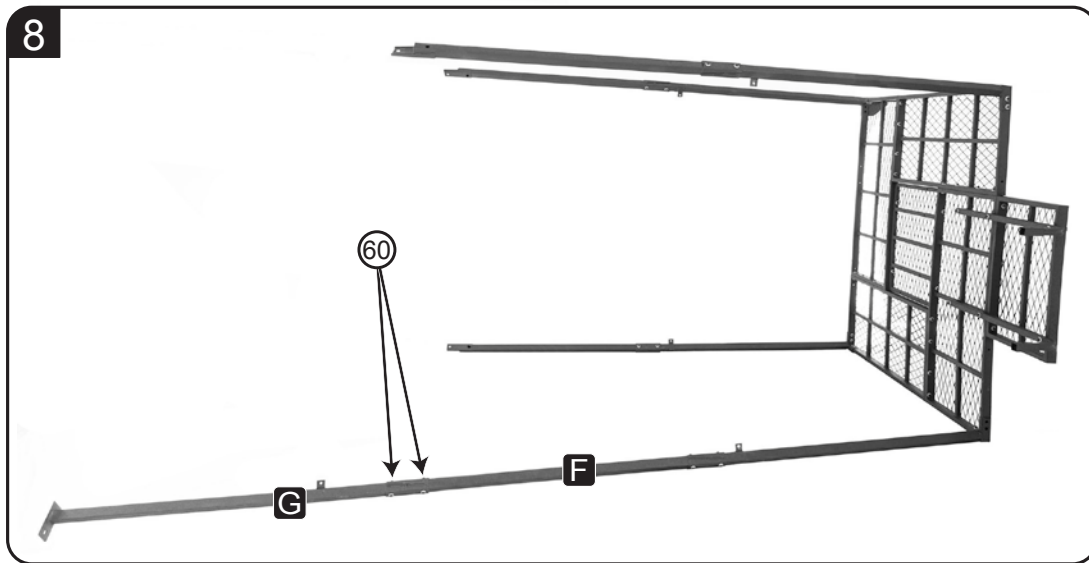
5 Attach the Top Leg Sections **E** to the foot platform assembly using only **8-M8 x 45mm bolts** (45) on the left side of each corner as shown in **5B**



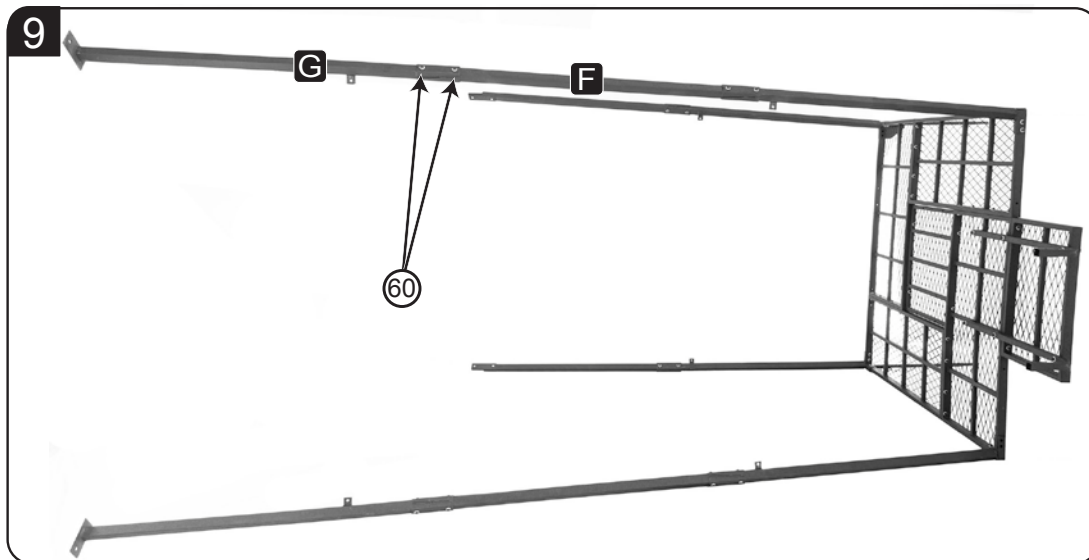
6 With the help of a friend flip still on its side, attach the Middle Leg Sections **F** to the bottom of the Top Leg Sections **E** using **2-M8 x 60mm bolts** (60) per leg.



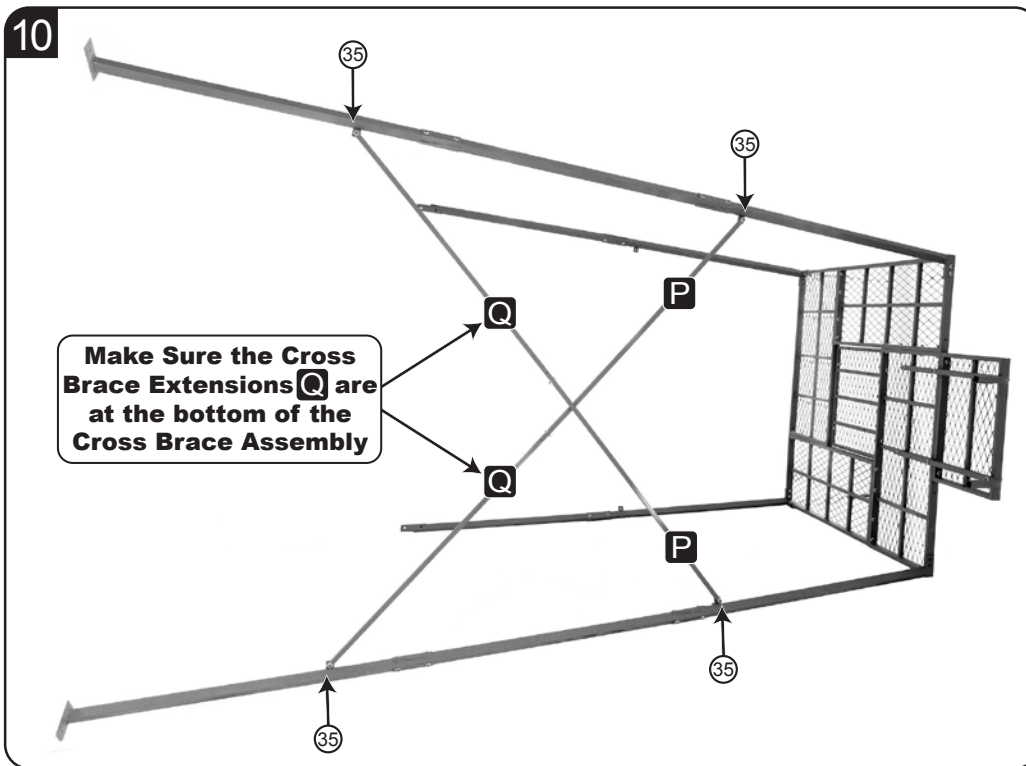
7 Attach 2 Cross Brace Extensions **Q** to each Cross Brace **C** using **2-M8 x 60mm bolts** (30) per Cross Brace **C**.



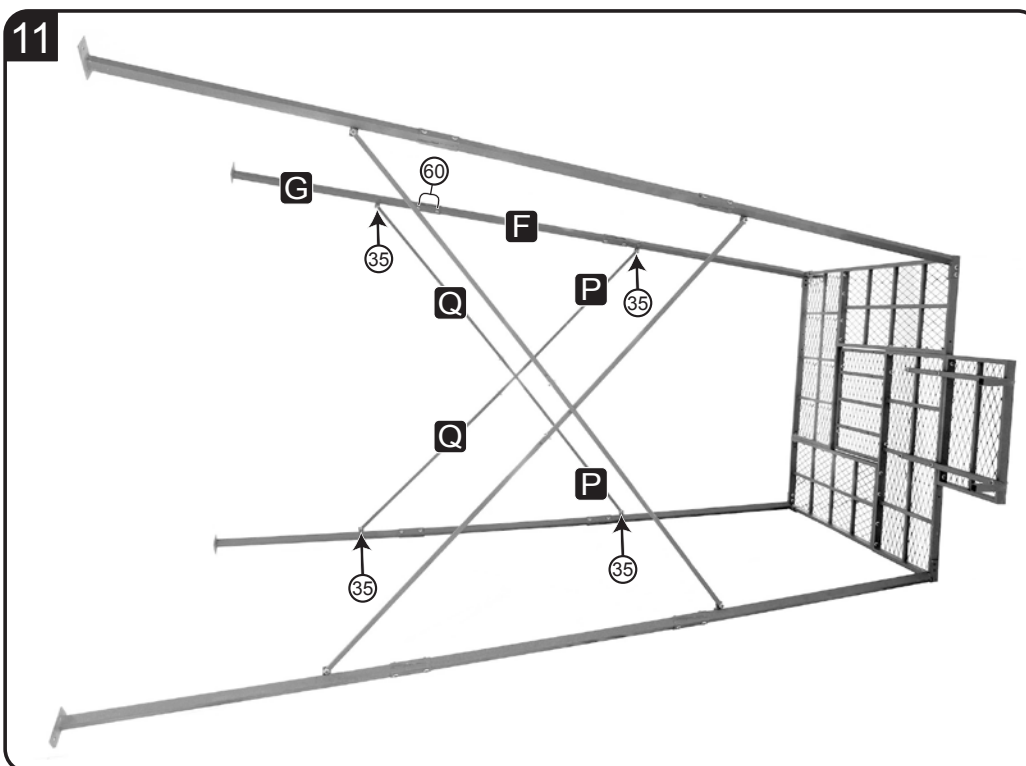
8 Starting with a leg that is against the ground, attach a Bottom Leg Section **G** to the bottom of the Middle Leg Section **F** using **2-M8 x 60mm bolts** (60).



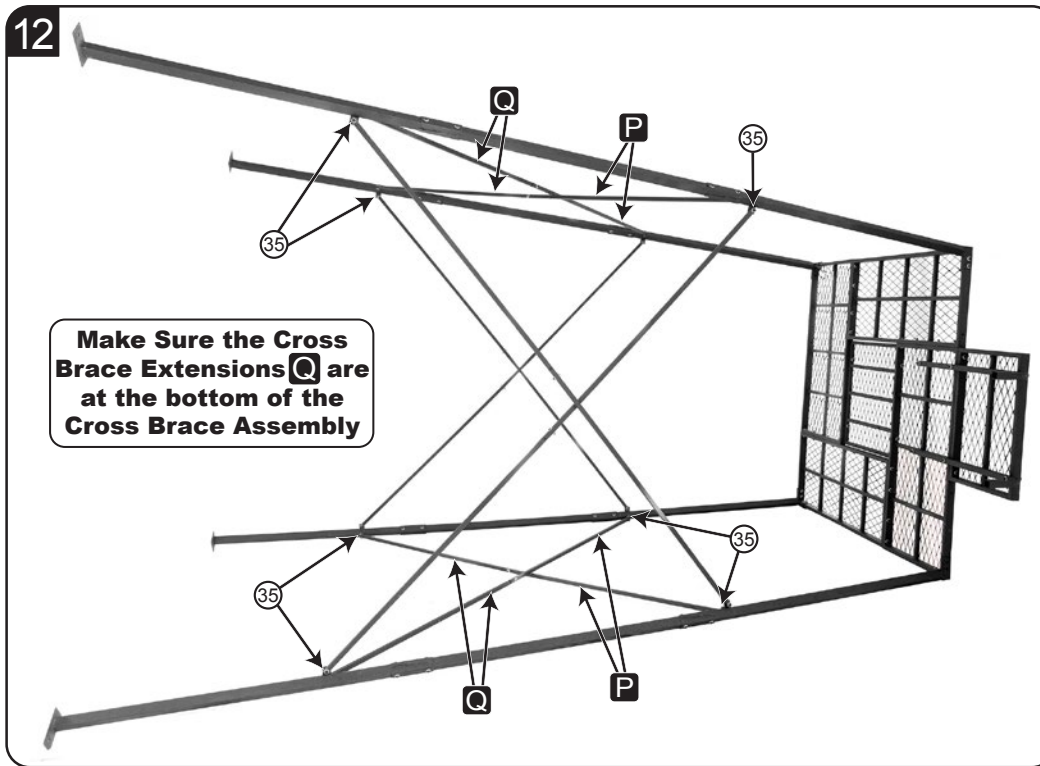
9 With the help of a friend attach another Bottom Leg Section **G** to the bottom of the Middle Leg Section **F** that is directly above the other fully assembled leg using **2-M8 x 60mm bolts** (60).



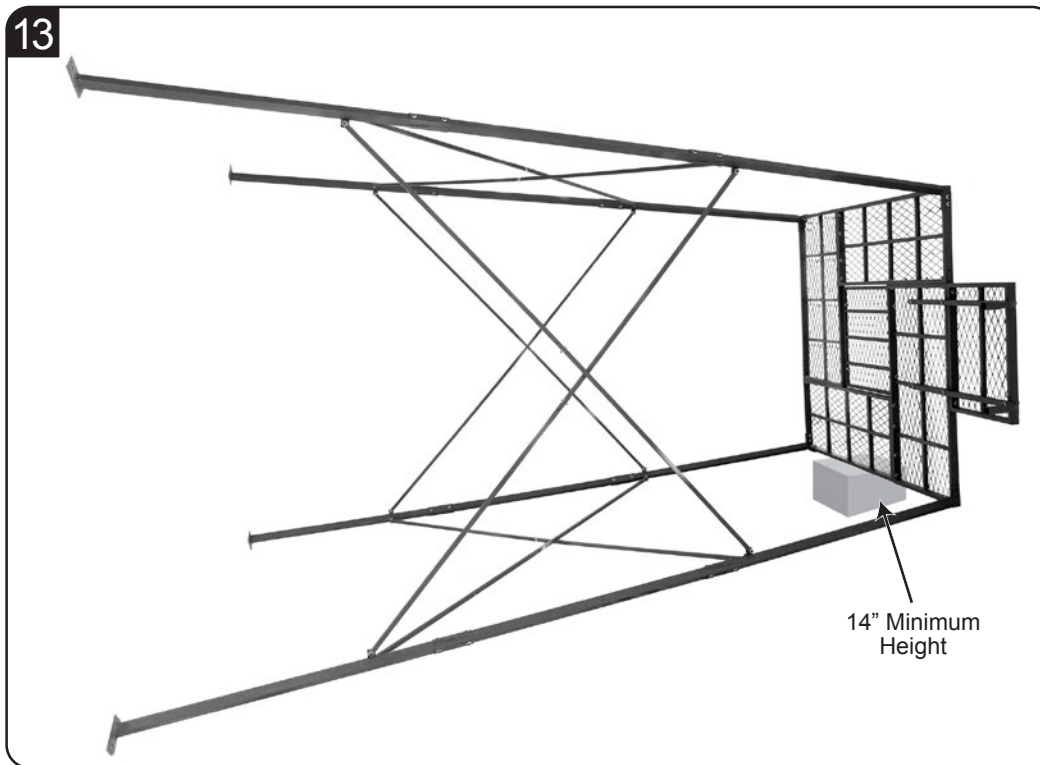
10 Attach the Cross Brace Assembly **P**/**Q** (with the Cross Brace Extensions **Q** pointing to the ground) to the Legs **from the outside** using **4-M8 x 35mm bolts** **35**.



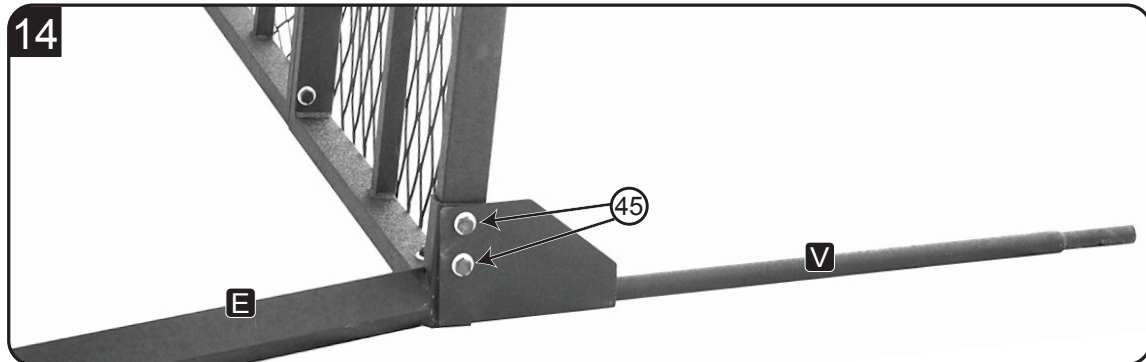
11 With the help of a friend attach the two remaining Bottom Leg Sections **G** to the bottom of the Middle Leg Sections **F** using **4-M8 x 60mm bolts** **60**.
Attach the Cross Brace Assembly **P**/**Q** (with the Cross Brace Extensions **Q** pointing to the ground) to the Legs **from the outside** using **4-M8 x 35mm bolts** **35**.



12 With the stand still on its side, attach the remaining Cross Brace Assemblies to the top and bottom of the Leg Assembly **from the outside** using **4-M8 x 35mm bolts** (35) making sure the Cross Brace Extensions **Q** are at the bottom of the Cross Brace Assembly.

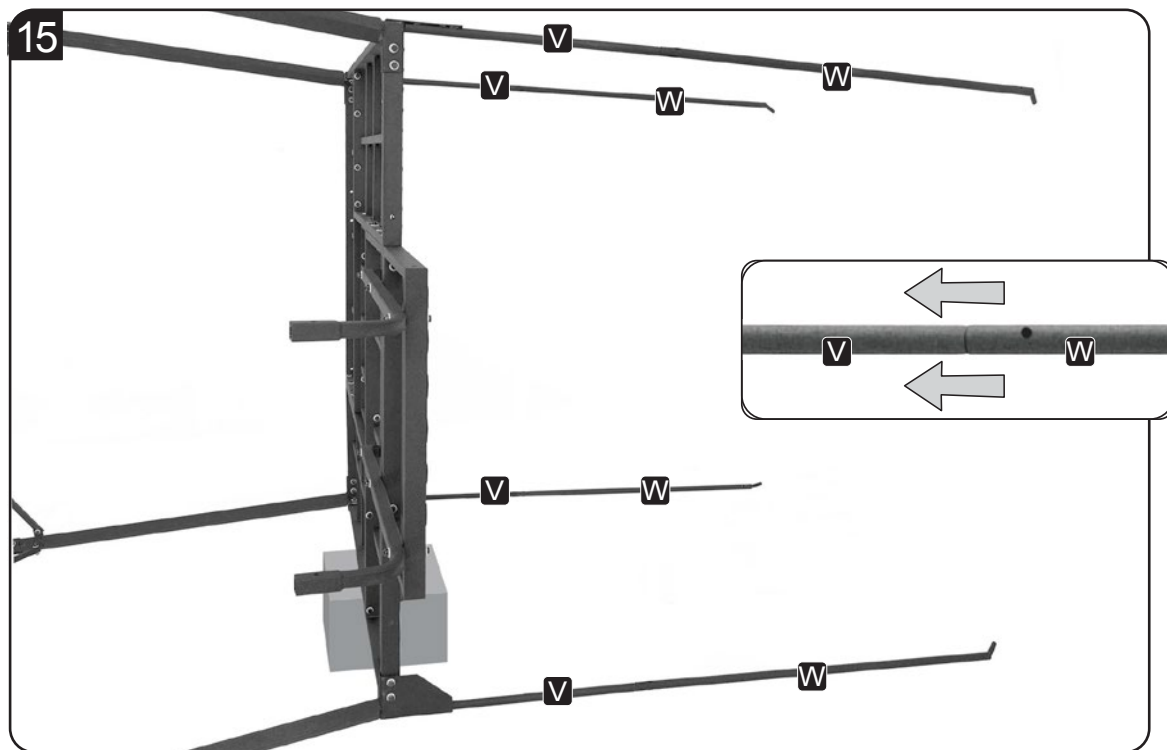


13 From this point on, the platform of the Garrison 12' Quad Pod will need to be elevated to a minimum of 14" to complete assembly. It is recommended to use something that is stable and will not tip over while supporting the Quad Pod. Examples: ice chest, milk crate, stump, etc.



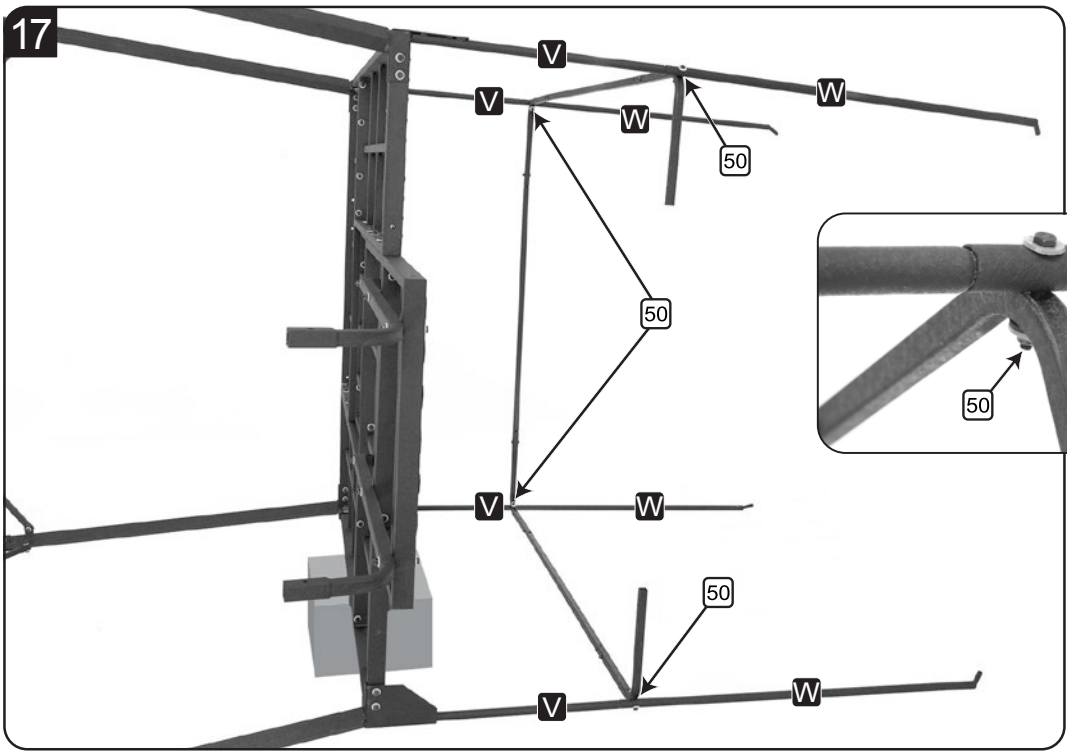
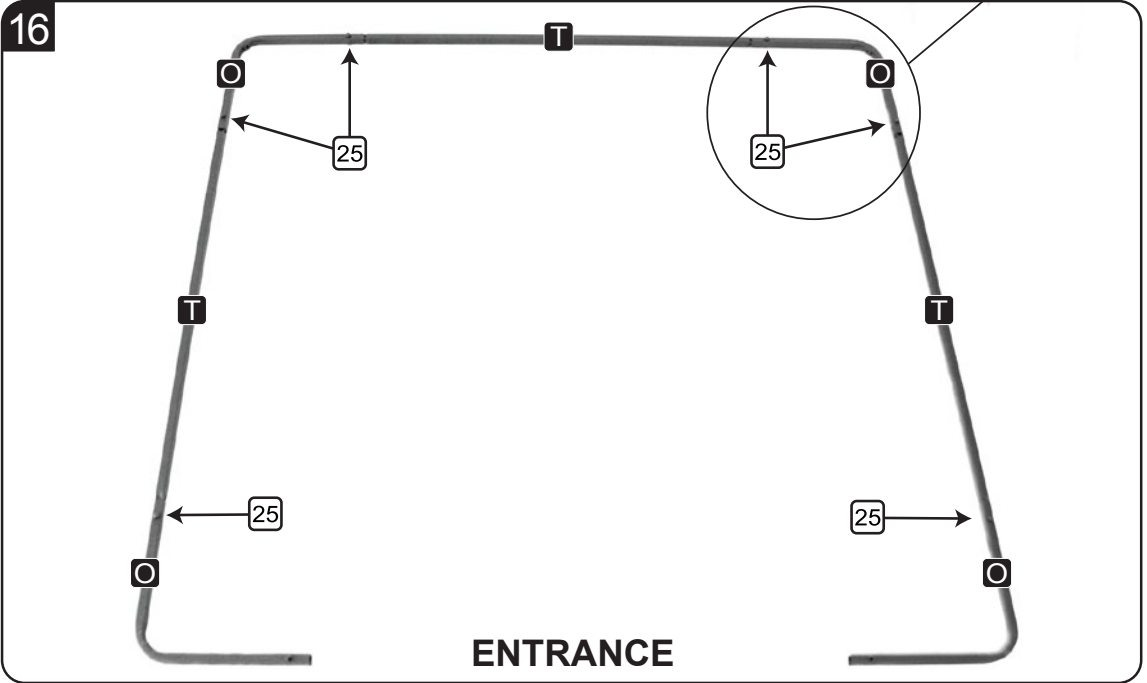
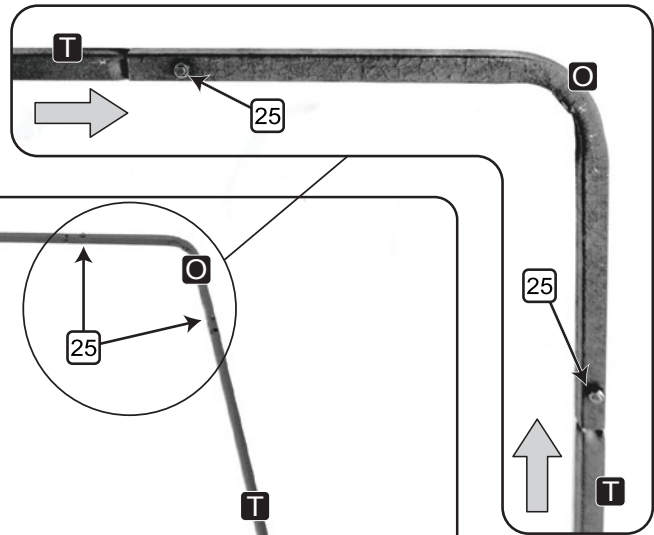
14 With the stand propped up, attach the Enclosure Corner Post with Plate **V** to each corner of the platform assembly using **2-M8 x 45mm bolts** for each corner.

6 Flip platform assembly on its side and attach the Enclosure Corner Post with Plate **V** to the other side of the Top Leg Section **E** using **2-M8 x 45mm bolts** **45** on each leg section. Hand tighten only.

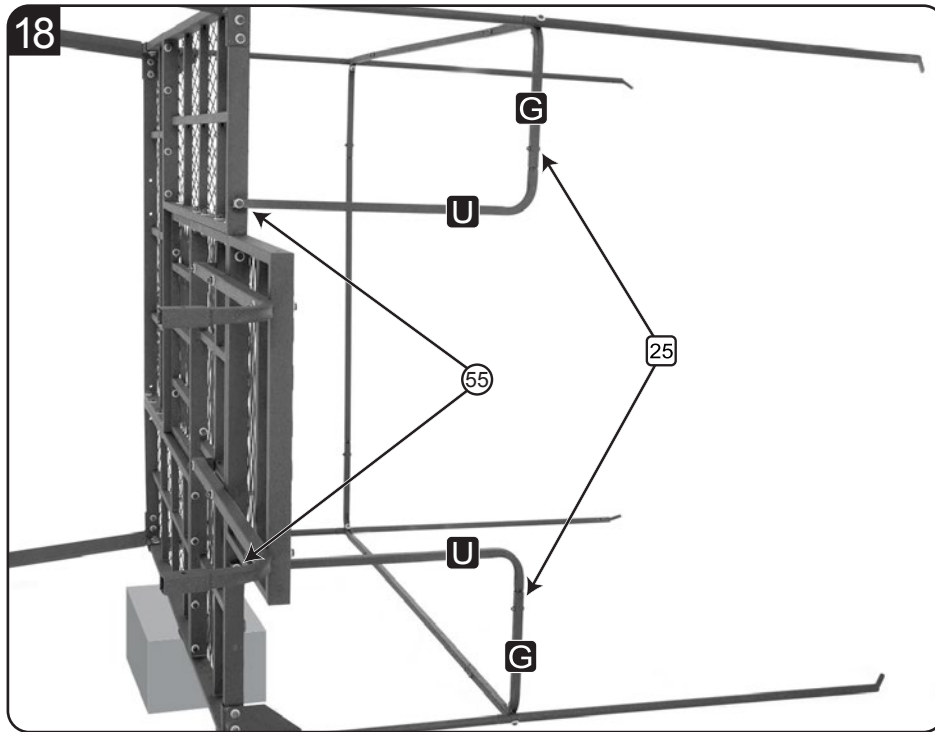


15 Slide Enclosure Corner Posts **Q** over each Corner Plates with Rail Posts **Q**, so that connection holes correctly line up and the tops are pointing towards the center of the Platform assembly.

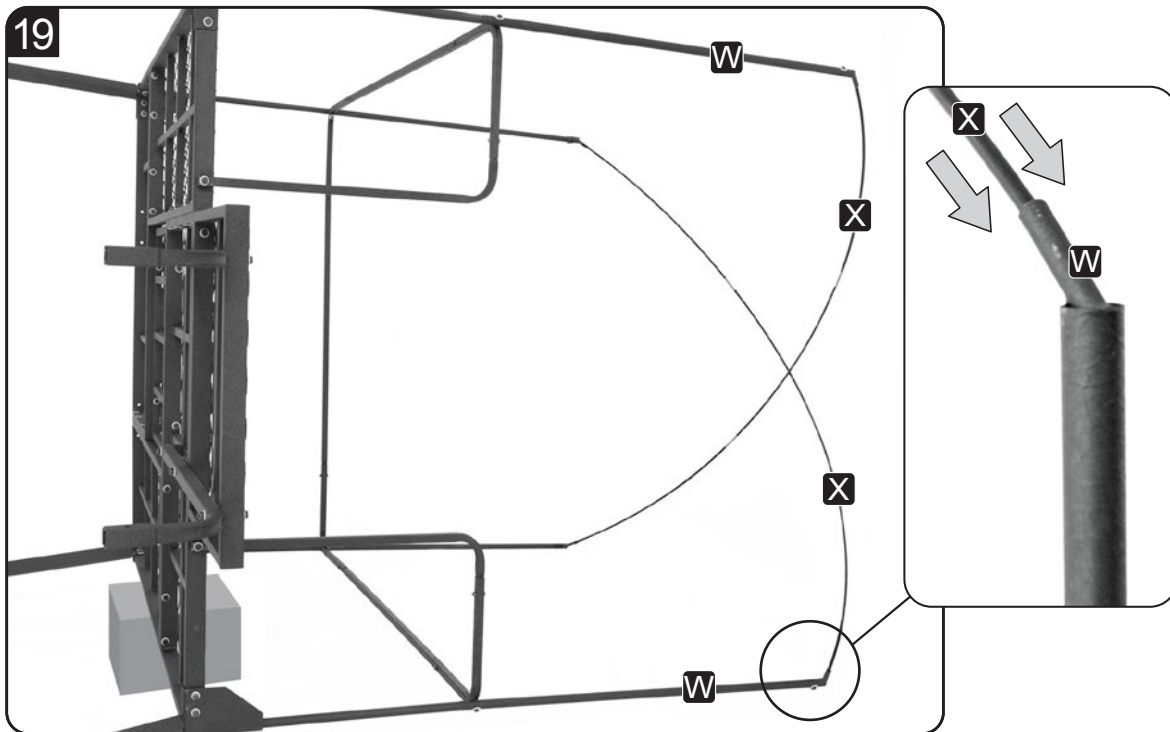
16 Slide Shooting Rail Corners **O** onto Shooting Rails **T** using **8-M6 x 25mm bolts** **25** (2 each corner). This will form the Shooting Rail assembly.



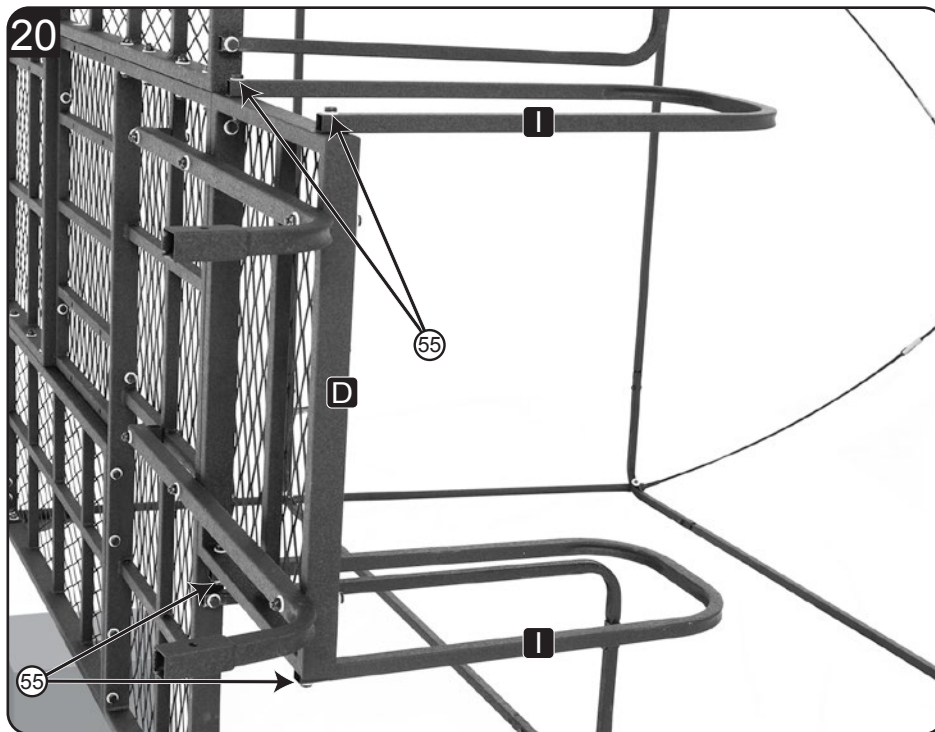
17 Attach Shooting Rail assembly to Enclosure Corner Posts using **4-M6 x 50mm bolts** **50**.



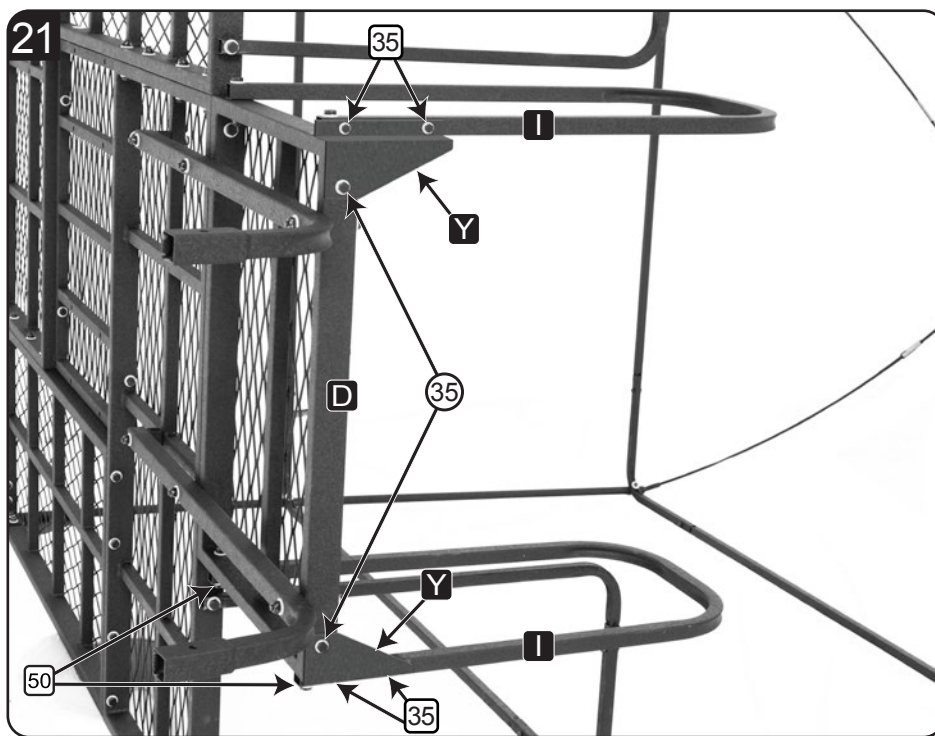
18 Attach the top top end of the Shooting Rail Braces **U** to the exposed Shooting Rail Corners **G** using **2-M6 x 25mm bolts** (25).
Attach the top bottom end of the Shooting Rail Braces **U** to the Foot Platform using **2-M8 x 55mm bolts** (55).



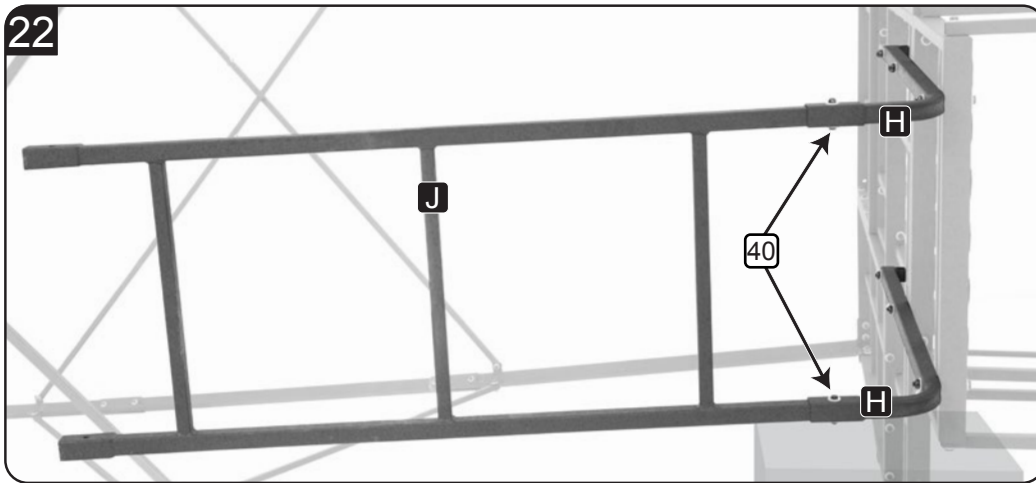
19 Assemble both Enclosure Roof Flex Poles **X** so that they snap and lock together forming two straight flexible poles, then fit each assembled pole into the top cylinder receptacles of each Enclosure Corner Post **W**. Poles should flex upward and criss-cross forming a domed arch (as shown Above).



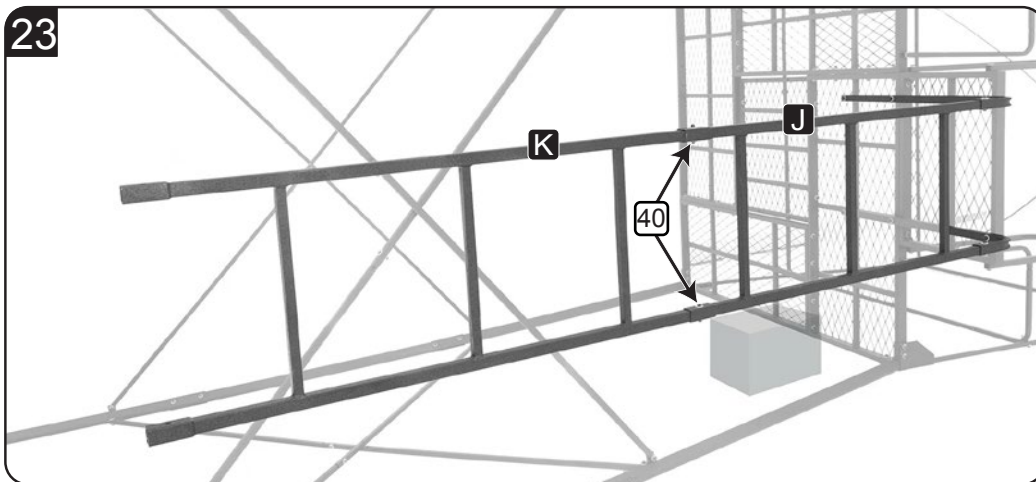
20 Attach Hand Rails **I** to the right and left side of the Platform Porch **D** using 4-M8 x 55mm bolts **55**.



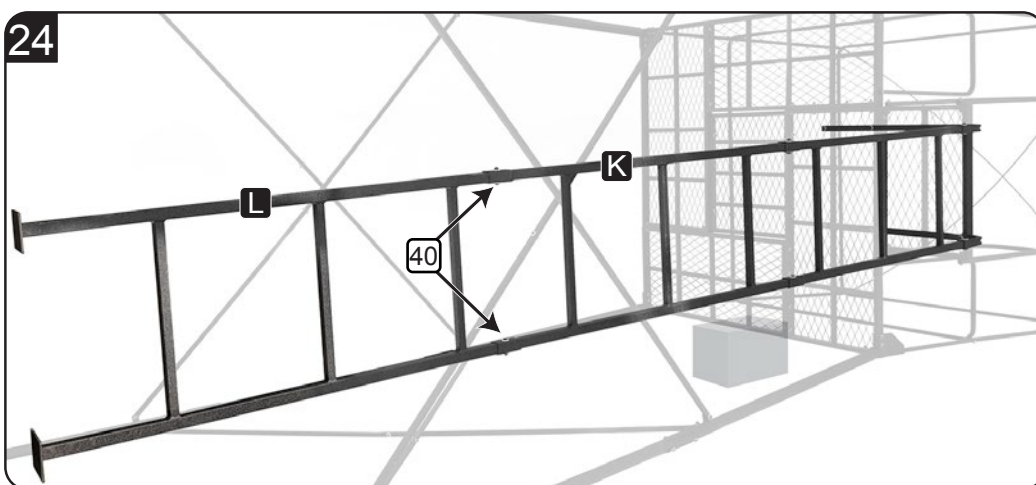
21 Attach Hand Rail Braces **Y** to the right and left side of the Platform Porch **D** using 2-M8 x 35mm bolts **35** and to the Hand Rails **I** using 4-M6 x 35mm bolts **35**.



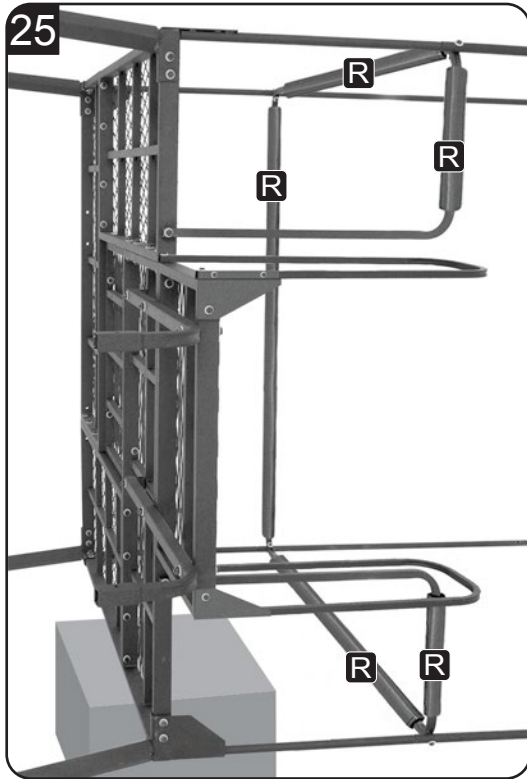
22 Attach Top Ladder Section **J** to the Porch Braces **H** using **2-M6 x 40mm bolts** **40**.



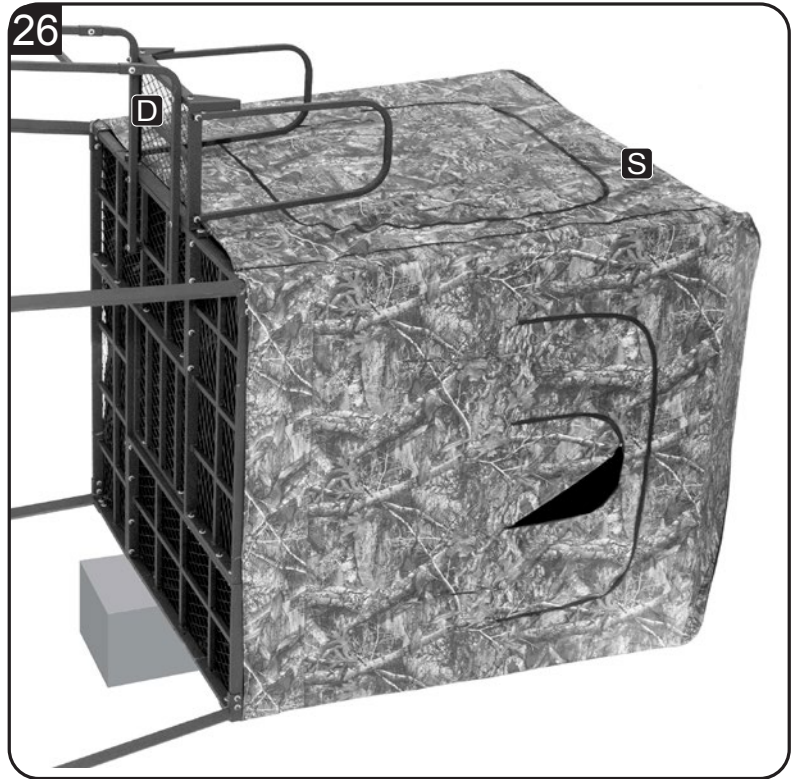
23 Insert the top of the Middle Ladder Section **K** into the bottom of Top Ladder Section **J** and secure using **2-M6 x 40mm bolts** **40**.



24 Insert the top of the Bottom Ladder Section **L** into the bottom of Middle Ladder Section **K** and secure using **2-M6 x 40mm bolts** **40**.



25 Wrap each Shooting Rail Cover **R** over each Shooting Rail **T**.



26 Unfold Platform Enclosure **S** and slide it over the platform Enclosure Roof Flex Poles **X** and Enclosure Corner Posts **W** making sure the entrance of the Platform Enclosure **S** is facing the Platform Porch **D**. Pull the material down to the base of the platform assembly on all sides.



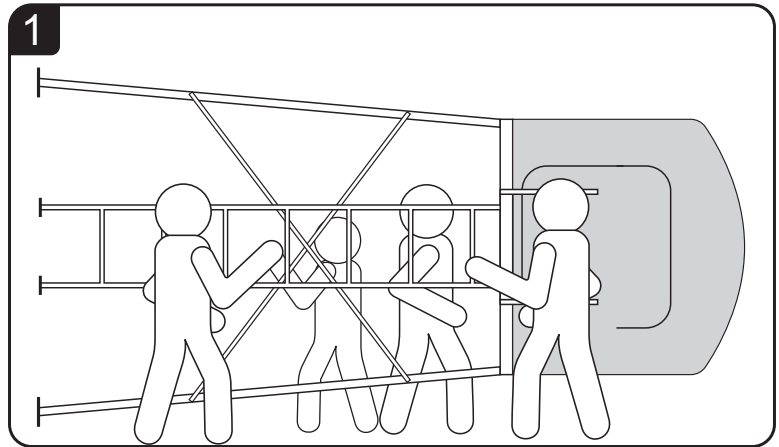
27 Once the Platform Enclosure **S** has been pulled down to the base of the platform assembly, tie the Platform Enclosure **S** to the base of the Foot Platform assembly on all sides using the ties that are attached to the bottom of the Platform Enclosure **S**.

⚠ WARNING
By attaching the Platform Enclosure **S** to the elevated platform, you are increasing the risk of wind. Make sure Ground Stakes **AA** are used correctly in final set up and installation.

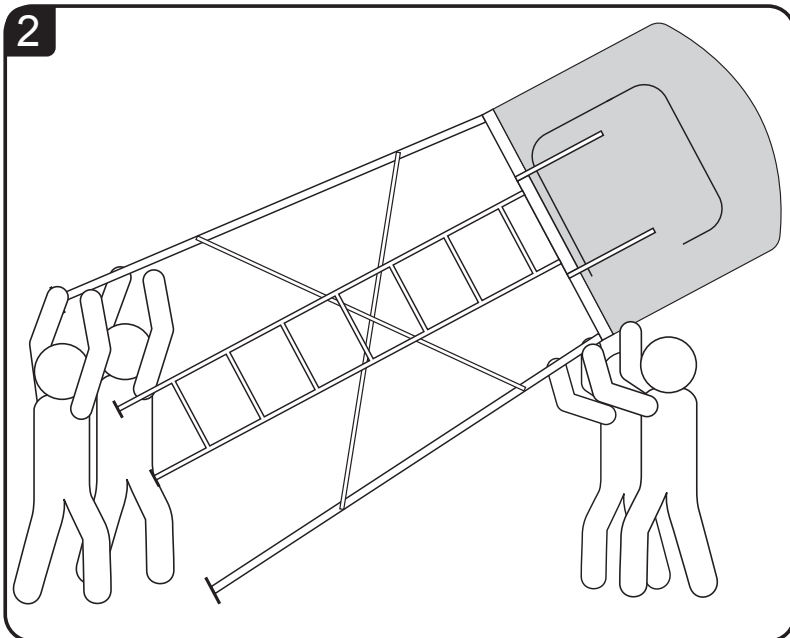
CAUTION

Check ground under stand to ensure it is firm and level. It should be set up on fairly even ground. **NEVER** on the side of a hill or any area that will create a sloping angle on the platform. This could result in platform tipping over while in use. If you are setting up the Quad Pod on slightly uneven ground, be sure to level out the ground under feet of the Quad Pod so that **ALL** feet are firmly planted and platform is as close to level as possible.

Once the Quad Pod is positioned, use the 4 Ground Stakes **AA** to secure each foot by driving one stake through the hole on each Ladder Foot.

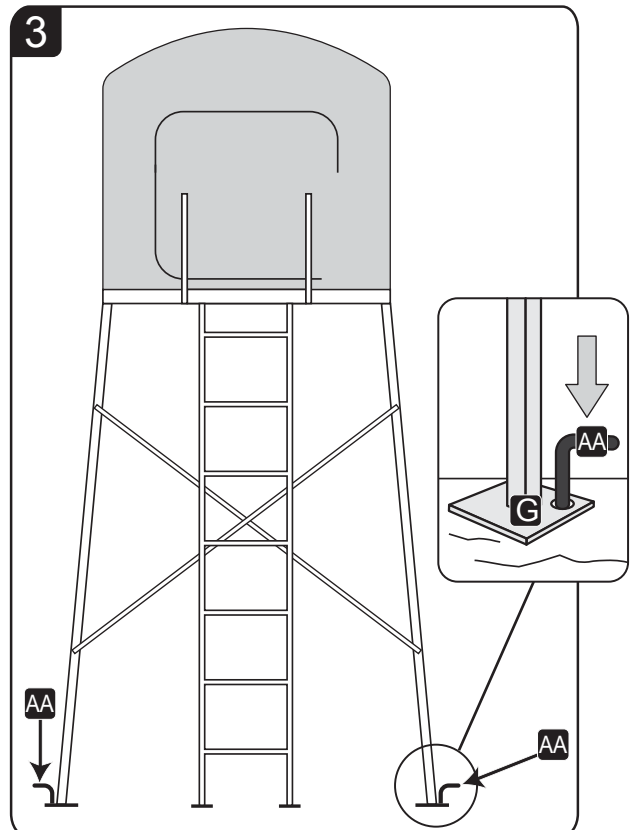


1 It will take at least 4 people to lift the Quad Pod. Place one person at each side of the Foot Platform and one person at each side at the Cross Braces.



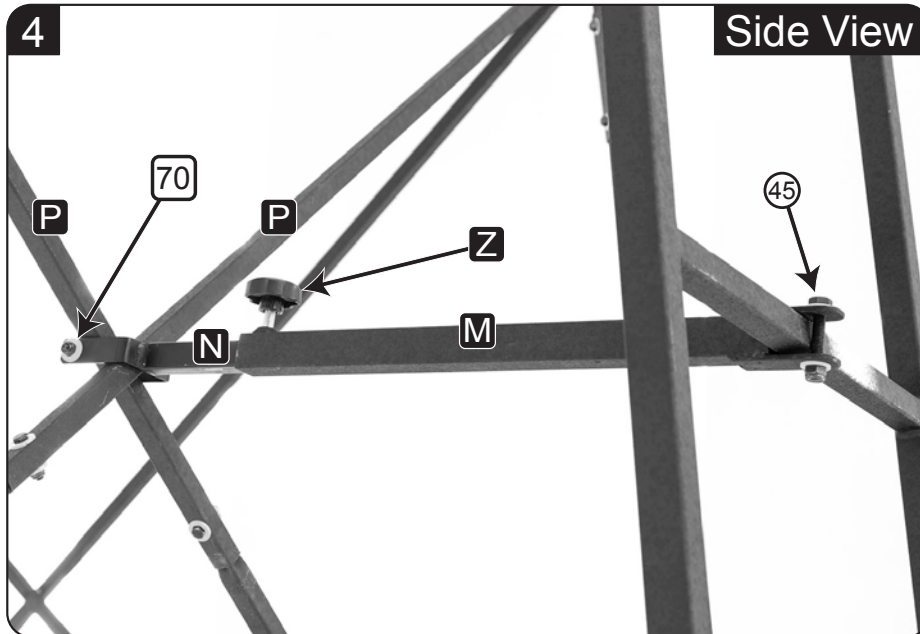
2 The two people at the Foot Platform will gently lift and slowly walk the Quad Pod upward using the side legs to guide it to a level and upright position while the two people at the Cross Braces maintain pressure on the pivoting feet to prevent sliding. **NEVER stand directly under, in front or behind Quad Pod during lifting procedure.** As the Quad Pod nears its upright position, the two people at the Cross Braces should move and pull the feet of the legs that are coming down to maintain control and gently settle it onto all four feet.

3 Once upright, inspect Quad Pod legs and feet to make sure they are all on solid, level ground. Re-Check and tighten all bolts. Finally, anchor all four legs of Quad Pod by driving Ground Stakes **AA** through the holes in each Quad Feet. Re-check to make sure Quad Pod is stable, level and secure.

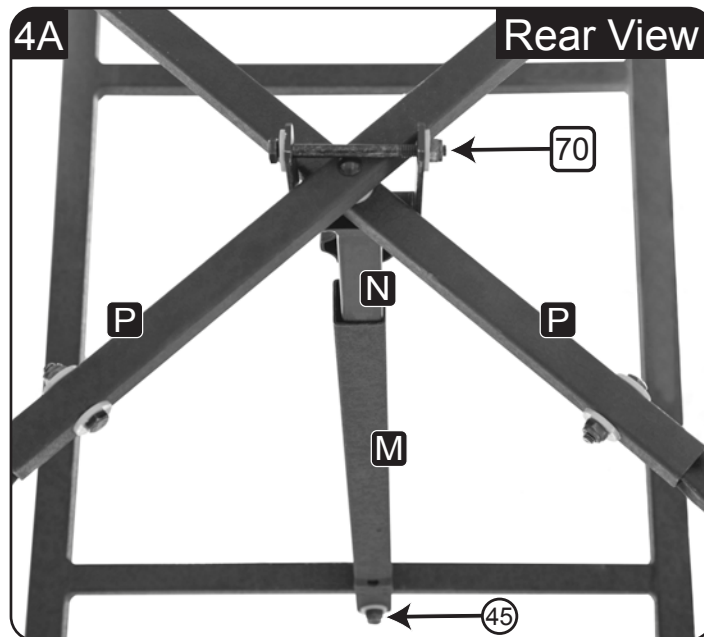


CAUTION
The Platform Enclosure **S** **WILL NOT** provide security or prevent a fall. Fall Restraints **ARE NOT** provided with this Quad Pod

NOTE:
Drawings are for illustration purposes only and may not depict actual product.



4 Insert the Ladder Brace Extension **N** into the open end of the Ladder Brace **M**. Insert the Adjustment Knob **Z** into the Ladder Brace **M**. Do not tighten. Attach the Ladder Brace **M** on the fifth rung of the ladder using **1-M8 x 45mm bolt (45)**. Extend the Ladder Brace Extension **N** out until the bracket reaches the intersection of the Cross Brace **P**. Secure the Ladder Brace Extension **N** to the Cross Brace **P** using **1-M6 x 70mm bolt (70)**. Make sure the ladder is on solid, level ground and tighten the Adjustment Knob **Z**.





WARNING

Failure to follow all warnings listed below could result in serious injury or death.

DO NOT use this Quad Pod without reading and following all warnings and instructions before each use. Failure to do so may result in serious injury or death.

ALWAYS inspect your Quad Pod before each use and **DO NOT** use if parts are missing, worn, or damaged.

DO NOT use Quad Pod if combined weight of one person and equipment exceeds **300 lbs.** or combined weight of two people and equipment exceed **500 lbs.**

NEVER stand on Quad Pod seat, footrest, armrest, or shooting rail. Standing on any of these parts may cause the Quad Pod to break or fail resulting in serious injury or death.

NEVER make any alterations or modifications to the Quad Pod. Doing so may result in serious injury or death and void all warranties.

NEVER use Quad Pod during inclement weather. **DO NOT** use Quad Pod during thunderstorms or any other weather conditions that include (but not limited to) lightning, freezing rain, high winds that could create slippery or dangerous conditions.

DO NOT use this Quad Pod under the influence of alcohol, illegal substances or medication. Using Quad Pod under the influence of alcohol, illegal substances or medication may result in serious injury or death.

NEVER use Quad Pod if you have dizzy spells, a heart problem, are afraid of heights, have been advised by a doctor or other health care provider not to climb, or have any condition that would impair your ability to climb up or down or use Quad Pod as it could result in serious injury or death.

NEVER remove or deface Quad Pod warning labels. Replacement labels can be obtained from the address below.

Manufactured in the year 2020 Primal Vantage Company Inc. 2407 W.Euclid Ave., Littleton, CO 80120 1-866-972-6168

