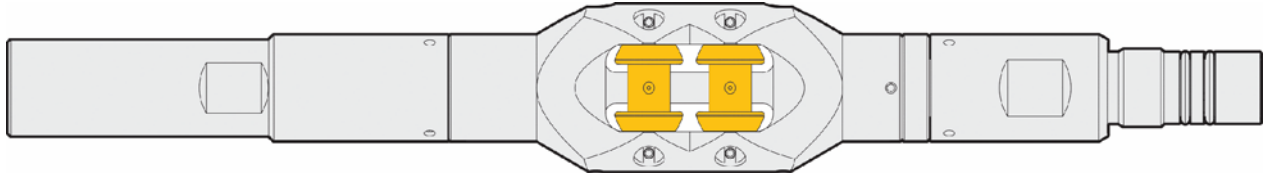


# Roller Bogie<sup>®</sup> E-Line Cased Hole

Reach extended depths and higher deviations without need for costly services, improve data quality and achieve constant logging speeds



## Features

- ▶ Self-orienting design
- ▶ Low friction dual rollers
- ▶ Streamlined profile
- ▶ Robust and durable tool design
- ▶ Low maintenance requirements
- ▶ Available for all tubing sizes

## Benefits

- ▶ Reach extended depths and higher deviations without need for costly services such as coiled tubing or wireline tractors.
- ▶ Improve data quality by eliminating stick-slip and achieving more constant logging speeds.
- ▶ Deploy longer perforating guns in deviated wells.
- ▶ Protect high value equipment from frictional wear.
- ▶ Improve cable management by reducing erratic loading.

**Impact Selector's E-Line Roller Bogie** tool is designed to reduce frictional resistance and enable access to high deviations. With a proven track record of success at inclinations up to 87 degrees and at depths in excess of 25,000 feet, the Roller Bogie tool is extremely robust, reliable and widely used in over 50 countries across six continents. Cased Hole E-line Roller Bogie tools are available in mono-conductor, multi-conductor, and perforating configurations and can be used in virtually all electric-line operations.

Roller Bogie tools can be installed at any point in the tool string and lift the string on to highly efficient rollers, eliminating contact friction and allowing easier and deeper wellbore access.

The roller body rotates freely around the mandrel which is connected to the host tool string. The unique body shape ensures the rollers are at all times oriented to the low side of the tubing.

E-line Roller Bogie tools are available in a wide range of sizes to pass through all wellbore restrictions and can be ordered with a choice of connection types to suit individual tool string requirements, including profiled bullnose guides when run at the bottom of wireline tool strings.



**IMPACT SELECTOR™**  
Intelligent Conveyance® Technologies



1-800-238-9239

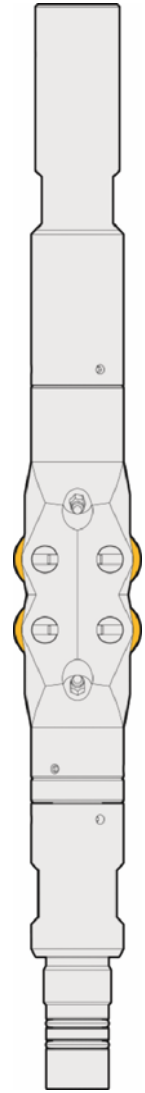
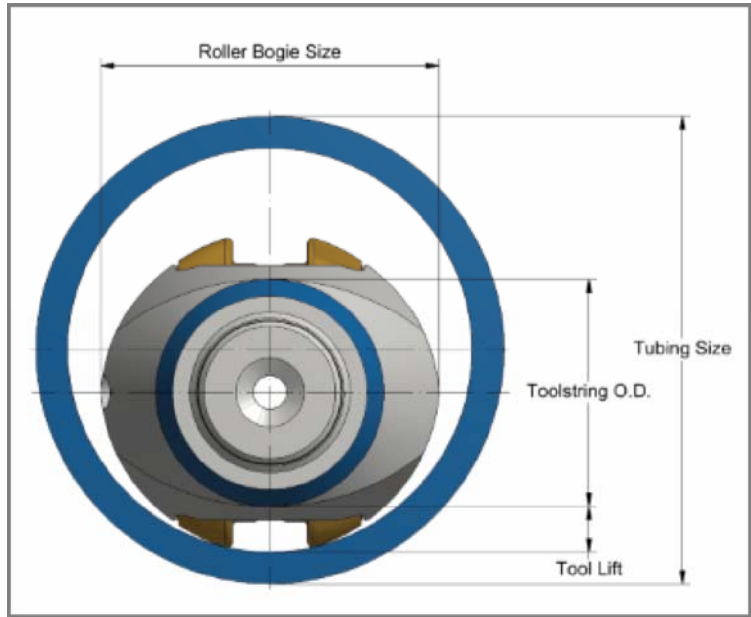


[impact@impactselector.com](mailto:impact@impactselector.com)



[www.impactselector.com](http://www.impactselector.com)





## Applications

- ▶ Production Logging
- ▶ Perforating
- ▶ Reservoir Evaluation
- ▶ Cement Evaluation
- ▶ Pipe Recovery
- ▶ Tractor Assist
- ▶ Casing Inspection
- ▶ Plug Setting
- ▶ Tubing Re-entry

## Specifications

Roller Bogie Size (inches)	1.95	2.125	2.275	2.400	2.500	2.600	2.770	3.000	3.350	3.600	3.850	4.100	4.500	4.900	5.500
Weight (lbs)	10.6	11.0	10.8	11	11	11.7	11.7	16.1	29.8	29.8	41.9	41.9	46.3	63.9	83.8
Length (inches)	17.7	17.3	17.3	16	17	18.7	18.1	18.9	20.1	20.5	21.3	21.7	24.0	26.0	26.4
Tubing Nominal Size (inches)	2.375	2.875	2.875	3.500	3.500	3.500	3.500	4.500	4.500	4.500	4.500	5.000	5.500	7.000	7.000
Max Tool OD Conveyed (inches)	1.688	1.750	1.938	2.000	2.125	2.250	2.375	2.500	2.875	3.125	3.500	3.625	4.000	4.375	5.000
Service Type	Standard, Sour or Severe Sour Service available. Composite Rollers available for running in GRE or High Chrome Tubing														
Connection Type	Connections available to suit customer specifications														

\*Tool weights and lengths are average values per Roller Bogie size.

\*\*Recommended maximum tool OD that can be conveyed using a particular Roller Bogie size.