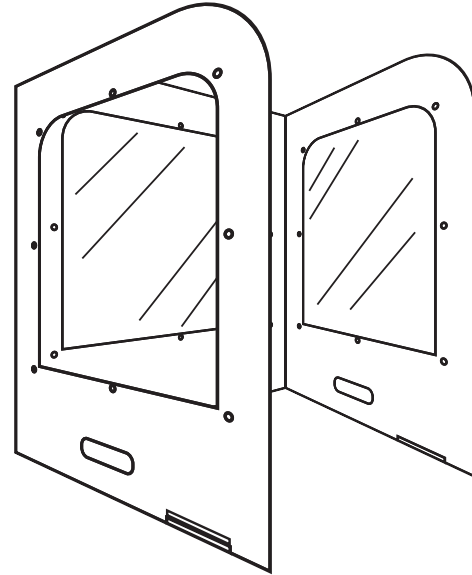
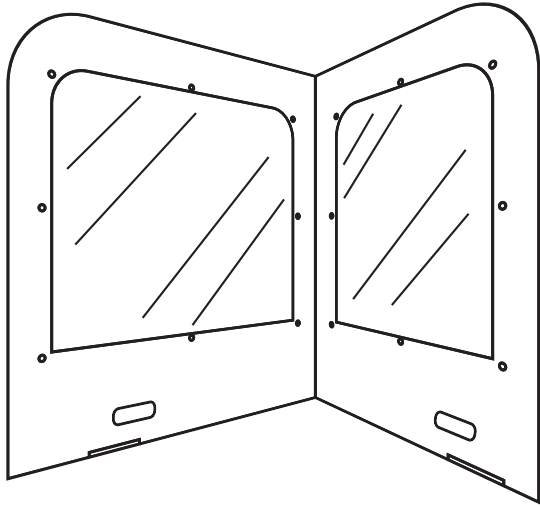


# School Desk Partition

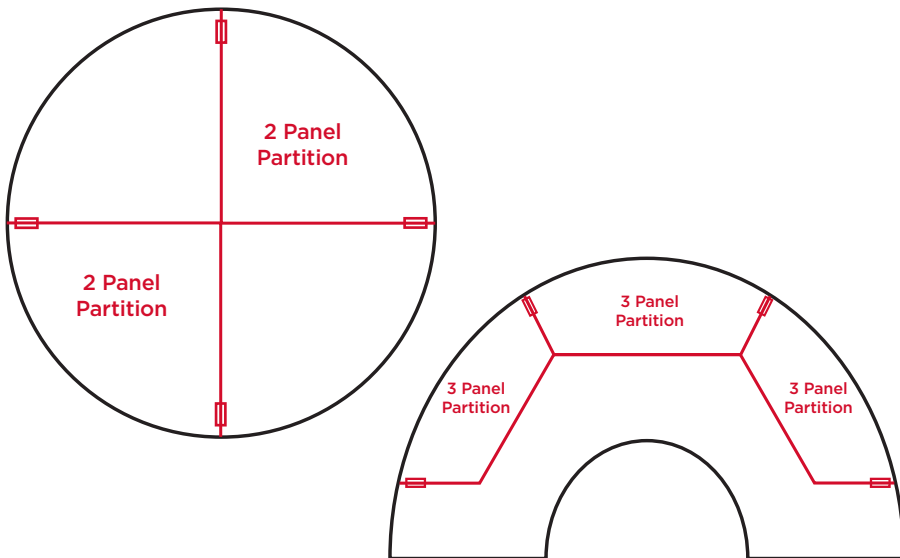
## Assembly Instructions 2

### Step 1:



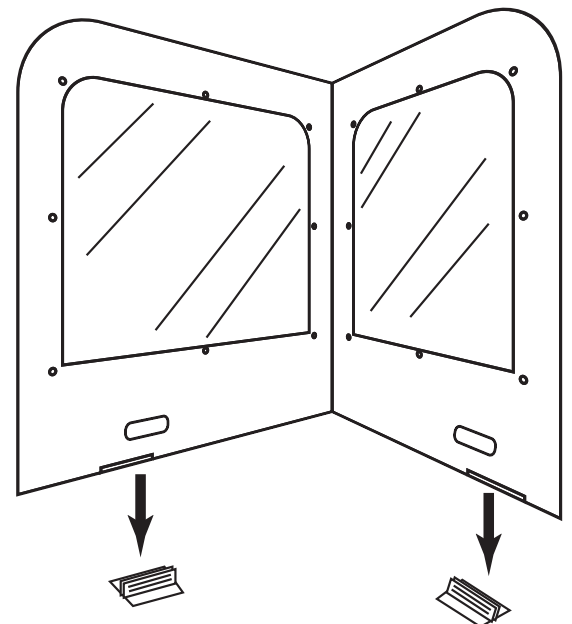
Two Panel: Unfold to 90 degree angle. Three Panel: Unfold to make three sides.

### Step 2:



Place feet on table for two or three panel configuration.

### Step 3:



Place partition into the feet using the notches on the bottom of each panel.



To reorder, contact:

**FLYWHEEL**<sup>®</sup>

FLYWHEELBRANDS.COM | 800.237.0083