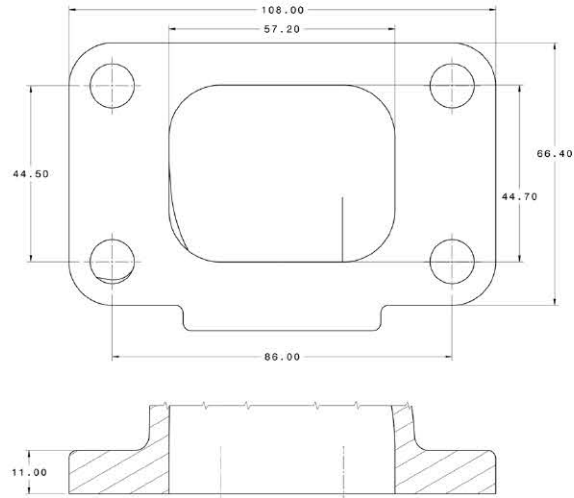
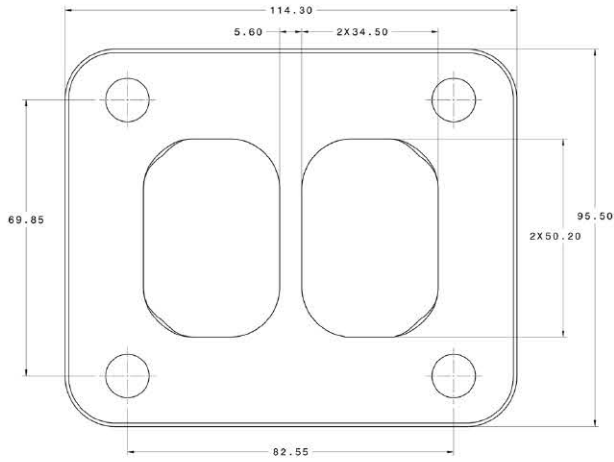
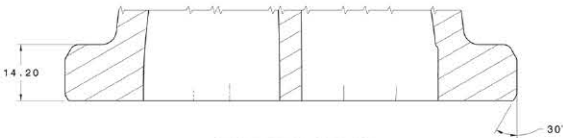
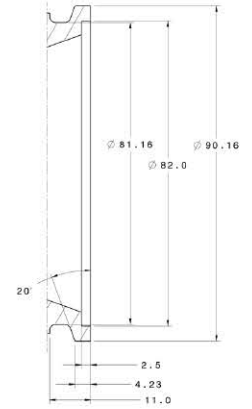


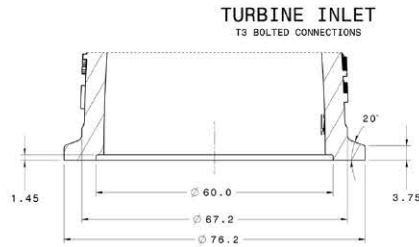
Garrett® G-Series G30-770 Flange Diagram



TURBINE OUTLET
Y-BAND CONNECTIONS

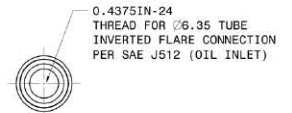


TURBINE INLET
T4 BOLTED CONNECTIONS

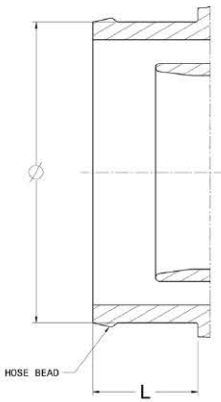


TURBINE INLET
T3 BOLTED CONNECTIONS

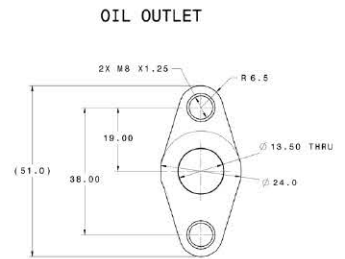
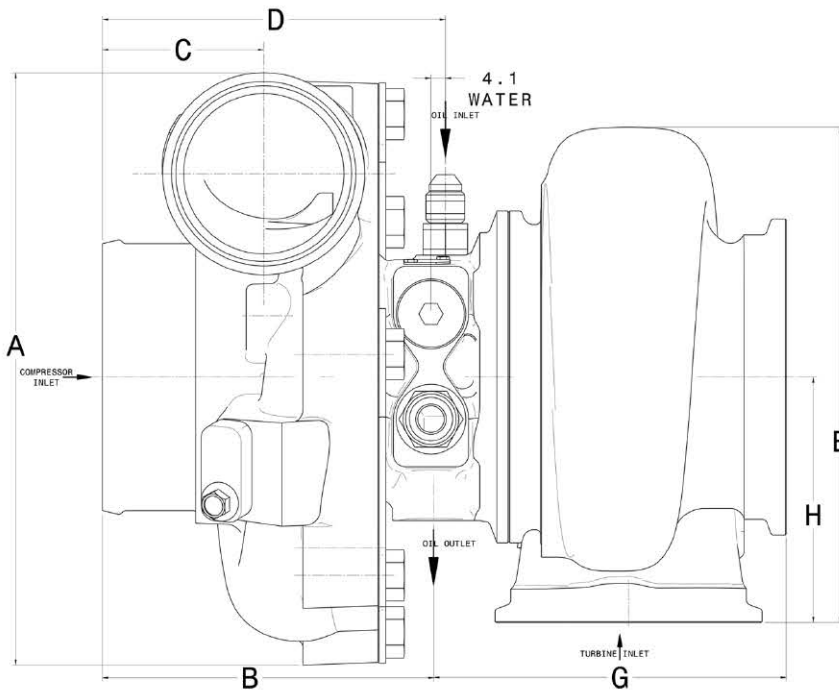
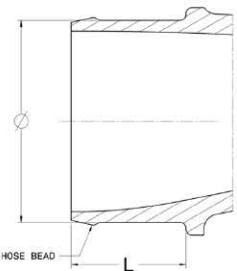
OIL INLET
-4AN FITTING CONNECTION



COMPRESSOR INLET
HOSE CONNECTIONS
G3067 Ø76.2 X 26.60
G3071/G3076 Ø100.00 X 25.40



COMPRESSOR OUTLET
HOSE CONNECTIONS
G3067 Ø51.15 X 29.05
G3071/G3076 Ø50.80 X 29.00



OIL OUTLET
WATER
M14 X 1.50
-6AN FITTING CONNECTION

Compressor		
A	189.8	
B	93.3	
C	44.7	
D	96.5	
Turbine	.61 A/R	.83 A/R
E	146.1	151.6
G	100.5	100.5
H	70.0	70.0