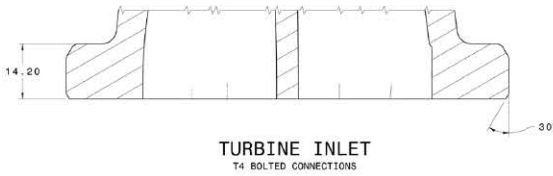
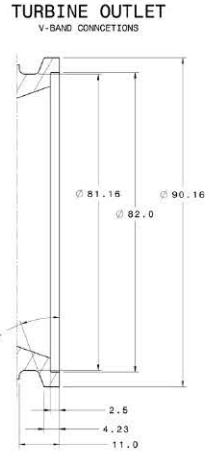
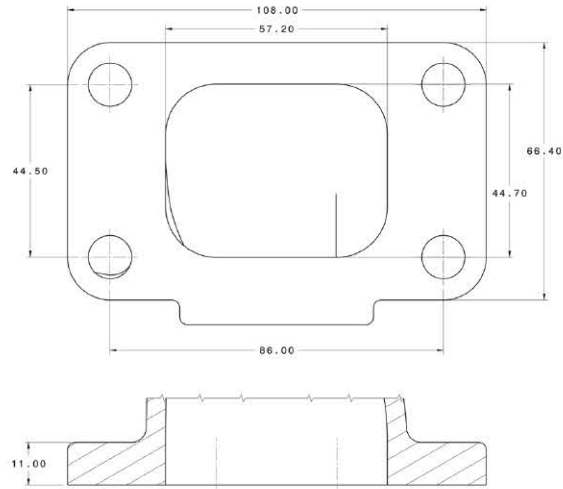
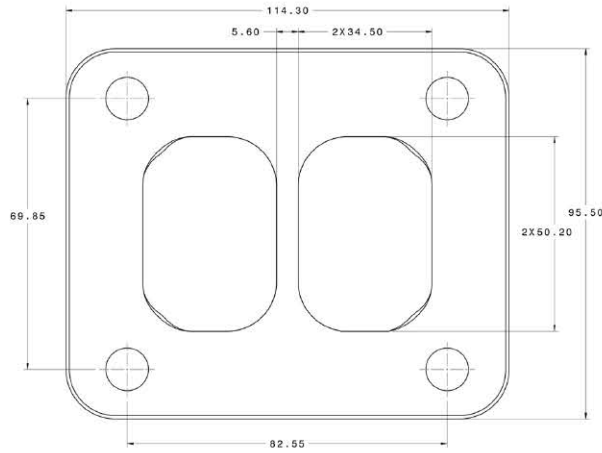
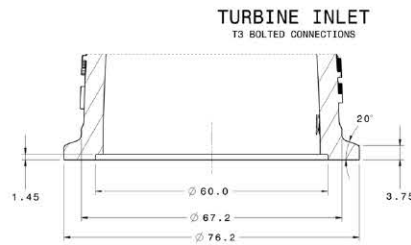


# Garrett® G-Series G30-660 Flange Diagram



**TURBINE INLET**  
T4 BOLTED CONNECTIONS

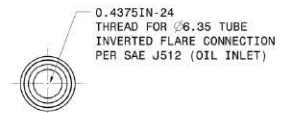


**TURBINE INLET**  
T3 BOLTED CONNECTIONS

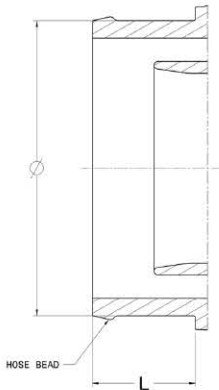


**TURBINE INLET**  
V-BAND CONNECTIONS

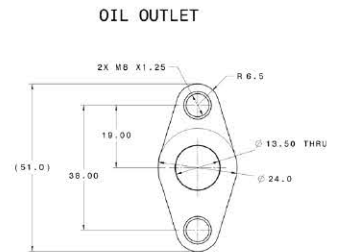
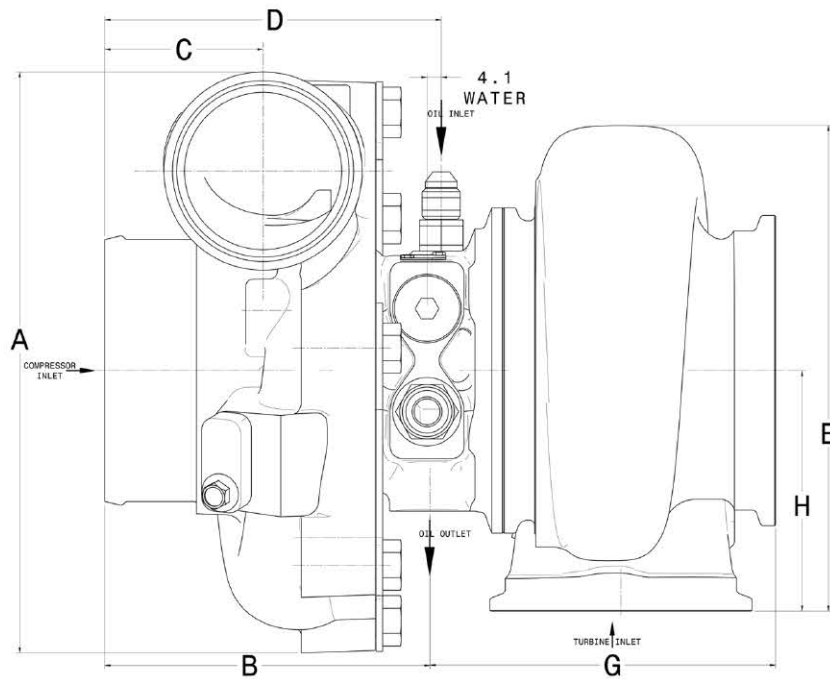
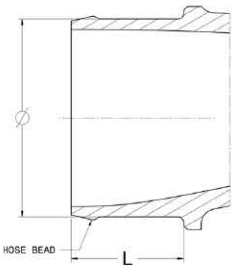
**OIL INLET**  
-4AN FITTING CONNECTION



**COMPRESSOR INLET**  
HOSE CONNECTIONS  
G3067 76.2 X 26.60  
G3071/G3076 100.00 X 25.40



**COMPRESSOR OUTLET**  
HOSE CONNECTIONS  
G3067 51.15 X 29.05  
G3071/G3076 50.80 X 29.00



**OIL OUTLET**  
TURBINE OUTLET  
WATER  
M14 X 1.50  
-6AN FITTING CONNECTION

Compressor		
A	169.0	
B	94.5	
C	46.0	
D	97.8	
Turbine		
E	146.1	151.6
G	100.5	100.5
H	70.0	70.0