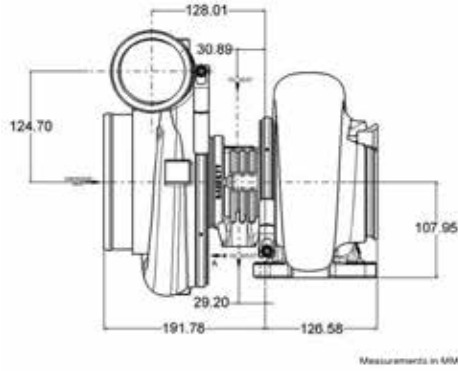


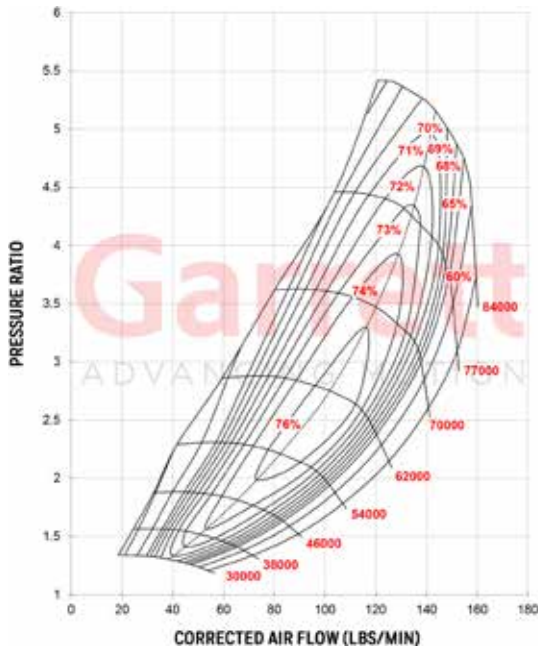
# Garrett® GTX5533R GEN II



Horsepower: 1000- 2500  
Displacement: 3.0L - 12.0L



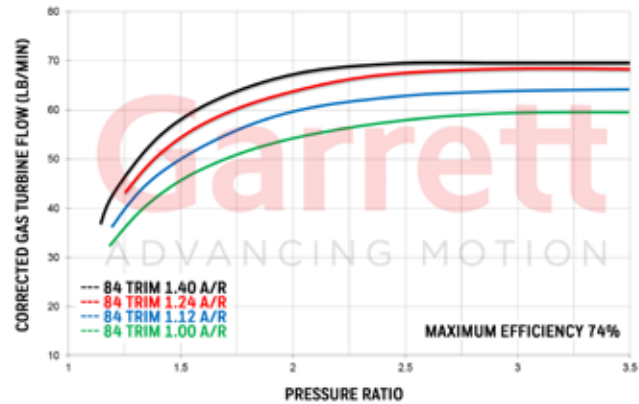
## COMPRESSOR MAP



## FEATURES:

- ◆ GEN 2 AERODYNAMICS FEATURE INCREASED HORSEPOWER RANGE
- ◆ NEW FULLY-MACHINED SPEED SENSOR PORT. DETAILS ON PG. 76
- ◆ IMPROVED PORTED SHROUD DESIGN FOR SURGE RESISTANCE
- ◆ LIGHTWEIGHT BILLET BACKPLATE
- ◆ SFI SUPER CORE AND TURBINE OPTIONS AVAILABLE
- ◆ V-BAND COMPRESSOR OUTLET CONFIGURATION

## EXHAUST FLOW CHART



| GTX5533R Gen II Reference Data             | Compressor         |         |       |        | Turbine    |         |      |
|--|--------------------|---------|-------|--------|------------|---------|------|
|  | Inducer            | Exducer | Trim  | A/R    | Inducer    | Exducer | Trim |
| Super Core PN                              |                    |         |       |        |            |         |      |
| 851285-5001S                               | 85mm               | 133     | 41    | 0.88   | 112        | 102     | 84   |
| 851285-5002S                               | 88mm               | 133     | 44    | 0.88   | 112        | 102     | 84   |
| 851285-5003S                               | 91mm               | 133     | 47    | 0.96   | 112        | 102     | 84   |
| 851285-5004S                               | 94mm               | 133     | 50    | 0.96   | 112        | 102     | 84   |
| 851285-5005S                               | 98mm               | 133     | 54    | 0.96   | 112        | 102     | 84   |
| 851285-5007S                               | SFI Certified 88mm | 133     | 44    | 0.88   | 112        | 102     | 84   |
| Notes:                                     | Turbine Kit PN     | A/R     | Inlet | Outlet | Wastegate  | Divided | Trim |
| Super Core and Turbine Kit Sold Separately | 761208-0014        | 1.00    | T6    | V-Band | Free Float | N       | 84   |
|  | 761208-0015        | 1.12    | T6    | V-Band | Free Float | N       | 84   |
|  | 761208-0025        | 1.24    | T6    | V-Band | Free Float | N       | 84   |
|  | 761208-0017        | 1.40    | T6    | V-Band | Free Float | N       | 84   |
| * SFI Certified Turbine Housings           | 761208-0020        | 1.78    | T6    | V-Band | Free Float | N       | 84   |
|  | 761208-0026        | 1.00    | T6    | V-Band | Free Float | N       | 84   |
|  | 761208-0042        | 1.12    | T6    | V-Band | Free Float | N       | 84   |
|  | 761208-0027        | 1.24    | T6    | V-Band | Free Float | N       | 84   |
|  | 761208-0043        | 1.40    | T6    | V-Band | Free Float | N       | 84   |
|  | 761208-0044        | 1.78    | T6    | V-Band | Free Float | N       | 84   |

\*851285-5007S SFI CERTIFIED