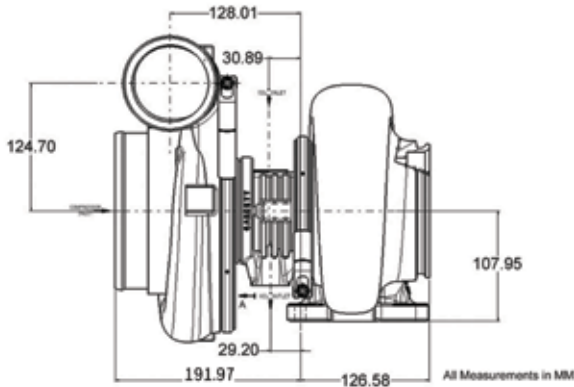


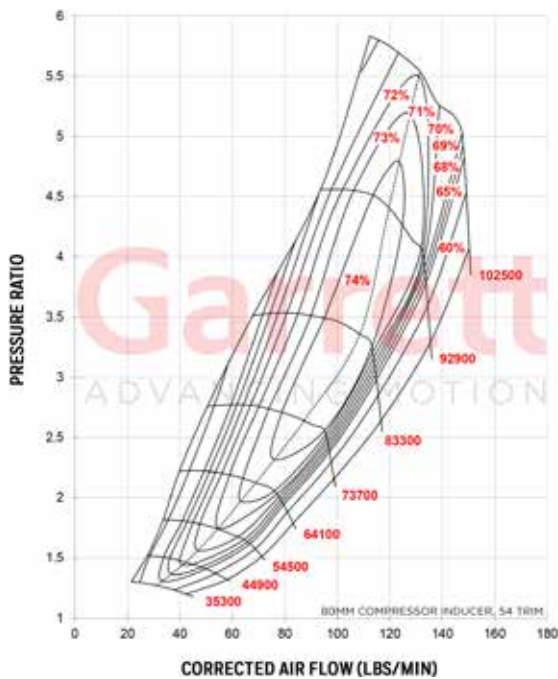
Garrett® GTX5009R GEN II NEW PRODUCT

Garrett
ADVANCING MOTION

Horsepower: 875 - 1700
Displacement: 2.5L - 10.0L



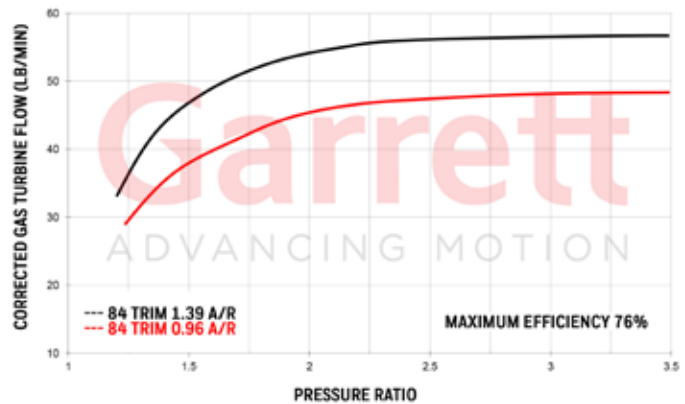
COMPRESSOR MAP



FEATURES:

- ◆ GEN 2 COMPRESSOR WHEEL AERODYNAMICS
- ◆ 15% INCREASED FLOW
- ◆ 76MM, 80MM, INDUCER CONFIGURATIONS
- ◆ LARGER .88 A/R COMPRESSOR HOUSING VOLUTE
- ◆ GTX5009R FEATURES A 109MM COMP EXDUCER (+1MM) AND HAS 39% LOWER INERTIA*
- ◆ SUPER CORE AND TURBINE HOUSING SOLD SEPARATELY
- ◆ COMPATIBLE WITH GT AND GTX TURBINE HOUSINGS

EXHAUST FLOW CHART



GTX5009R Gen II Reference Data	Compressor				Turbine			
	Super Core PN	Inducer	Exducer	Trim	A/R	Inducer	Exducer	Trim
851285-5016S		76mm	109mm	49	0.88	99mm	91mm	84
851285-50017S		80mm	109mm	54	0.88	99mm	91mm	84
Notes:	Turbine Kit PN	A/R	Inlet	Outlet	Wastegate	Divided	Trim	
Super Core and Turbine Kit Sold Separately	761208-0030	0.96	T6	V-Band	Free Float	N	84	
	761208-0033	1.39	T6	V-Band	Free Float	N	84	