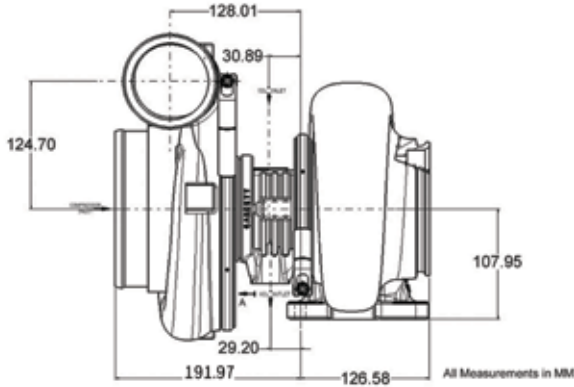


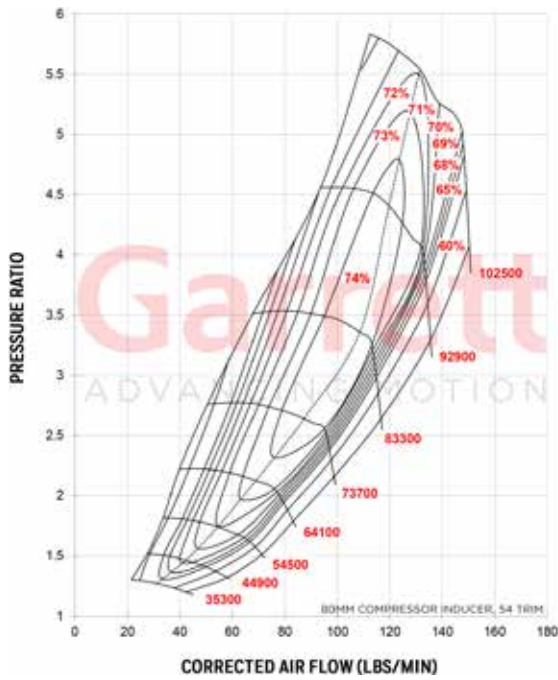
# Garrett® GTX4709R GEN II NEW PRODUCT



Horsepower: 825 - 1625  
Displacement: 2.0L - 10.0L



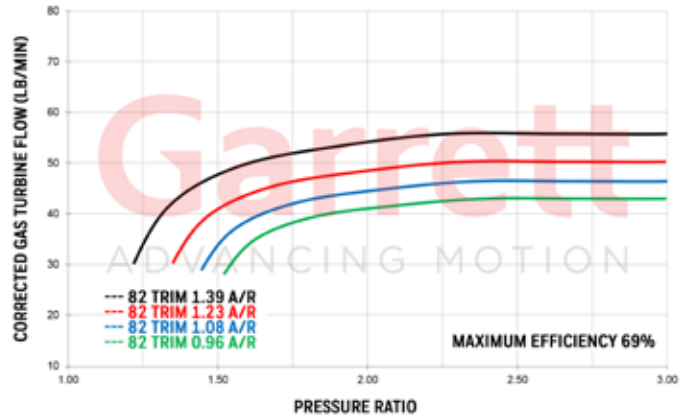
## COMPRESSOR MAP



## FEATURES:

- ◆ GEN 2 COMPRESSOR WHEEL AERODYNAMICS
- ◆ 15% INCREASED FLOW
- ◆ 76MM, 80MM, INDUCER CONFIGURATIONS
- ◆ LARGER .88 A/R COMPRESSOR HOUSING VOLUTE
- ◆ GTX4709R FEATURES A 109MM COMP EXDUCER (+1MM) AND HAS 39% LOWER INERTIA\*
- ◆ SUPER CORE AND TURBINE HOUSING SOLD SEPARATELY
- ◆ COMPATIBLE WITH GT AND GTX TURBINE HOUSINGS

## EXHAUST FLOW CHART



GTX4709R Gen II Reference Data	Compressor				Turbine		
	Inducer	Exducer	Trim	A/R	Inducer	Exducer	Trim
Super Core PN							
851285-5011S	76mm	109mm	49	0.88	93mm	84mm	82
851285-5012S	80mm	109mm	54	0.88	93mm	84mm	82
Notes:	Turbine Kit PN	A/R	Inlet	Outlet	Wastegate	Divided	Trim
Super Core and Turbine Kit Sold Separately	761208-0009	0.96	T6	V-Band	Free Float	N	82
	761208-0010	1.08	T6	V-Band	Free Float	N	82
	761208-0011	1.23	T6	V-Band	Free Float	N	82
	761208-0012	1.39	T6	V-Band	Free Float	N	82