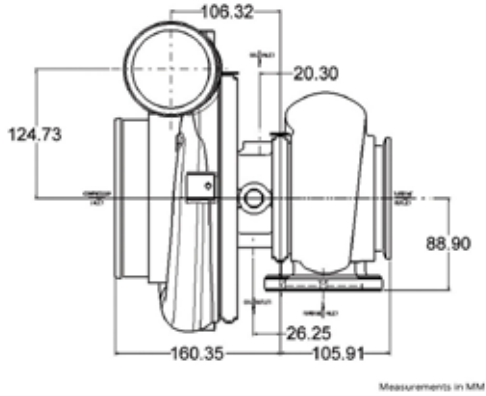
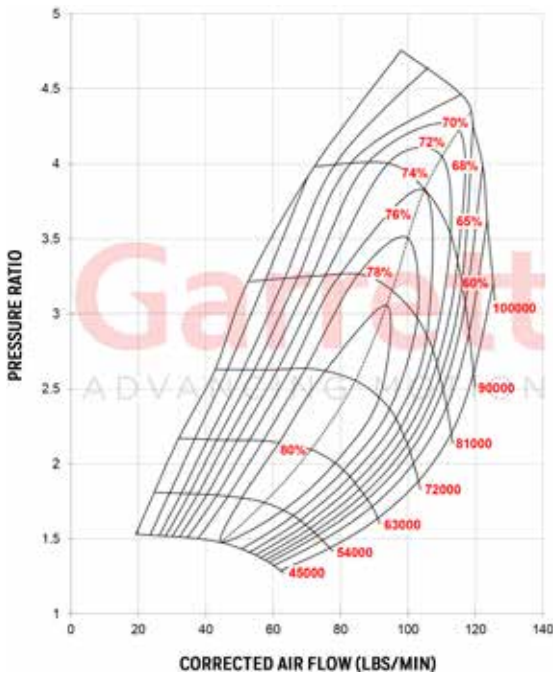


# Garrett® GTX4508R

Horsepower: 700 - 1250  
Displacement: 2.0L - 8.0L



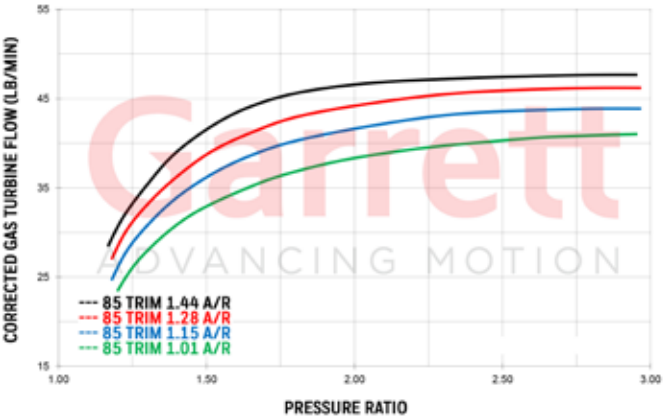
## COMPRESSOR MAP



## FEATURES:

- ◆ FEATURES ORIGINAL GTX COMP WHEEL AERODYNAMICS
- ◆ SUPER CORE AND TURBINE KIT SOLD SEPARATELY
- ◆ AVAILABLE ONLY WITH DIVIDED TURBINE HOUSINGS
- ◆ V-BAND COMPRESSOR OUTLET CONFIGURATION

## EXHAUST FLOW CHART



GTX4508R Reference Data		Compressor				Turbine		
Super Core PN	Inducer	Exducer	Trim	A/R	Inducer	Exducer	Trim	
800270-5001S	80mm	108mm	55	0.69	87mm	80mm	85	
Notes:	Turbine Kit PN	A/R	Inlet	Outlet	Wastegate	Divided	Trim	
Super Core and Turbine Kit Sold Separately	757707-0005	1.01	T4	V-Band	Free Float	Y	85	
	757707-0006	1.15	T4	V-Band	Free Float	Y	85	
	757707-0007	1.28	T4	V-Band	Free Float	Y	85	
	757707-0008	1.44	T4	V-Band	Free Float	Y	85	