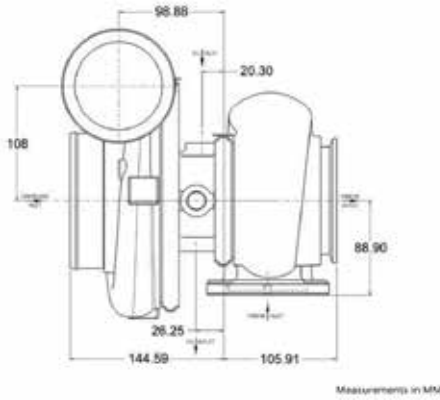
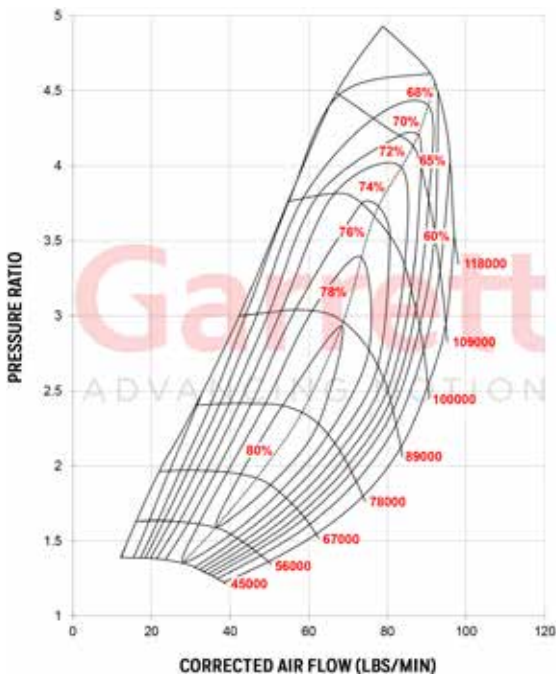


Garrett® GTX4294R

Horsepower: 475 - 950
 Displacement: 2.0L - 7.0L

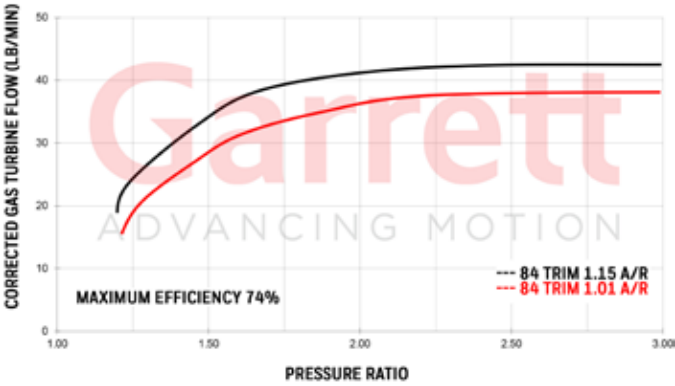


COMPRESSOR MAP



- FEATURES:**
- ◆ FEATURES ORIGINAL GTX COMP WHEEL AERODYNAMICS
 - ◆ SUPER CORE AND TURBINE KIT SOLD SEPARATELY
 - ◆ AVAILABLE ONLY WITH DIVIDED TURBINE HOUSINGS
 - ◆ V-BAND COMPRESSOR OUTLET CONFIGURATION

EXHAUST FLOW CHART



GTX4294R Reference Data	Compressor				Turbine		
	Inducer	Exducer	Trim	A/R	Inducer	Exducer	Trim
Super Core PN 800269-5001S	70mm	94mm	56	0.60	82mm	75mm	84
Notes:	Turbine Kit PN	A/R	Inlet	Outlet	Wastegate	Divided	Trim
Super Core and Turbine Kit Sold Separately	757707-0001	1.01	T4	V-Band	Free Float	Y	84
	757707-0002	1.15	T4	V-Band	Free Float	Y	84