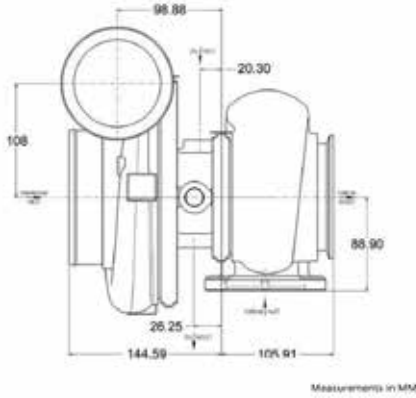
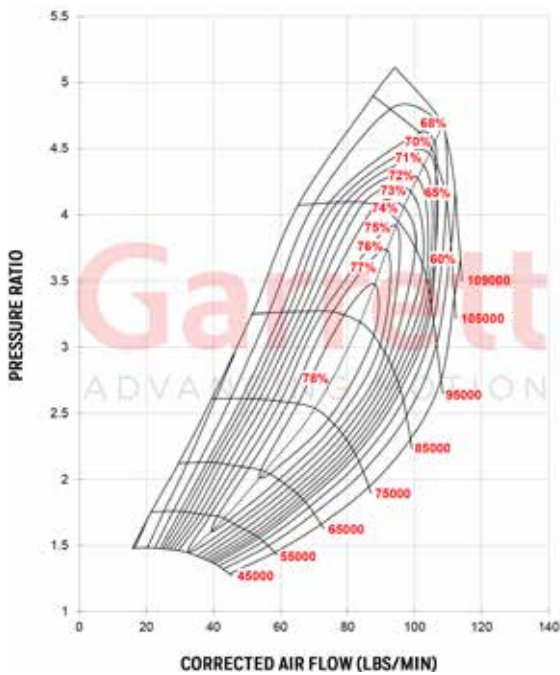


# Garrett® GTX4202R

Horsepower: 525 - 1120  
Displacement: 2.0L - 7.0L



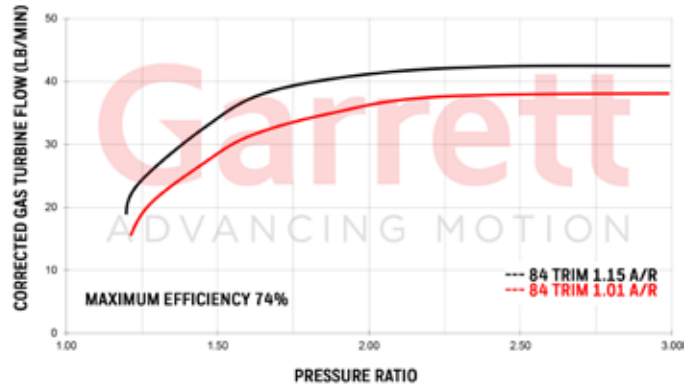
## COMPRESSOR MAP



## FEATURES:

- ◆ FEATURES ORIGINAL GTX COMP WHEEL AERODYNAMICS
- ◆ SUPER CORE AND TURBINE KIT SOLD SEPARATELY
- ◆ AVAILABLE ONLY WITH DIVIDED TURBINE HOUSINGS
- ◆ V-BAND COMPRESSOR OUTLET CONFIGURATION

## EXHAUST FLOW CHART



GTX4202R Reference Data		Compressor				Turbine		
Super Core PN	Inducer	Exducer	Trim	A/R	Inducer	Exducer	Trim	
800269-5002S	76mm	102mm	55	0.60	82mm	75mm	84	
Notes:	Turbine Kit PN	A/R	Inlet	Outlet	Wastegate	Divided	Trim	
Super Core and Turbine Kit Sold Separately	757707-0001	1.01	T4	V-Band	Free Float	Y	84	
	757707-0002	1.15	T4	V-Band	Free Float	Y	84	