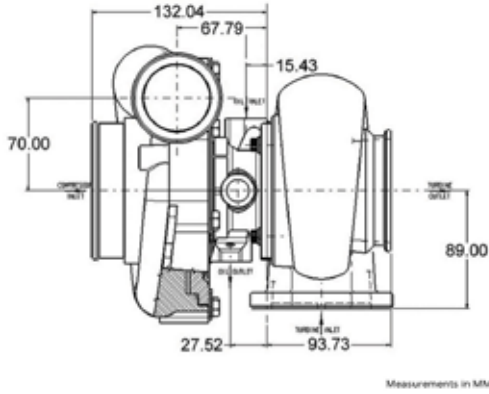


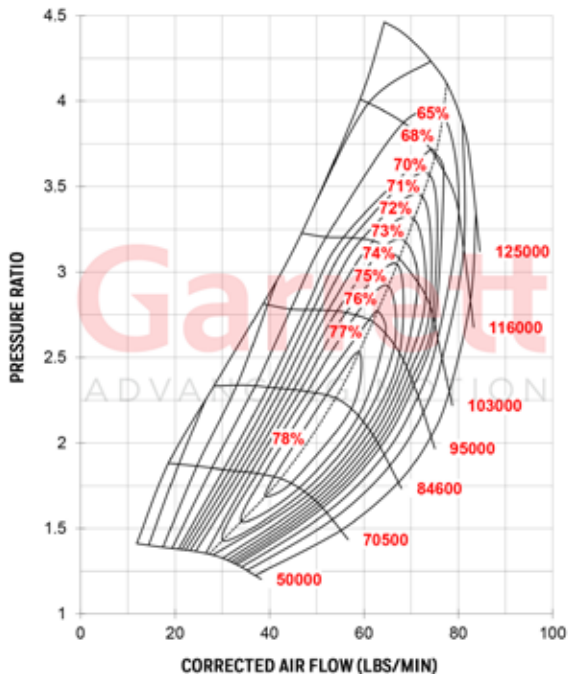
Garrett® GTX4088R



Horsepower: 460 - 850
Displacement: 2.0L - 6.0L



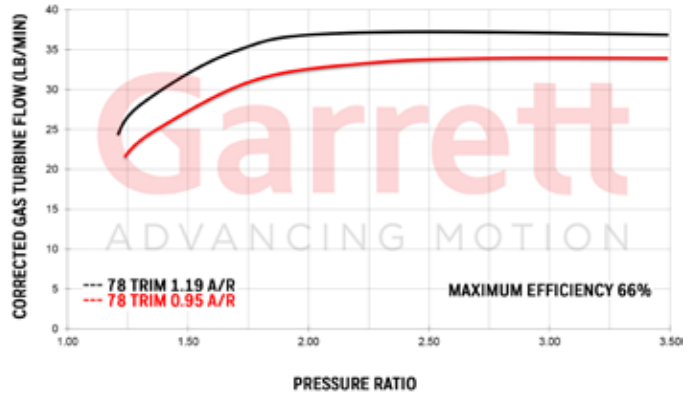
COMPRESSOR MAP



FEATURES:

- ◆ FEATURES ORIGINAL GTX COMP WHEEL AERODYNAMICS
- ◆ SUPER CORE AND TURBINE KIT SOLD SEPARATELY
- ◆ AVAILABLE ONLY WITH DIVIDED TURBINE HOUSINGS

EXHAUST FLOW CHART



GTX4088R Reference Data		Compressor				Turbine		
Super Core PN	Inducer	Exducer	Trim	A/R	Inducer	Exducer	Trim	
825614-5005S	65mm	88mm	54	0.72	77mm	68mm	78	
Notes:	Turbine Kit PN	A/R	Inlet	Outlet	Wastegate	Divided	Trim	
Super Core and Turbine Kit Sold Separately	773628-0011	0.95	T4	V-Band	Free Float	Y	78	
	773628-0013	1.19	T4	V-Band	Free Float	Y	78	