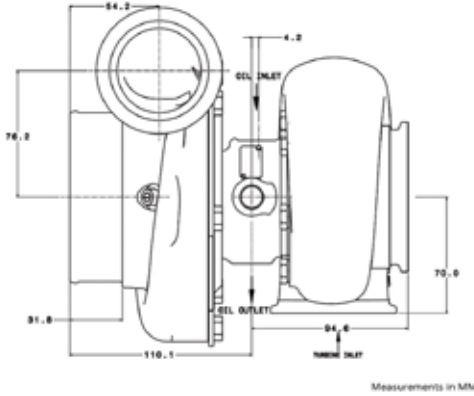
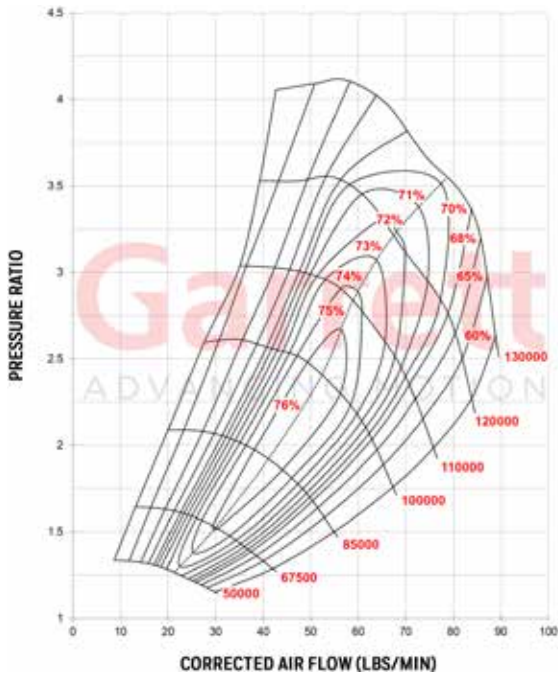


# Garrett® GTX3584RS

Horsepower: 550 - 1000  
 Displacement: 2.0L - 5.5L

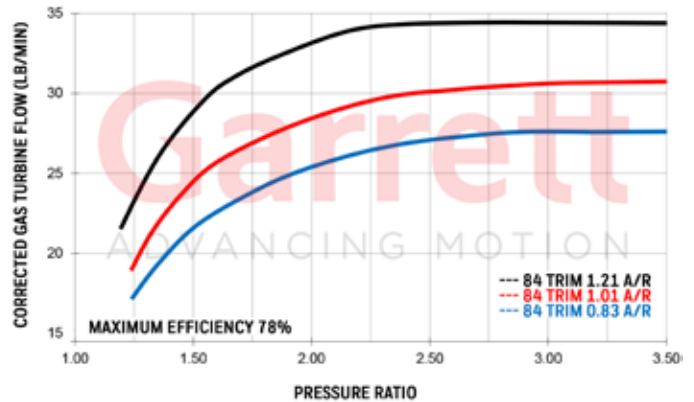


## COMPRESSOR MAP



- FEATURES:**
- ◆ GEN 2 AERODYNAMICS FEATURE INCREASED HORSEPOWER RANGE
  - ◆ "RS" DESIGNED, HIGH HORSEPOWER TURBINE WHEEL
  - ◆ COMPACT DESIGN FOR TIGHT INSTALLATIONS
  - ◆ NEW FULLY-MACHINED SPEED SENSOR PORT. DETAILS ON PG. 76
  - ◆ SOLD AS ASSEMBLY KITS (SUPER CORE + TURBINE KIT)
  - ◆ COMP OUTLET AVAILABLE IN V-BAND & HOSE CONNECTION

## EXHAUST FLOW CHART



GTX3584RS	Compressor				Turbine				
	Inducer 67mm	Exducer 84mm	Trim 64	A/R 0.72	Inducer 68mm	Exducer 62mm	Trim 84		
<b>Notes:</b>	<b>Assembly Kit PN</b>				<b>A/R</b>	<b>Inlet</b>	<b>Outlet</b>	<b>Wastegate</b>	<b>Divided</b>
Hose Bead Compressor Outlet	856804-5001S				0.83	V-Band	V-Band	Free Float	N
	856804-5002S				1.01	V-Band	V-Band	Free Float	N
	856804-5003S				1.21	V-Band	V-Band	Free Float	N
V-Band Compressor Outlet	856804-5004S				0.83	V-Band	V-Band	Free Float	N
	856804-5005S				1.01	V-Band	V-Band	Free Float	N
	856804-5006S				1.21	V-Band	V-Band	Free Float	N

\*GTX3584 turbine housings not compatible with other GT/GTX35 housings