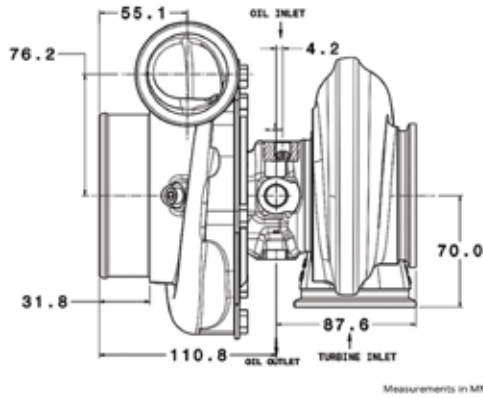


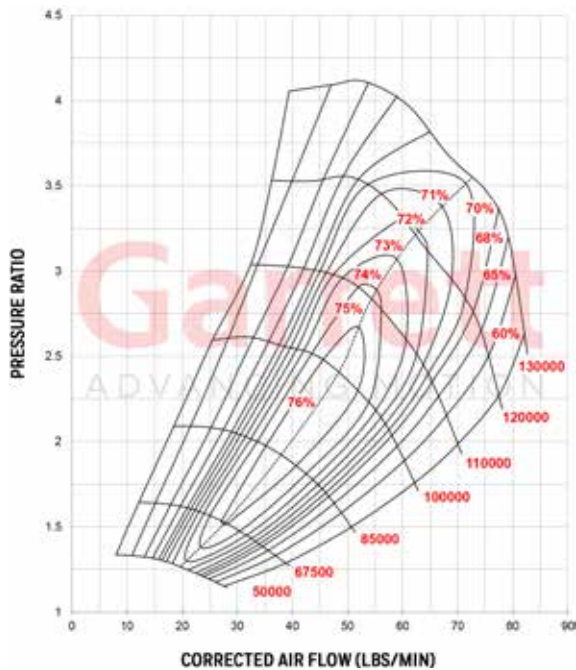
Garrett® GTX3582R GEN II



Horsepower: 450 - 900
Displacement: 2.0L - 4.5L



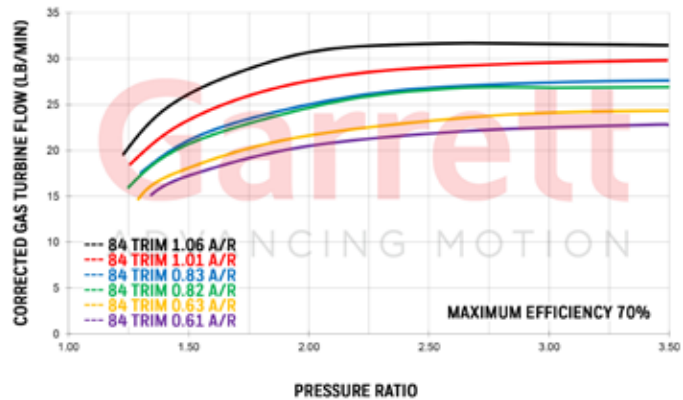
COMPRESSOR MAP



FEATURES:

- ◆ GEN 2 AERODYNAMICS FEATURE INCREASED HORSEPOWER RANGE
- ◆ NEW FULLY-MACHINED SPEED SENSOR PORT. DETAILS ON PG. 76
- ◆ SOLD AS ASSEMBLY KITS (SUPER CORE + TURBINE KIT)
- ◆ NEW REVERSE ROTATION OPTIONS AVAILABLE

EXHAUST FLOW CHART



GTX3582R Gen II	Compressor				Turbine		
	Inducer	Exducer	Trim	A/R	Inducer	Exducer	Trim
	66mm	82mm	64	0.70	68mm	62mm	84
Standard Rotation	Assembly Kit PN		A/R	Inlet	Outlet	Wastegate	Divided
Assembly Kit Includes Super Core and Turbine Kit	856801-5069S		0.63	T3	V-Band	Free Float	N
	856801-5068S		0.82	T3	V-Band	Free Float	N
	856801-5067S		1.06	T3	V-Band	Free Float	N
	856801-5072S		0.63	T4	V-Band	Free Float	N
	856801-5071S		0.82	T4	V-Band	Free Float	N
	856801-5070S		1.06	T4	V-Band	Free Float	N
	856801-5081S		0.61	V-Band	V-Band	Free Float	N
	856801-5080S		0.83	V-Band	V-Band	Free Float	N
Reverse Rotation	Assembly Kit PN		A/R	Inlet	Outlet	Wastegate	Divided
Assembly Kit Includes Super Core and Turbine Kit	856803-5004S		0.61	V-Band	V-Band	Free Float	N
	856803-5005S		0.83	V-Band	V-Band	Free Float	N
	856803-5006S		1.01	V-Band	V-Band	Free Float	N