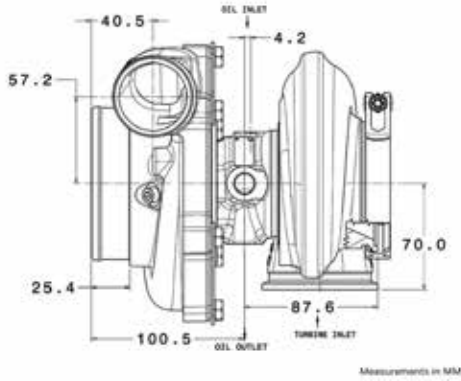


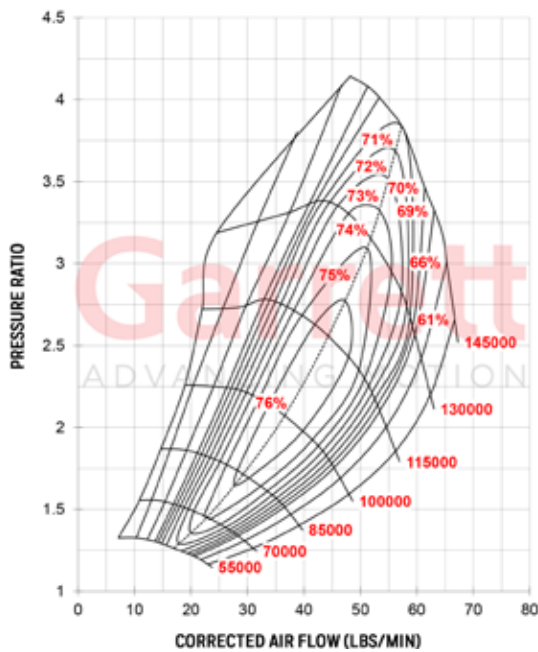
Garrett® GTX3576R GEN II



Horsepower: 400 - 750
Displacement: 2.0L- 4.5L



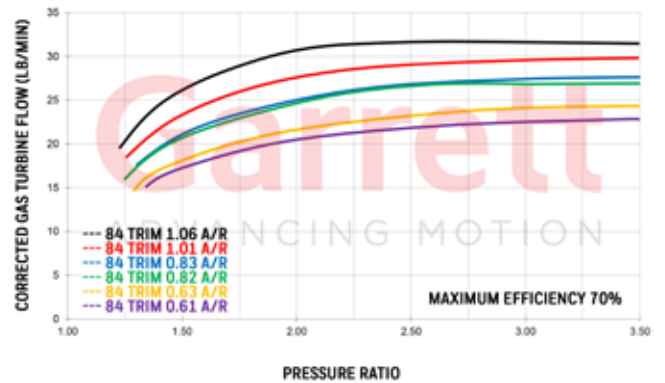
COMPRESSOR MAP



FEATURES:

- ◆ GEN 2 AERODYNAMICS FEATURE INCREASED HORSEPOWER RANGE
- ◆ NEW FULLY MACHINED SPEED SENSOR PORT. DETAILS ON PG. 76
- ◆ SOLD AS ASSEMBLY KITS (SUPER CORE + TURBINE KIT)
- ◆ NEW REVERSE ROTATION OPTIONS AVAILABLE

EXHAUST FLOW CHART



GTX3576R Gen II	Compressor				Turbine		
	Inducer	Exducer	Trim	A/R	Inducer	Exducer	Trim
Standard Rotation	58mm	76mm	58	0.60	68mm	62mm	84
Assembly Kit Includes Super Core and Turbine Kit	Assembly Kit PN		A/R	Inlet	Outlet	Wastegate	Divided
	856801-5048S		0.63	T3	V-Band	Free Float	N
	856801-5047S		0.82	T3	V-Band	Free Float	N
	856801-5046S		1.06	T3	V-Band	Free Float	N
	856801-5051S		0.63	T4	V-Band	Free Float	N
	856801-5050S		0.82	T4	V-Band	Free Float	N
	856801-5049S		1.06	T4	V-Band	Free Float	N
	856801-5060S		0.61	V-Band	V-Band	Free Float	N
Reverse Rotation	Assembly Kit PN		A/R	Inlet	Outlet	Wastegate	Divided
	856803-5001S		0.61	V-Band	V-Band	Free Float	N
	856803-5002S		0.83	V-Band	V-Band	Free Float	N
	856803-5003S		1.01	V-Band	V-Band	Free Float	N