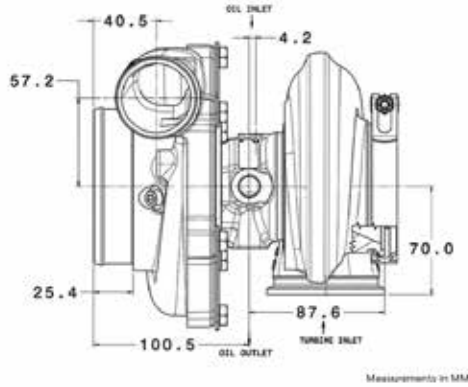


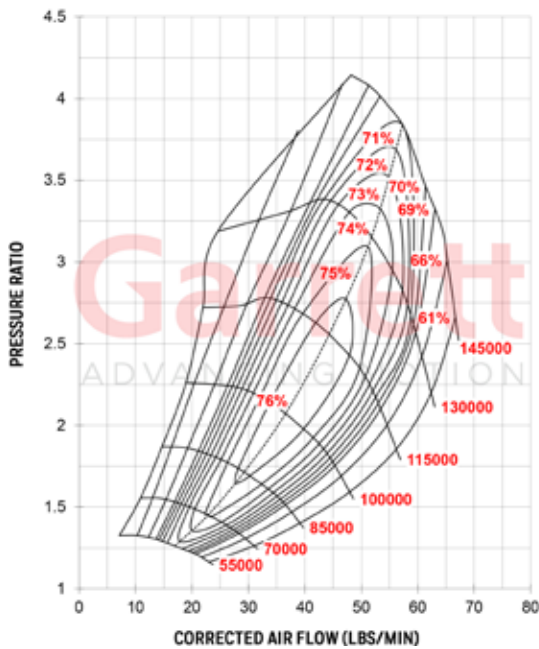
Garrett® GTX3076R GEN II



Horsepower: 400 - 750
Displacement: 1.8L - 3.0L



COMPRESSOR MAP

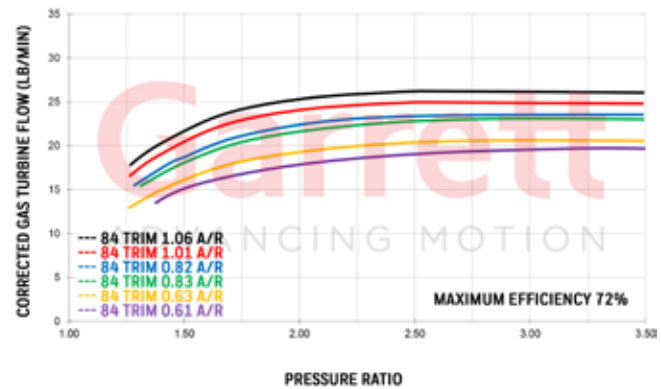


FEATURES:

- ◆ GEN 2 AERODYNAMICS FEATURE INCREASED HORSEPOWER RANGE
- ◆ NEW FULLY MACHINED SPEED SENSOR PORT. DETAILS ON PG. 76
- ◆ WASTEGATE ACTUATORS & BRACKET KIT AVAILABLE ON PG. 77
- ◆ SOLD AS ASSEMBLY KITS (SUPER CORE + TURBINE KIT)
- ◆ NEW REVERSE ROTATION OPTIONS AVAILABLE

*WASTEGATED TURBINE BOLTS & CLAMPS SEE PG. 77

EXHAUST FLOW CHART



GTX3076R Gen II	Compressor				Turbine		
	Inducer 58mm	Exducer 76mm	Trim 58	A/R 0.60	Inducer 60mm	Exducer 55mm	Trim 84
Standard Rotation	Assembly Kit PN		A/R	Inlet	Outlet	Wastegate	Divided
Assembly Kit Includes Super Core and Turbine Kit	856801-5027S		0.63	T3	V-Band	Free Float	N
	856801-5026S		0.82	T3	V-Band	Free Float	N
	856801-5025S		1.06	T3	V-Band	Free Float	N
	856801-5039S		0.61	V-Band	V-Band	Free Float	N
	856801-5038S		0.83	V-Band	V-Band	Free Float	N
Wastegated Turbine Assembly does not include bolts, clamps, gasket or actuator	856801-5037S		1.01	V-Band	V-Band	Free Float	N
	856801-5042S		0.63	T3	5 bolt	Wastegated	N
	856801-5041S		0.82	T3	5 bolt	Wastegated	N
Reverse Rotation	856801-5040S		1.06	T3	5 bolt	Wastegated	N
	Assembly Kit PN		A/R	Inlet	Outlet	Wastegate	Divided
	856802-5004S		0.61	V-Band	V-Band	Free Float	N
Assembly Kit Includes Super Core and Turbine Kit	856802-5005S		0.83	V-Band	V-Band	Free Float	N
	856802-5006S		1.01	V-Band	V-Band	Free Float	N