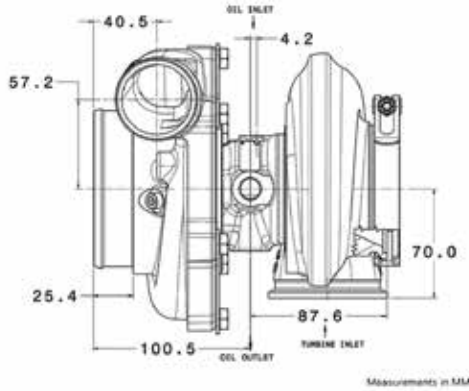


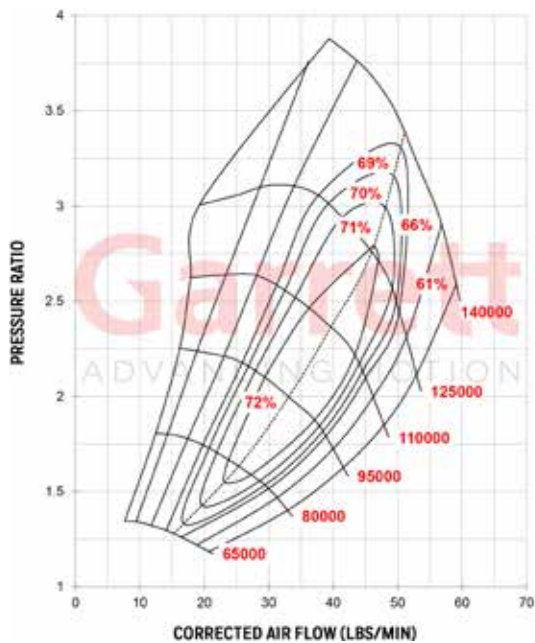
Garrett® GTX3071R GEN II



Horsepower: 340 - 675
Displacement: 1.8L - 3.0L



COMPRESSOR MAP

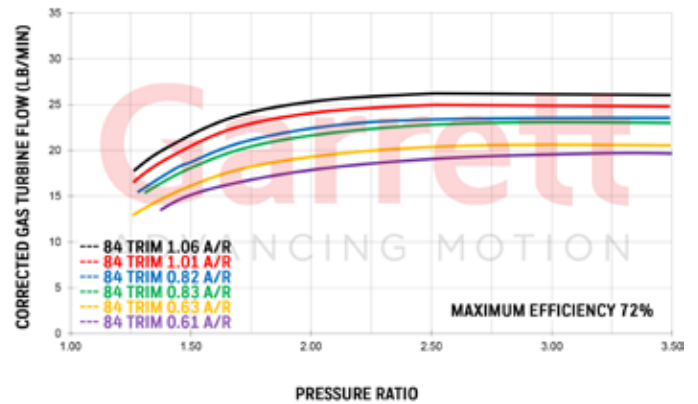


FEATURES:

- ◆ GEN 2 AERODYNAMICS FEATURE INCREASED HORSEPOWER RANGE
- ◆ NEW FULLY MACHINED SPEED SENSOR PORT. DETAILS ON PG. 76
- ◆ WASTEGATE ACTUATORS & BRACKET KIT AVAILABLE ON PG. 77
- ◆ SOLD AS ASSEMBLY KITS (SUPER CORE + TURBINE HSG)
- ◆ NEW REVERSE ROTATION CONFIGURATIONS AVAILABLE

*WASTEGATED TURBINE BOLTS & CLAMPS SEE PG. 77

EXHAUST FLOW CHART



GTX3071R Gen II	Compressor				Turbine		
	Inducer	Exducer	Trim	A/R	Inducer	Exducer	Trim
	54mm	71mm	58	0.60	60mm	55mm	84
Standard Rotation	Assembly Kit PN		A/R	Inlet	Outlet	Wastegate	Divided
Assembly Kit Includes Super Core and Turbine Kit	856801-5006S		0.63	T3	V-Band	Free Float	N
	856801-5005S		0.82	T3	V-Band	Free Float	N
	856801-5004S		1.06	T3	V-Band	Free Float	N
	856801-5018S		0.61	V-Band	V-Band	Free Float	N
	856801-5017S		0.83	V-Band	V-Band	Free Float	N
Wastegated turbine kit does not include bolts, clamps, gasket or actuator	856801-5016S		1.01	V-Band	V-Band	Free Float	N
	856801-5021S		0.63	T3	5 bolt	Wastegated	N
	856801-5020S		0.82	T3	5 bolt	Wastegated	N
Reverse Rotation	Assembly Kit PN		A/R	Inlet	Outlet	Wastegate	Divided
	856802-5001S		0.61	V-Band	V-Band	Free Float	N
	856802-5002S		0.83	V-Band	V-Band	Free Float	N
Assembly Kit Includes Super Core and Turbine Kit	856802-5003S		1.01	V-Band	V-Band	Free Float	N