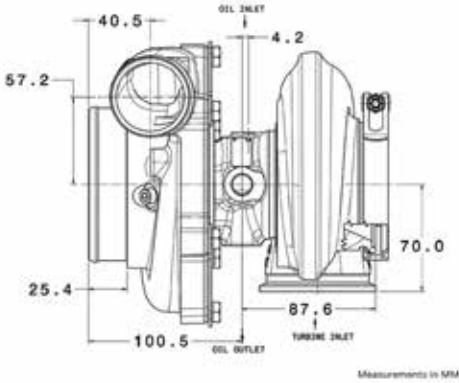
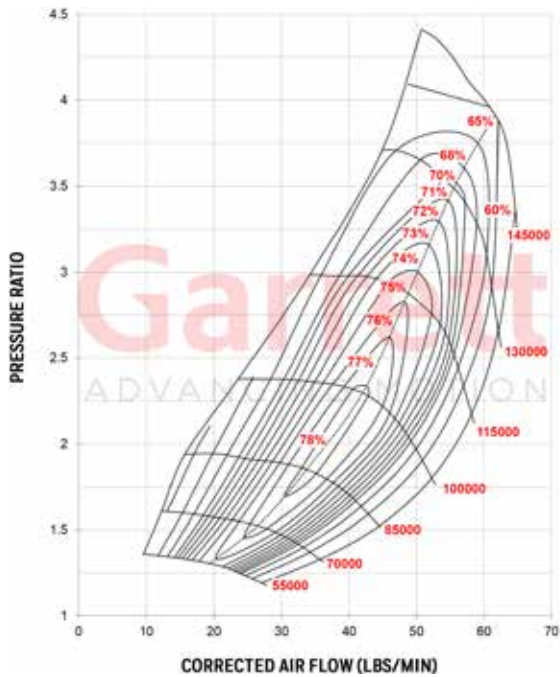


Garrett® GTX2976R

Horsepower: 360 - 620
 Displacement: 1.8L - 3.0L



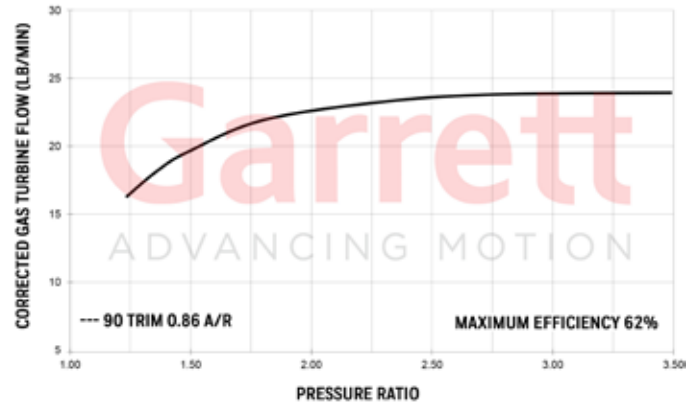
COMPRESSOR MAP



FEATURES:

- ◆ FEATURES ORIGINAL GTX COMP WHEEL AERODYNAMICS
- ◆ WASTEGATE ACTUATORS & BRACKET KIT AVAILABLE ON PG. 77
- ◆ SUPER CORE AND TURBINE KIT SOLD SEPARATELY

EXHAUST FLOW CHART



| GTX2976R Reference Data | Compressor | | | | Turbine | | |
|--|-----------------------|------------|--------------|---------------|------------------|----------------|-------------|
| | Inducer | Exducer | Trim | A/R | Inducer | Exducer | Trim |
| Super Core PN 836041-5004S | 58mm | 76mm | 58 | 0.60 | 57mm | 54mm | 90 |
| Notes: | Turbine Kit PN | A/R | Inlet | Outlet | Wastegate | Divided | Trim |
| Super Core and Turbine Kit Sold Separately | 827690-0007 | 0.86 | T25 | 5-Bolt | Wastegated | N | 90 |
| | 740902-0051 | 0.61 | V-Band | V-band | Free Float | N | 90 |
| | 740902-0050 | 0.83 | V-Band | V-band | Free Float | N | 90 |
| | 740902-0049 | 1.01 | V-Band | V-band | Free Float | N | 90 |