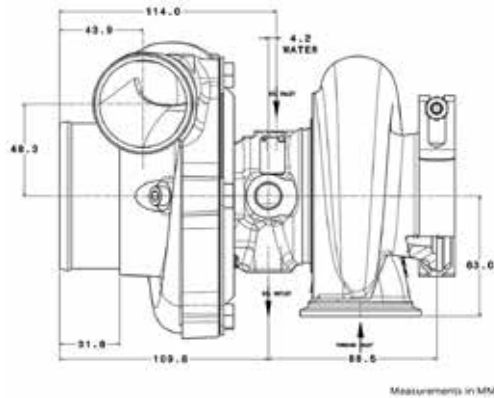
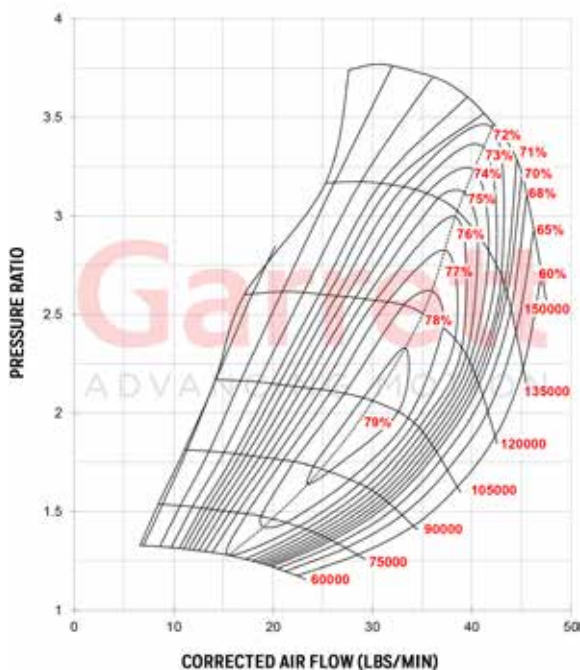


# Garrett® GTX2967R

Horsepower: 275 - 470  
Displacement: 1.8L - 3.0L



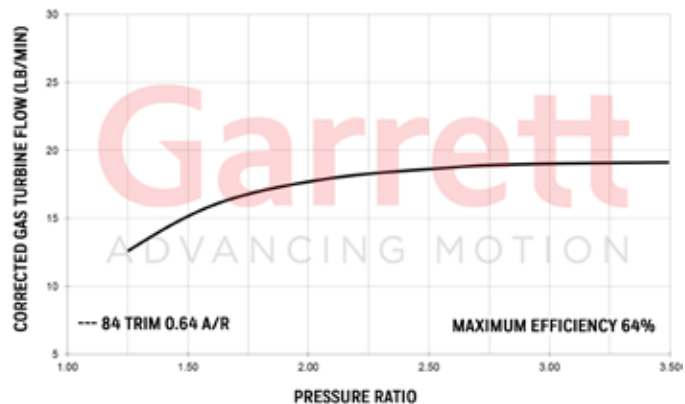
## COMPRESSOR MAP



## FEATURES:

- ◆ FEATURES ORIGINAL GTX COMP WHEEL AERODYNAMICS
- ◆ WASTEGATE ACTUATORS & BRACKET KIT AVAILABLE ON PG. 77
- ◆ SUPER CORE AND TURBINE KIT SOLD SEPARATELY

## EXHAUST FLOW CHART



GTX2967R Reference Data		Compressor				Turbine		
Super Core PN	Inducer	Exducer	Trim	A/R	Inducer	Exducer	Trim	
836041-5001S	50mm	67mm	55	0.60	57mm	52mm	84	
Notes:  Super Core and Turbine Kit Sold Separately	Turbine Kit PN	A/R	Inlet	Outlet	Wastegate	Divided	Trim	
	827690-0006	0.64	T25	5-Bolt	Wastegated	N	84	
	740902-0048	0.61	V-Band	V-band	Free Float	N	84	
	740902-0047	0.83	V-Band	V-band	Free Float	N	84	
	740902-0046	1.01	V-Band	V-band	Free Float	N	84	