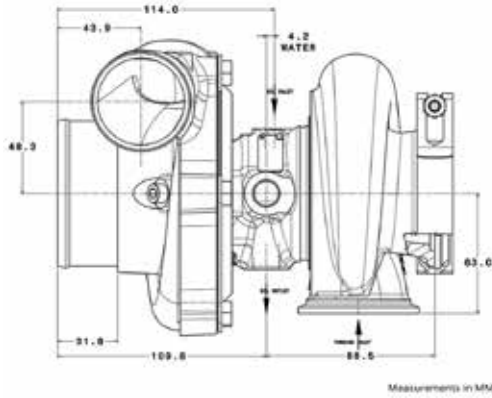


# Garrett® GTX2867R GEN II

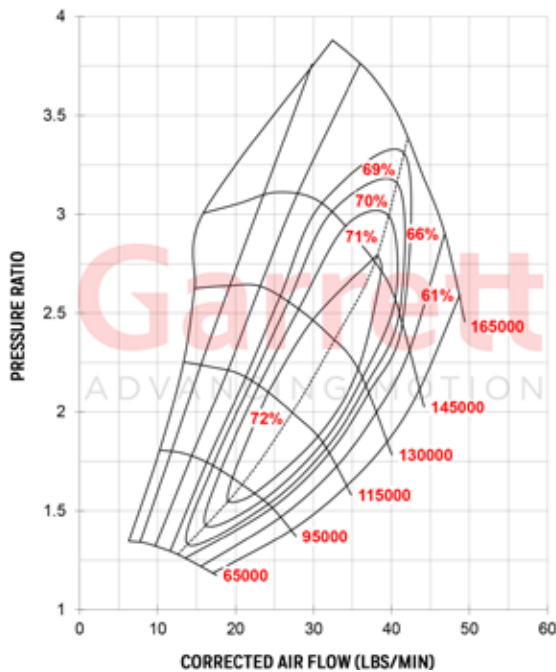


Horsepower: 275 - 550

Displacement: 1.4L - 2.5L



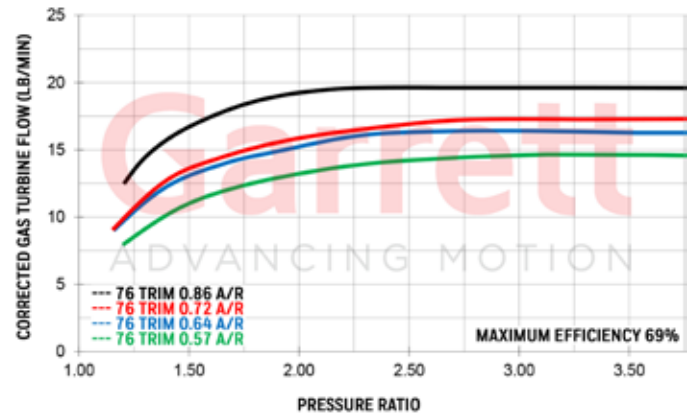
## COMPRESSOR MAP



## FEATURES:

- ◆ GEN 2 AERODYNAMICS FEATURE INCREASED HORSEPOWER RANGE
- ◆ IMPROVED PORTED SHROUD DESIGN FOR SURGE RESISTANCE
- ◆ NEW FULLY MACHINED SPEED SENSOR PORT. DETAILS ON PG. 76
- ◆ WASTEGATE ACTUATORS & BRACKET KIT AVAILABLE ON PG. 77
- ◆ SOLD AS ASSEMBLY KITS (SUPER CORE + TURBINE HSG)

## EXHAUST FLOW CHART



GTX2867R Gen II	Compressor				Turbine		
	Inducer 50mm	Exducer 67mm	Trim 55	A/R 0.60	Inducer 54mm	Exducer 47mm	Trim 76
<b>Notes:</b>	<b>Assembly Kit PN</b>		<b>A/R</b>	<b>Inlet</b>	<b>Outlet</b>	<b>Wastegate</b>	<b>Divided</b>
Assembly Kit Includes Super Core and Turbine Kit	856800-5007S		0.64	T25	5 bolt	Wastegated	N
	856800-5008S		0.86	T25	5 bolt	Wastegated	N
	856800-5005S		0.57	V-Band	V-Band	Free Float	N
	856800-5006S		0.72	V-Band	V-Band	Free Float	N