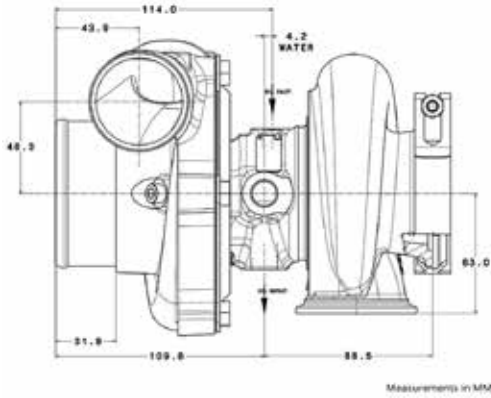


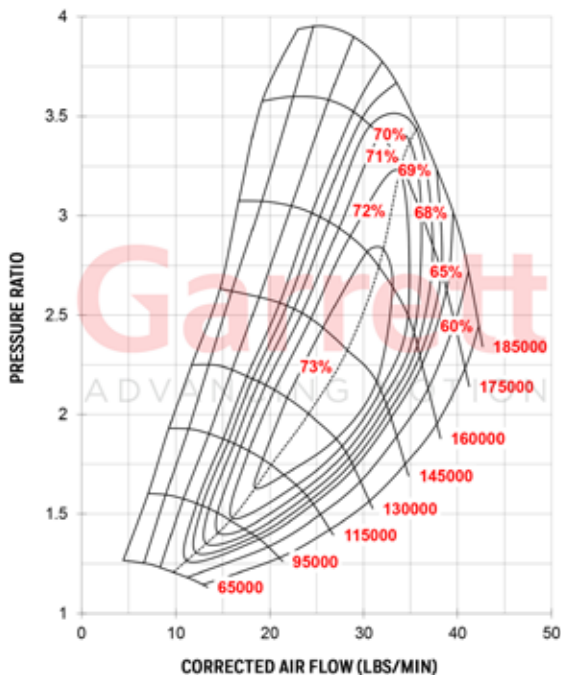
Garrett® GTX2860R GEN II



Horsepower: 200 - 475
Displacement: 1.4L - 2.5L



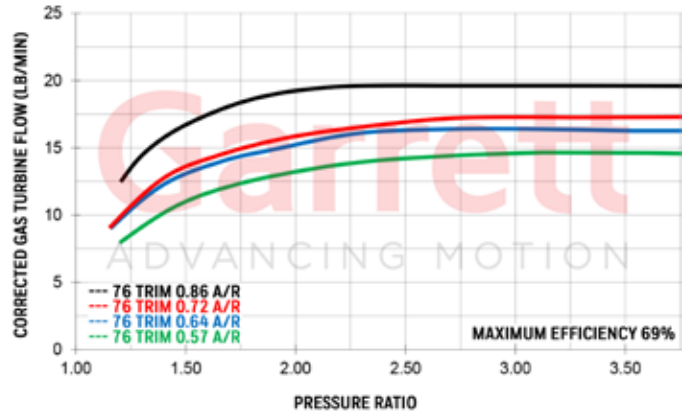
COMPRESSOR MAP



FEATURES:

- ◆ GEN 2 AERODYNAMICS FEATURE INCREASED HORSEPOWER RANGE
- ◆ IMPROVED PORTED SHROUD DESIGN FOR SURGE RESISTANCE
- ◆ NEW FULLY MACHINED SPEED SENSOR PORT. DETAILS ON PG. 76
- ◆ WASTEGATE ACTUATORS & BRACKET KIT AVAILABLE ON PG. 77
- ◆ SOLD AS ASSEMBLY KITS (SUPER CORE + TURBINE HSG)

EXHAUST FLOW CHART



GTX2860R Gen II	Compressor				Turbine		
	Inducer	Exducer	Trim	A/R	Inducer	Exducer	Trim
	46mm	60mm	58	0.60	54mm	47mm	76
Notes:	Assembly Kit PN		A/R	Inlet	Outlet	Wastegate	Divided
Assembly Kit Includes Super Core and Turbine Kit	856800-5003S		0.64	T25	5 bolt	Wastegated	N
	856800-5004S		0.86	T25	5 bolt	Wastegated	N
	856800-5001S		0.57	V-Band	V-Band	Free Float	N
	856800-5002S		0.72	V-Band	V-Band	Free Float	N