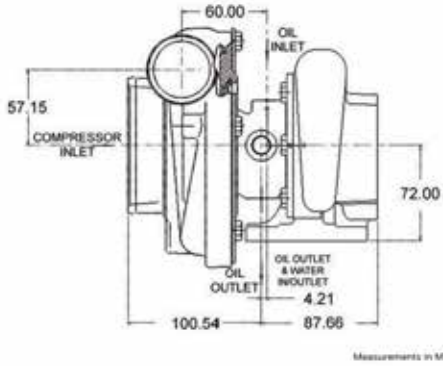
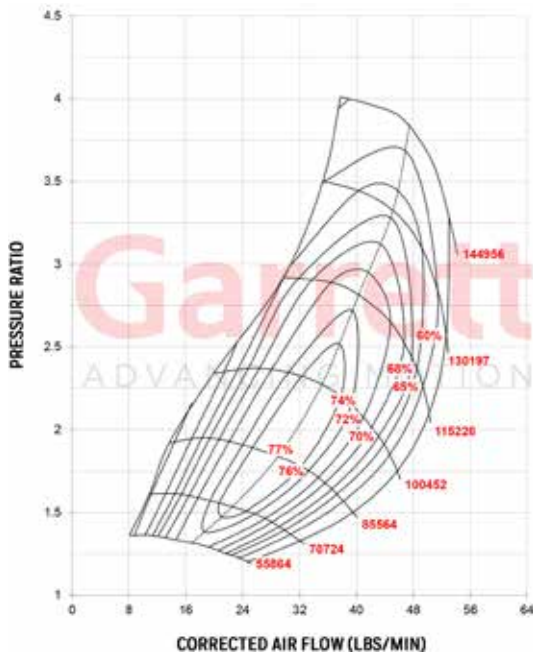


# Garrett® GT3076R

Horsepower: 310 - 525  
Displacement: 2.0L - 3.5L



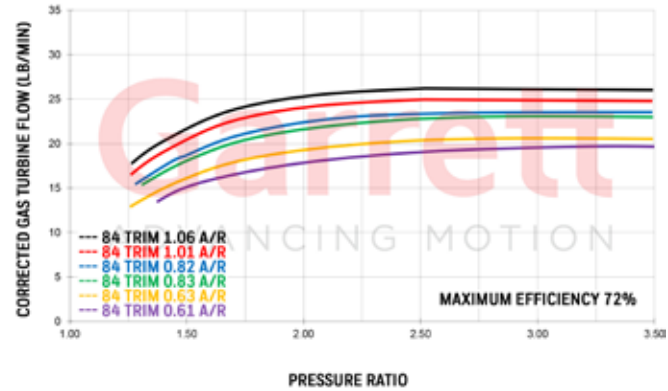
## COMPRESSOR MAP



## FEATURES:

- ◆ ORIGINAL GT SERIES AERODYNAMICS
- ◆ INTERNALLY WASTEGATED TURBINE HOUSING
- ◆ NON WASTEGATED TURBINE HOUSINGS AVAILABLE
- ◆ BALL BEARING CONFIGURATION WITH WATER COOLED CHRA
- ◆ V-BAND TURBINE HOUSING OPTIONS

## EXHAUST FLOW CHART



GT3076R Reference Data	Compressor				Turbine		
	Inducer	Exducer	Trim	A/R	Inducer	Exducer	Trim
Super Core PN 836028-5003S	57mm	76mm	56	0.60	60mm	55mm	84
Notes:	Turbine Kit PN	A/R	Inlet	Outlet	Wastegate	Divided	Trim
Super Core and Turbine Kit Sold Separately	740902-0009	0.63	T3	V-Band	Free Float	N	84
	740902-0008	0.82	T3	V-Band	Free Float	N	84
	740902-0007	1.06	T3	V-Band	Free Float	N	84
	740902-0036	0.61	V-Band	V-Band	Free Float	N	84
	740902-0035	0.83	V-Band	V-Band	Free Float	N	84
740902-0034	1.01	V-Band	V-Band	Free Float	N	84	
Wastegated Turbine Assembly does not include bolts, clamps, or actuator	Turbine Asbly PN	A/R	Inlet	Outlet	Wastegate	Divided	Trim
	771300-0006	0.63	T3	5 bolt	Wastegated	N	84
	771300-0005	0.82	T3	5 bolt	Wastegated	N	84
	771300-0004	1.06	T3	5 bolt	Wastegated	N	84