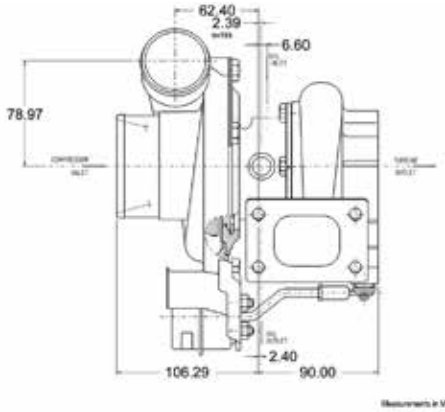
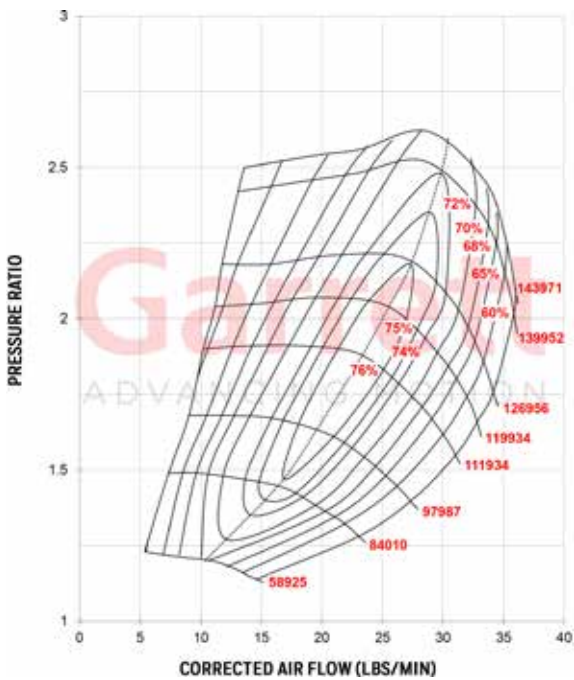


Garrett® GT2860RS

Horsepower: 250 - 360
 Displacement: 1.8L - 3.0L



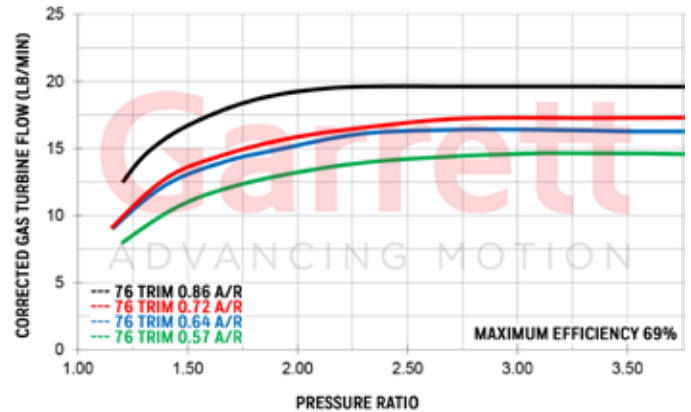
COMPRESSOR MAP



FEATURES:

- ◆ ORIGINAL GT SERIES AERODYNAMICS
- ◆ INTERNALLY WASTEGATED TURBINE HOUSING
- ◆ SOLD AS A COMPLETE TURBO (INCLUDES TURBINE KIT & ACTUATOR)
- ◆ BALL BEARING CONFIGURATION WITH WATER COOLED CHRA
- ◆ V-BAND TURBINE HOUSING OPTIONS

EXHAUST FLOW CHART



GT2860RS Reference Data		Compressor			Turbine			
Turbo PN	Inducer	Exducer	Trim	A/R	Inducer	Exducer	Trim	A/R
836026-5013S	47mm	60mm	62	0.60	54mm	47mm	76	0.86
836026-5014S	47mm	60mm	62	0.60	54mm	47mm	76	0.64
Notes: Additional turbine housing options may require modifications to the exhaust system to fit.		Turbine Kit PN	A/R	Inlet	Outlet	Wastegate	Divided	Trim
		827690-0005	0.64	T25	5-Bolt	Wastegated	N	76
		827690-0004	0.86	T25	5-Bolt	Wastegated	N	76
		827690-0001	0.57	V-Band	V-Band	Free Float	N	76
		827690-0002	0.72	V-Band	V-Band	Free Float	N	76