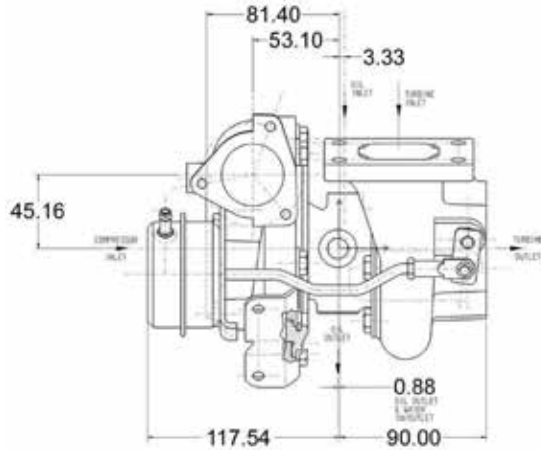


Garrett® GT2560R

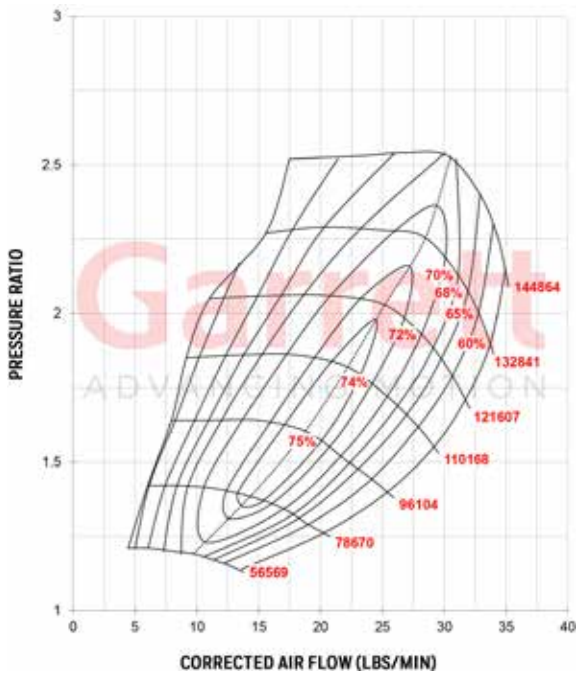
Horsepower: 200 - 330
 Displacement: 1.6L - 2.5L



Measurements in MM



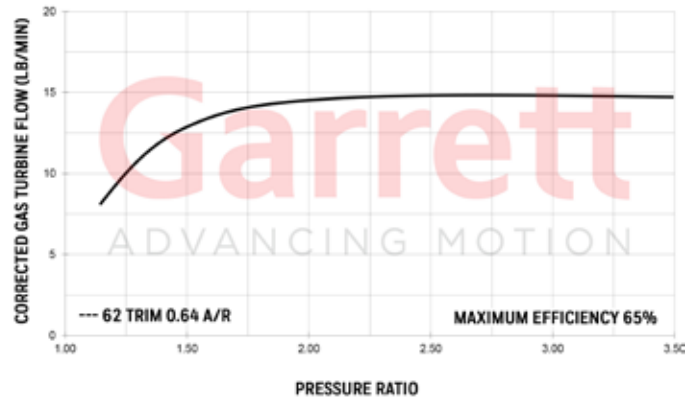
COMPRESSOR MAP



FEATURES:

- ◆ ORIGINAL GT SERIES AERODYNAMICS
- ◆ INTERNALLY WASTEGATED TURBINE HOUSING
- ◆ SOLD AS A COMPLETE TURBO (INCLUDES TURBINE KIT & ACTUATOR)
- ◆ BALL BEARING CONFIGURATION WITH WATER COOLED CHRA

EXHAUST FLOW CHART



| GT2560R Reference Data | Compressor | | | | Turbine | | | |
|------------------------|------------|---------|---------|------|---------|---------|---------|------|
| | Turbo PN | Inducer | Exducer | Trim | A/R | Inducer | Exducer | Trim |
| 836023-5004S | 46mm | 60mm | 60 | 0.80 | 53mm | 42mm | 62 | 0.64 |