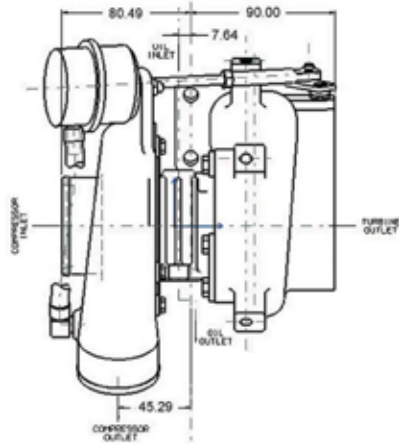


Garrett® GT2252

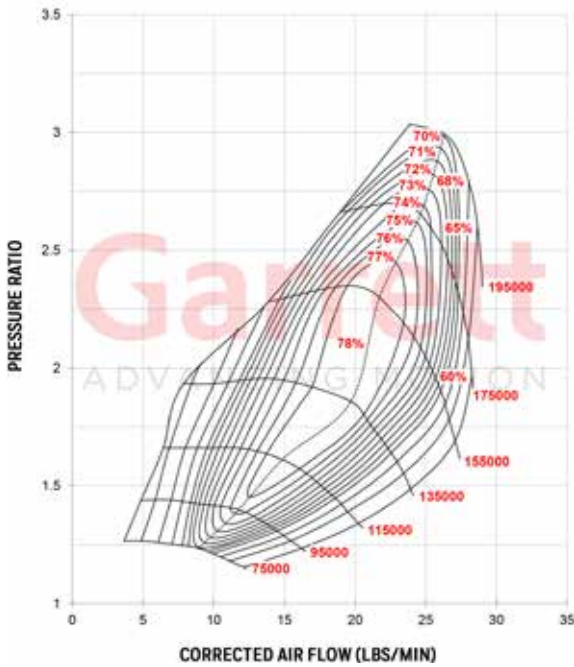
Horsepower: 150 - 260
 Displacement: 1.7L - 2.5L



Measurements in MM



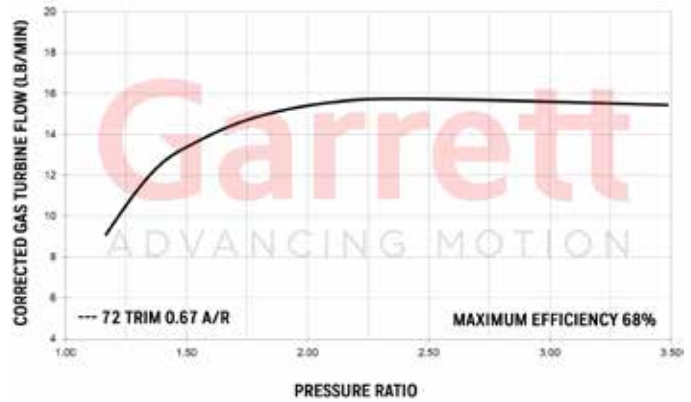
COMPRESSOR MAP



FEATURES:

- ◆ ORIGINAL GT SERIES AERODYNAMICS
- ◆ INTERNALLY WASTEGATED TURBINE HOUSING
- ◆ SOLD AS A COMPLETE TURBO (INCLUDES TURBINE KIT & ACTUATOR)
- ◆ JOURNAL BEARING CONFIGURATION
- ◆ OIL COOLED CHRA

EXHAUST FLOW CHART



| GT2252 Reference Data | Compressor | | | | Turbine | | | |
|-----------------------|------------|---------|------|------|---------|---------|------|------|
| Turbo PN | Inducer | Exducer | Trim | A/R | Inducer | Exducer | Trim | A/R |
| 452187-5006S | 40mm | 52mm | 60 | 0.51 | 50mm | 43mm | 72 | 0.67 |