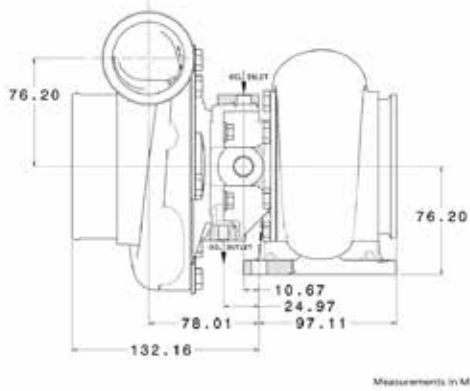
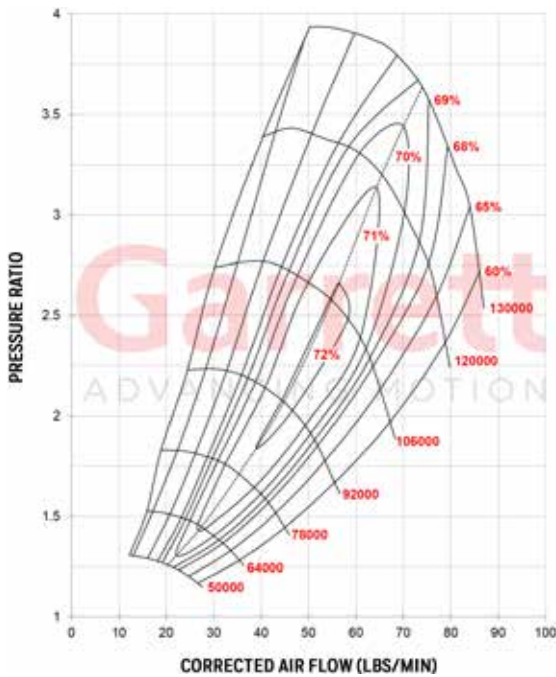


Garrett® GTW3884R

Horsepower: 450 - 950
Displacement: 2.0L - 6.0L



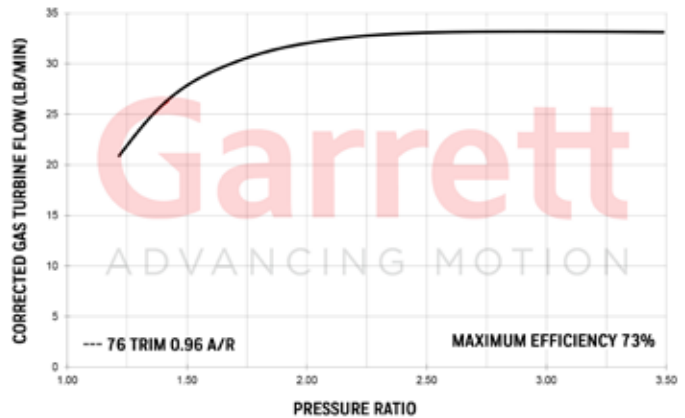
COMPRESSOR MAP



FEATURES:

- ◆ PORTED SHROUD DESIGN FOR SURGE RESISTANCE
- ◆ AVAILABLE IN BOTH JOURNAL BEARING AND BALL BEARING OPTIONS
- ◆ FORGED FULLY-MACHINED BILLET COMPRESSOR WHEEL
- ◆ INCONEL SUPER-ALLOY TURBINE WHEEL
- ◆ LIGHTWEIGHT ALUMINUM BACKPLATE

EXHAUST FLOW CHART



GTW3884R Reference Data	Compressor				Turbine		
	Super Core PN	Inducer	Exducer	Trim	A/R	Inducer	Exducer
841297-5003S	62mm	84mm	54	0.70	74mm	65mm	76
841297-5004S	64mm	84mm	58	0.70	74mm	65mm	76
841297-5005S	67mm	84mm	64	0.70	74mm	65mm	76
841691-5003S	62mm	84mm	54	0.70	74mm	65mm	76
841691-5004S	64mm	84mm	58	0.70	74mm	65mm	76
841691-5005S	67mm	84mm	64	0.70	74mm	65mm	76
Notes: Super Core and Turbine Kit Sold Separately	Turbine Kit PN	A/R	Inlet	Outlet	Wastegate	Divided	Trim
	844669-0009	0.96	T4	V-Band	Free Float	N	76
	844669-0010	1.14	T4	V-Band	Free Float	N	76

*841297 Journal Bearing

*841691 Ball Bearing