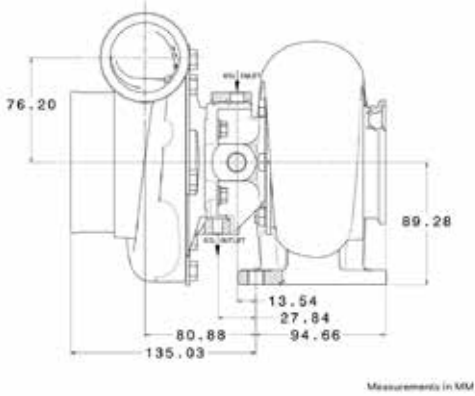
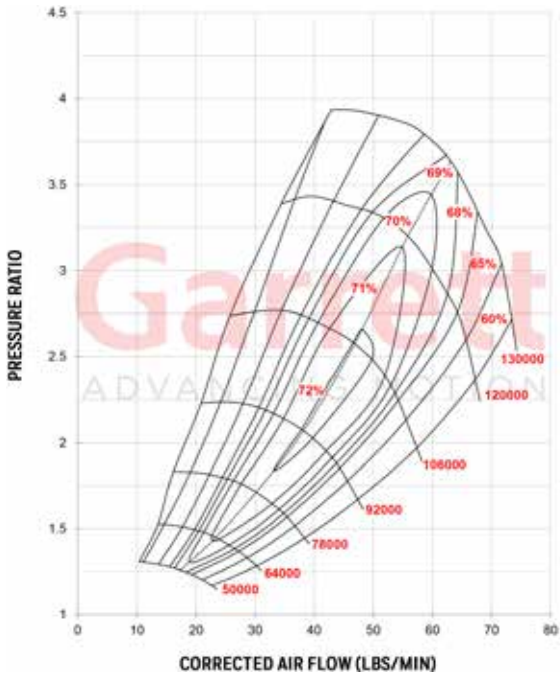


# Garrett® GTW3684R

Horsepower: 425 - 750  
 Displacement: 2.0L - 5.3L



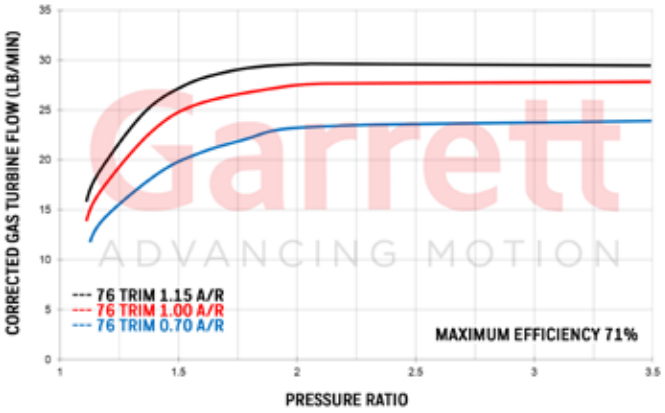
## COMPRESSOR MAP



## FEATURES:

- ◆ PORTED SHROUD DESIGN FOR SURGE RESISTANCE
- ◆ AVAILABLE IN BOTH JOURNAL BEARING AND BALL BEARING OPTIONS
- ◆ FORGED FULLY-MACHINED BILLET COMPRESSOR WHEEL
- ◆ TURBINE HOUSINGS AVAILABLE IN DIVIDED CONFIGURATION
- ◆ LIGHTWEIGHT ALUMINUM BACKPLATE

## EXHAUST FLOW CHART



GTW3684R Reference Data	Compressor				Turbine		
	Super Core PN	Inducer	Exducer	Trim	A/R	Inducer	Exducer
841297-5002S	62mm	84mm	54	0.70	71mm	62mm	76
841691-5002S	62mm	84mm	54	0.70	71mm	62mm	76
<b>Notes:</b>	<b>Turbine Kit PN</b>	<b>A/R</b>	<b>Inlet</b>	<b>Outlet</b>	<b>Wastegate</b>	<b>Divided</b>	<b>Trim</b>
Super Core and Turbine Kit Sold Separately	844669-0005	0.70	T4	V-Band	Free Float	Y	76
	844669-0006	1.00	T4	V-Band	Free Float	Y	76
	844669-0007	1.15	T4	V-Band	Free Float	Y	76

\*841297 Journal Bearing  
 \*841691 Ball Bearing