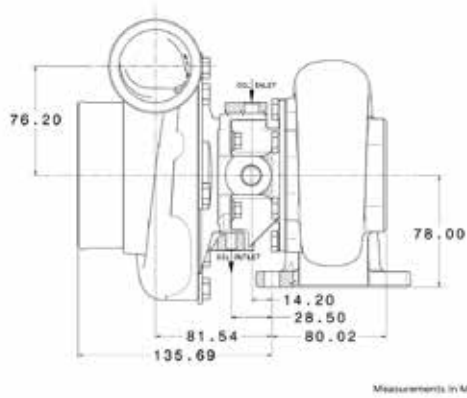
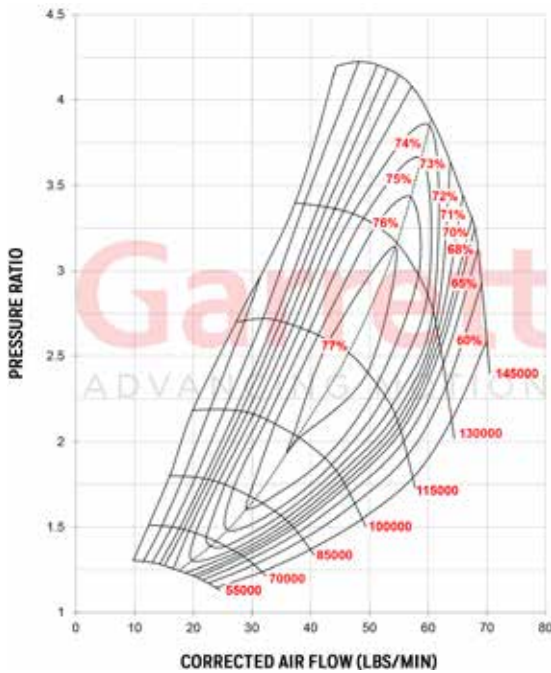


Garrett® GTW3476R

Horsepower: 450 - 700
Displacement: 2.0L - 4.5L



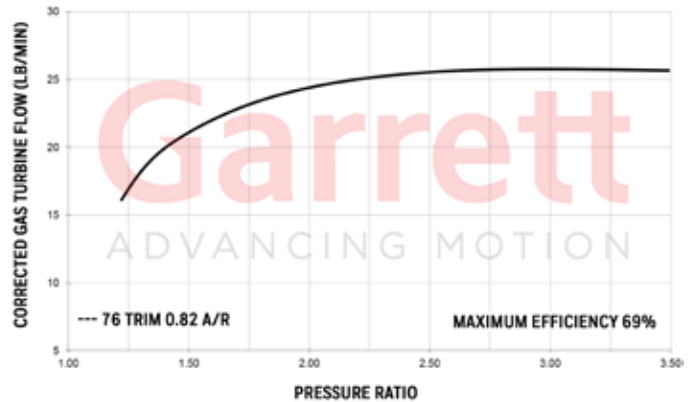
COMPRESSOR MAP



FEATURES:

- ◆ PORTED SHROUD DESIGN FOR SURGE RESISTANCE
- ◆ AVAILABLE IN BOTH JOURNAL BEARING AND BALL BEARING OPTIONS
- ◆ FORGED FULLY-MACHINED BILLET COMPRESSOR WHEEL
- ◆ LIGHTWEIGHT ALUMINUM BACKPLATE
- ◆ INCONEL SUPER-ALLOY TURBINE WHEEL

EXHAUST FLOW CHART



GTW3476R Reference Data	Compressor				Turbine		
	Super Core PN	Inducer	Exducer	Trim	A/R	Inducer	Exducer
841297-5001S	58mm	76mm	58	0.70	65mm	57mm	76
841691-5001S	58mm	76mm	58	0.70	65mm	57mm	76
Notes:	Turbine Kit PN	A/R	Inlet	Outlet	Wastegate	Divided	Trim
Super Core and Turbine Kit Sold Separately	844669-0001	0.48	T3	4-Bolt	Free Float	N	76
	844669-0002	0.63	T3	4-Bolt	Free Float	N	76
	844669-0003	0.82	T3	4-Bolt	Free Float	N	76

*841297 Journal Bearing
*841691 Ball Bearing