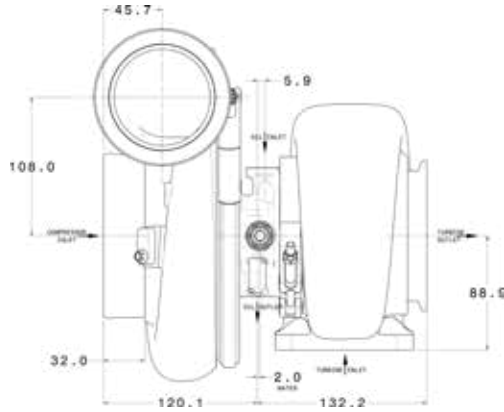


# Garrett® G42-1450

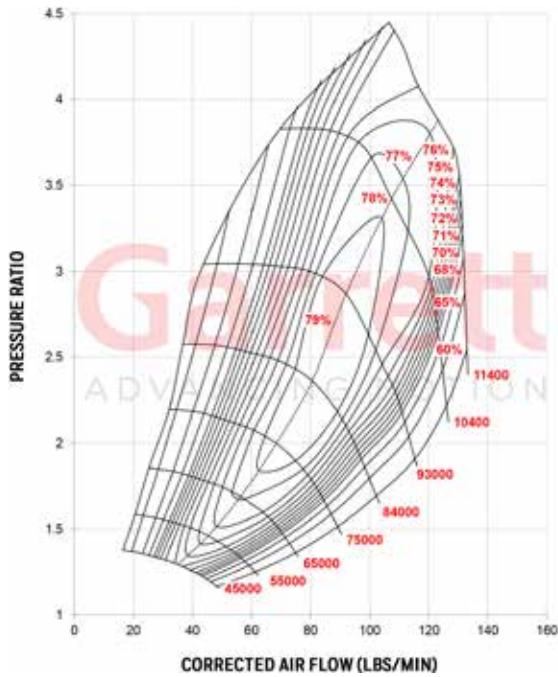
**NEW PRODUCT**

**Garrett**  
ADVANCING MOTION

Horsepower: 525 - 1450  
Displacement: 2.0L - 8.0L



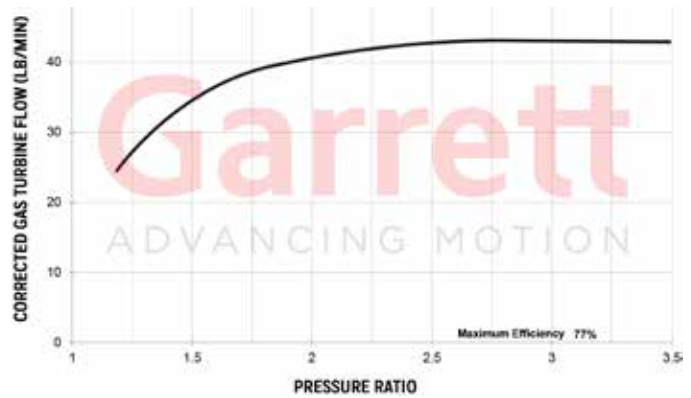
## COMPRESSOR MAP



## FEATURES:

- ◆ GARRETT® G SERIES COMPRESSOR AERODYNAMICS FOR MAXIMUM HP
- ◆ FULLY MACHINED SPEED SENSOR AND PRESSURE PORTS
- ◆ NEW TURBINE WHEEL AERO CONSTRUCTED OF MAR-M ALLOY RATED FOR UP TO 1050° C
- ◆ STAINLESS STEEL WASTEGATED AND NON WASTEGATED TURBINE HOUSING OPTIONS RATED FOR UP TO 1050° C
- ◆ OIL RESTRICTOR AND WATER FITTINGS INCLUDED

## EXHAUST FLOW CHART



G42-1450	Compressor				Turbine		
	Inducer	Exducer	Trim	A/R	Inducer	Exducer	Trim
	79mm	98mm	65	0.85	82mm	75mm	84
Standard Rotation	Assembly Kit PN		A/R	Inlet	Outlet	Wastegate	Divided
Assembly Kit Includes Super Core and Turbine Kit	879779-5013S		1.01	V-Band	V-Band	Free Float	Y
	879779-5014S		1.15	V-Band	V-Band	Free Float	Y
	879779-5015S		1.28	V-Band	V-Band	Free Float	Y

\*Additional turbine housing options coming soon. Please check [GarrettMotion.com](http://GarrettMotion.com) for latest updates.