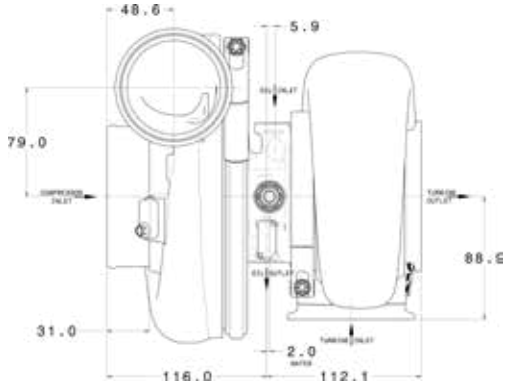


Garrett® G42-1200 Compact

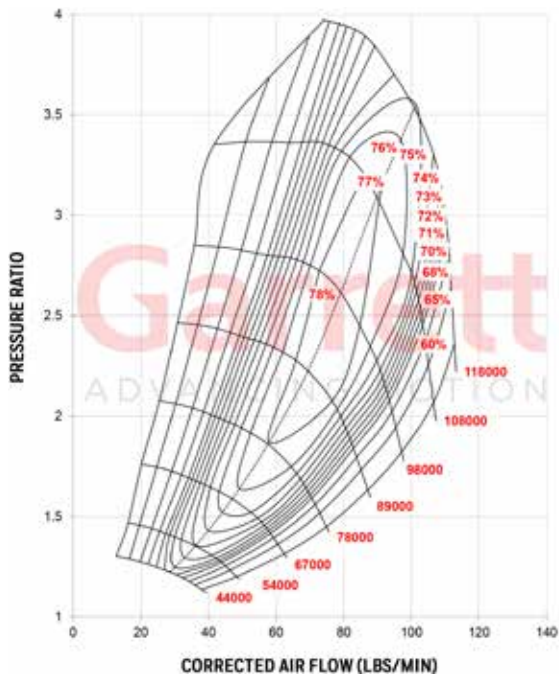
NEW PRODUCT

Garrett
ADVANCING MOTION

Horsepower: 475 - 1200
Displacement: 2.0L - 7.0L



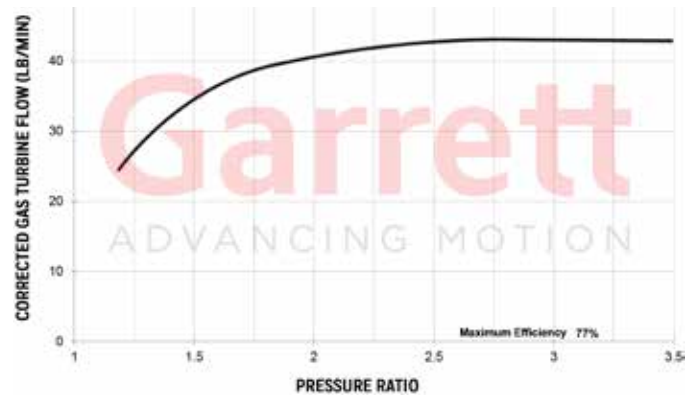
COMPRESSOR MAP



FEATURES:

- ◆ GARRETT® G SERIES COMPRESSOR AERODYNAMICS FOR MAXIMUM HP
- ◆ FULLY MACHINED SPEED SENSOR AND PRESSURE PORTS
- ◆ NEW TURBINE WHEEL AERO CONSTRUCTED OF MAR-M ALLOY RATED FOR UP TO 1050° C
- ◆ STAINLESS STEEL WASTEGATED AND NON WASTEGATED TURBINE HOUSING OPTIONS RATED FOR UP TO 1050° C
- ◆ OIL RESTRICTOR AND WATER FITTINGS INCLUDED

EXHAUST FLOW CHART



G42-1200 Compact	Compressor				Turbine		
	Inducer	Exducer	Trim	A/R	Inducer	Exducer	Trim
	73mm	91mm	65	0.90	82mm	75mm	84
Standard Rotation	Assembly Kit PN		A/R	Inlet	Outlet	Wastegate	Divided
Assembly Kit Includes Super Core and Turbine Kit	879779-5001S		1.01	V-Band	V-Band	Free Float	Y
	879779-5002S		1.15	V-Band	V-Band	Free Float	Y
	879779-5003S		1.28	V-Band	V-Band	Free Float	Y

*Additional turbine housing options coming soon. Please check GarrettMotion.com for latest updates.