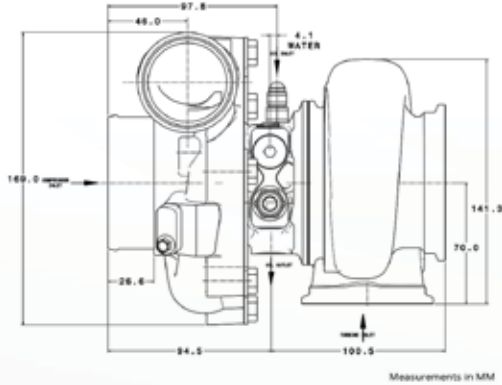


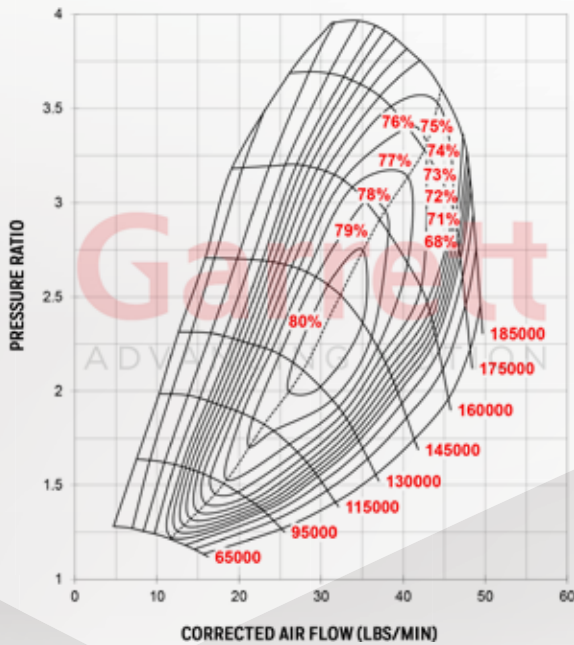
# Garrett® G25-550 NEW PRODUCT



Horsepower: 300 - 550  
Displacement: 1.4L - 3.0L



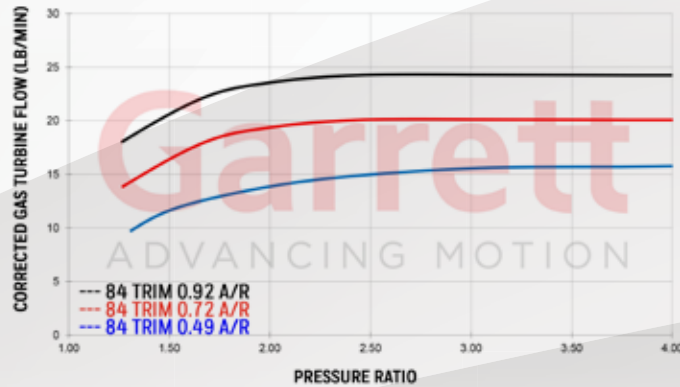
## COMPRESSOR MAP



### FEATURES:

- ◆ GARRETT® G SERIES COMPRESSOR AERODYNAMICS FOR MAXIMUM HP
- ◆ FULLY MACHINED SPEED SENSOR AND PRESSURE PORTS
- ◆ NEW TURBINE WHEEL AERO CONSTRUCTED OF MAR-M ALLOY RATED FOR UP TO 1050° C
- ◆ STAINLESS STEEL WASTEGATED AND NON WASTEGATED TURBINE HOUSING OPTIONS RATED FOR UP TO 1050° C
- ◆ OIL RESTRICTOR AND WATER FITTINGS INCLUDED

## EXHAUST FLOW CHART



G25-550   Reference Data	Compressor				Turbine		
	Inducer	Exducer	Trim	A/R	Inducer	Exducer	Trim
	48mm	60mm	65	0.70	54mm	49mm	84
<b>Internal Wastegate Configuration: Standard Rotation</b>	<b>Turbo PN</b>	<b>A/R</b>	<b>Inlet</b>	<b>Outlet</b>	<b>Wastegate</b>	<b>Divided</b>	
Internally wastegated options fully assembled and calibrated by Garrett® Includes 1.0 bar actuator (14.7PSI).	877895-5001S	0.49	T25	V-Band	Yes	N	
	877895-5003S	0.72	V-Band	V-Band	Yes	N	
	877895-5004S	0.92	V-Band	V-Band	Yes	N	
	877895-5011S	0.92	T4	V-Band	Yes	Yes	
<b>Internal Wastegate Configuration: Reverse Rotation</b>	<b>Turbo PN</b>	<b>A/R</b>	<b>Inlet</b>	<b>Outlet</b>	<b>Wastegate</b>	<b>Divided</b>	
Internally wastegated options fully assembled and calibrated by Garrett® Includes 1.0 bar actuator (14.7PSI).	877895-5007S	0.72	V-Band	V-Band	Yes	N	
	877895-5008S	0.92	V-Band	V-Band	Yes	N	
	877895-5013S	0.92	T4	V-Band	Yes	Yes	
<b>Non-Wastegated Configuration: Standard Rotation</b>	<b>Assembly Kit PN</b>	<b>A/R</b>	<b>Inlet</b>	<b>Outlet</b>	<b>Wastegate</b>	<b>Divided</b>	
Externally wastegated options include super core and turbine housing in separate boxes. Assembly required.	871389-5004S	0.72	V-Band	V-Band	No	N	
	871389-5005S	0.92	V-Band	V-Band	No	N	
<b>Non-Wastegated Configuration: Reverse Rotation</b>	<b>Assembly Kit PN</b>	<b>A/R</b>	<b>Inlet</b>	<b>Outlet</b>	<b>Wastegate</b>	<b>Divided</b>	
Externally wastegated options include super core and turbine housing in separate boxes. Assembly required.	871390-5004S	0.72	V-Band	V-Band	No	N	
	871390-5005S	0.92	V-Band	V-Band	No	N	