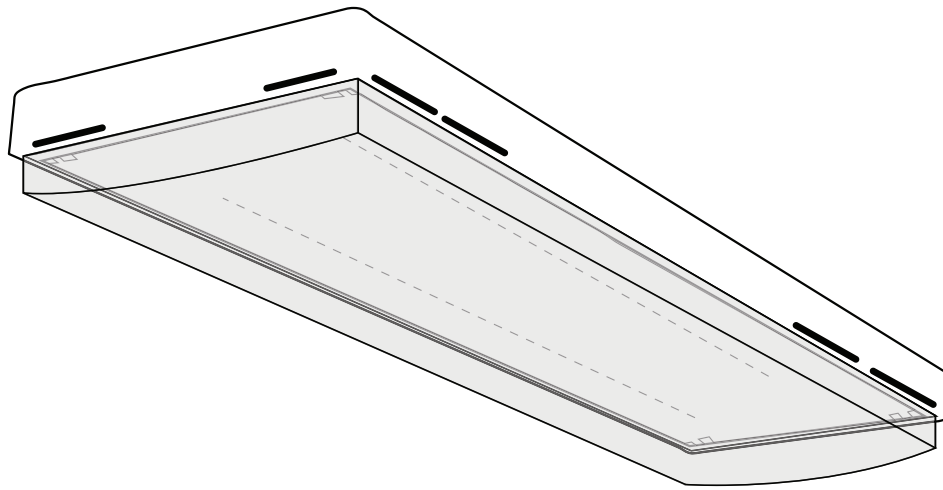




Installation Manual

HB Series LED Linear High Bay Retrofit/Luminaire



WARRANTY INFORMATION

Failure is defined as having 7% or more LEDs not illuminated in a light fixture. LEDs that fail within the manufacturer's warranty period will be exchanged.

AmLED Technologies will not honor a cash reimbursement claim to cover material charges for replacement material. No charges for rental of equipment, travel time or labor will be accepted.

LED fixtures including the light source, housing, cables, etc. are warranted for a period of 5 years; however the warranty does not cover failures due to abnormal conditions. These abnormal conditions include, but are not limited to, under/over voltage, under/over current, excessive switching and excessive ambient temperatures.

WARRANTY APPLIES

This warranty only applies to products that are properly installed following the directions in the product's installation instructions, in their intended application and used in compliance with all applicable local, state and national safety regulations and codes. AmLED Technologies will not warrant products damaged due to installer connections and/or assembly errors.

Damage or failure caused by acts of god, falling objects, explosion, fire, misuse or abuse in application.

WARNING: Risk of fire or electric shock. LED Retrofit installation requires knowledge of luminaires electrical systems. If not qualified, do not attempt installation. Contact a qualified electrician.

WARNING: Risk of fire or electric shock. Install this kit only in the luminaires that have the construction features and dimensions shown in the photographs and/or drawings.

Only those open holes indicated in the photographs and/or drawings may be made or altered as a result of this kit installation. Do not leave any other open holes in an enclosure of wiring or electrical components.

WARNING: To prevent wiring damage or abrasion, do not expose wiring to edges of sheet metal or sharp objects.

THE RETROFIT KIT IS ACCEPTED AS A COMPONENT OF A LUMINAIRE WHERE THE SUITABILITY OF THE COMBINATION SHALL BE DETERMINED BY CSA OR AUTHORITIES HAVING JURISDICTION.

LINEAR HIGH BAY RETROFIT

Existing Housing Fixture

PLEASE READ ENTIRE DOCUMENT BEFORE INSTALLATION

WARNING: Improper installation could result in product damage and void all warranties.

WARNING: Disconnect all power before servicing.
Risk of electrical shock or fire.

1) WARNING – RISK OF FIRE OR ELECTRIC SHOCK. INSTALLATION OF THIS RETROFIT KIT REQUIRES A PERSON FAMILIAR WITH THE CONSTRUCTION AND OPERATION OF THE LUMINAIRE'S ELECTRICAL SYSTEM AND THE HAZARD INVOLVED. IF NOT QUALIFIED, DO NOT ATTEMPT INSTALLATION. CONTACT A QUALIFIED ELECTRICIAN.

AVERTISSEMENT – RISQUE D'INCENDIE OU DE CHOC ÉLECTRIQUE. L'INSTALLATION DE CE NÉCESSAIRE DE MODERNISATION EXIGE UNE PERSONNE FAMILIÈRE AVEC LA CONSTRUCTION ET LE FONCTIONNEMENT DU SYSTÈME ÉLECTRIQUE DU LUMINAIRE ET DES RISQUES ASSOCIÉS. TOUTE PERSONNE QUI N'EST PAS QUALIFIÉE NE DOIT FAIRE AUCUNE TENTATIVE D'INSTALLATION ET DOIT CONTACTER UN ÉLECTRICIEN QUALIFIÉ.

2) WARNING – Risk of fire or electric shock. Install this kit only in luminaires that have the construction features and dimensions shown in the photographs and/or drawings and where the input rating of the retrofit kit does not exceed the input rating of the luminaire.

AVERTISSEMENT - Risque d'incendie ou de choc électrique. Installez ce kit uniquement dans des luminaires qui ont les caractéristiques et les dimensions de la construction indiquées dans les photographies et / ou les dessins et où la note d'entrée du kit de rééquipement ne dépasse pas la note d'entrée du luminaire

3) WARNING – RISK OF FIRE OR ELECTRIC SHOCK. DO NOT ALTER, RELOCATE, OR REMOVE WIRING, LAMP HOLDERS, POWER SUPPLY, OR ANY OTHER ELECTRICAL COMPONENT.

AVERTISSEMENT – RISQUE D'INCENDIE OU DE CHOC ÉLECTRIQUE. NE PAS MODIFIER, DÉPLACER OU D'ENLEVER LE CÂBLAGE, LES DOUILLES, L'ALIMENTATION, OU TOUT AUTRE COMPOSANT ÉLECTRIQUE

4) WARNING – ONLY THOSE OPEN HOLES INDICATED IN THE PHOTOGRAPHS AND/OR DRAWINGS MAY BE MADE OR ALTERED AS A RESULT OF KIT INSTALLATION. DO NOT LEAVE ANY OTHER OPEN HOLES IN AN ENCLOSURE OF WIRING OR ELECTRICAL COMPONENTS.

SEULS LES OUVERTURES INDIQUÉES DANS LES PHOTOS ET/OU LES DESSINS PEUVENT ÊTRE FAITS OU MODIFIÉS À LA SUITE DE L'INSTALLATION DU NÉCESSAIRE. IL EST INTERDIT DE LAISSER D'AUTRES OUVERTURES DANS UN BOÎTIER DE CÂBLAGE OU DE COMPOSANTS ÉLECTRIQUES.

5) WARNING – TO PREVENT WIRING DAMAGE OR ABRASION, DO NOT EXPOSE WIRING TO EDGES OF SHEET METAL OR OTHER SHARP OBJECTS.

AVERTISSEMENT – AFIN DE PRÉVENIR L'ENDOMMAGEMENT OU L'ABRASION DES CÂBLES, ÉVITER TOUT CONTACT ENTRE CES DERNIERS ET LE BORD D'UN OBJET TRANCHANT TEL QU'UNE TÔLE.

PARTS LIST

1. LED fixture plate with LED boards
2. Power supply (connected to LED fixture plate)
3. Existing UL listed fixture housing
4. Existing fixture lens

INSTRUCTIONS

1. Remove existing reflector, disconnect power to ballast, remove sockets and ballast from UL listed fluorescent fixture housing
2. Attach AC Side (2a) of power supply (Part 2) to branch circuit (3a) in accordance with national and local code
3. Refer to Diagram 2 for wiring instructions
4. Secure LED fixture plate (Part 1) with attached power supply (Part 2) to existing fixtures housing (Part 3) by inserting 4 tabs (A) of fixture plate into 4 slots (B) of fixture housing
5. Resecure existing fixture lens (Part 4) to housing (Part 3) utilizing 12 existing fixture clips (C)

NOTICE: Part 1 & 2 come as a retrofit kit, together with parts 3 & 4 it is a fully assembled luminaire

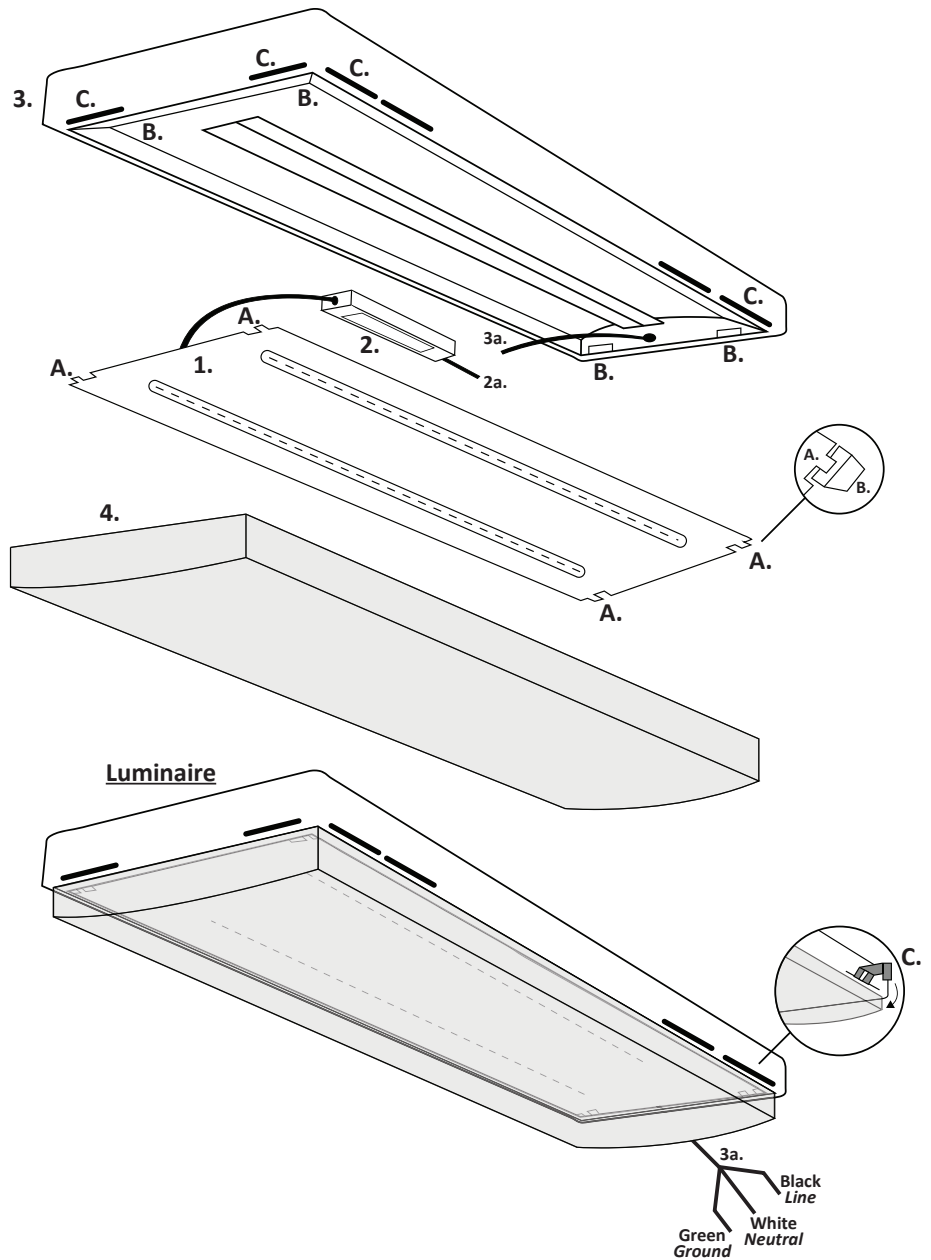


Diagram 2 (Wiring Diagram)

