

# LED Pole Luminaire



## R2T Series Pole Luminaire

### Product Enlightenment

R2T Series Pole luminaires are designed to ensure higher performance, longer life time and better efficiency. These luminaires can be installed for new construction and replacing existing luminaires. Our slimline series R2T Series Pole luminaires are available in different housing colors and lens options. These luminaires are well suited for area lighting, parking lot and residential street.

### Product Attribute

**Initial Delivered Lumens:** 8,500 to 18,500 lumens

**Input Power:** 65\*, 90\*, 125 and 150 Watts

**CRI:** 84

**CCT:** 4000K\*, 5000K\*, 5700K

**Input Voltage:** 120-277 VAC

**Power Factor :** ≥ 0.9

**Controls:** 1-10V dimming /Occupancy/Daylight Sensing (optional)

**Patented Design**

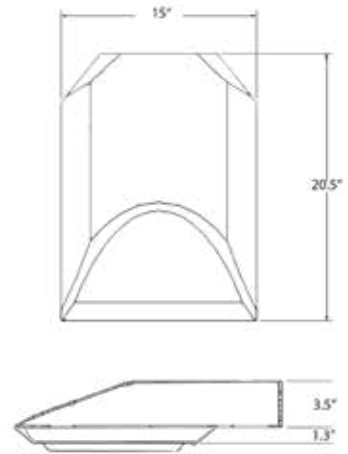
**Warranty:** 7 years limited

\*check availability

### Part Number Matrix

| R2TXXXXXXXXXX-X |                            |                  |                      |                            |                                  |                                       |                     |              |
|-----------------|----------------------------|------------------|----------------------|----------------------------|----------------------------------|---------------------------------------|---------------------|--------------|
| R2T             | XXX                        | X                | X                    | X                          | XX                               | X                                     | X                   | X            |
| Product Family  | Watts                      | Lens Shape       | Lens Type            | Lens Material              | Color Temperature                | Trim Color                            | Dimming Option      | Product Type |
| R2T             | 65W<br>90W<br>125W<br>150W | D-Drop<br>F-Flat | C-Clear<br>F-Frosted | P-Polycarbonate<br>G-Glass | 40-4000K<br>50-5000K<br>57-5700K | W-White<br>R-Red<br>G-Green<br>B-Blue | N-Non<br>D-Dimmable | P-Pole       |

### Dimensions



### Luminaire Replacement\*

| WATTS | LUMENS | REPLACE METAL HALIDE | MOUNTING HEIGHT |
|-------|--------|----------------------|-----------------|
| 65    | 8500   | 175W                 | 12'TO 18'       |
| 90    | 11300  | 250W                 | 16'TO 24'       |
| 125   | 15500  | 320W                 | 16'TO 24'       |
| 150   | 18500  | 400W                 | 16'TO 24'       |



# R2T Series Pole Luminaire

## Product Technical Information

### CONSTRUCTION & MATERIALS

- Die cast aluminum heatsink
- Polyester powder coating
- Tempered glass lens/poly carbonate covers LED
- Swivel mount & Straight mount options

### ELECTRICAL SYSTEM

- **Input Power** : 65, 90, 125 & 150W
- **Input Voltage** : 120-277V
- **Power Factor** :  $\geq 0.9$
- **Protections** : Short circuit / Over current / Over voltage / Over temperature  
Surge protection upto 10 kv
- **Dimming** : 1-10V / PWM / Resistance
- **Driver** : High efficient external
- **Operating Temperature Range** :  $-40^{\circ}\text{C}$  to  $+55^{\circ}\text{C}$  ( $-40^{\circ}\text{F}$  to  $+131^{\circ}\text{F}$ )  
WARNING: Exceeding maximum operating temperature may result in thermal shutdown

### OPTICAL SYSTEM

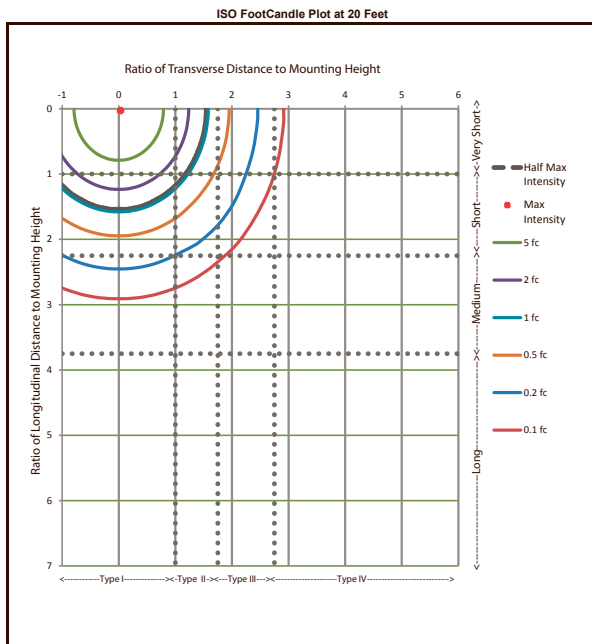
- High efficient LED chip
- LED designed for uniform lighting
- Tempered glass (clear / frosted) cover
- Polycarbonate lens (clear / frosted) cover option

### CERTIFICATIONS

- cULus Listed
- Suitable for damp/wet locations
- DLC qualified
- RoHS compliant
- IP65
- FCC compliant

### ILLUMINATION PLOTS

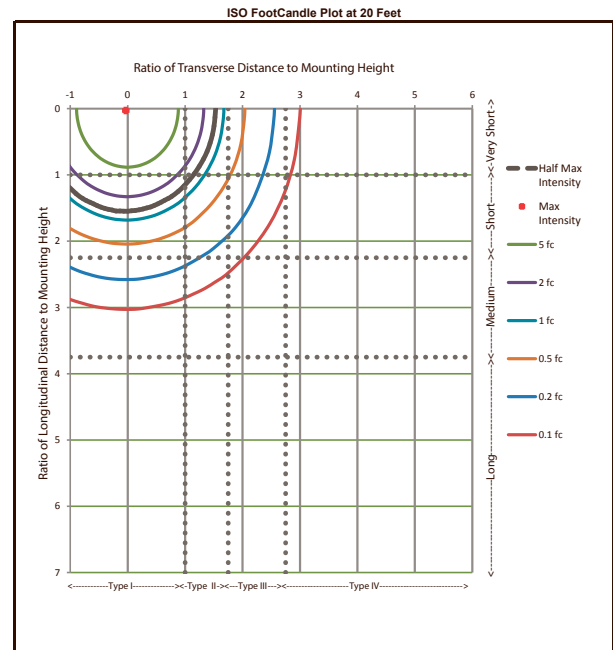
R2T 125W



## Lumen Maintenance

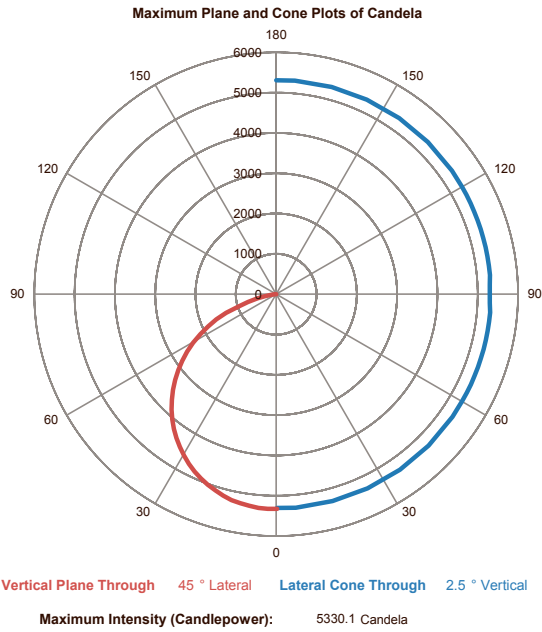
| AMBIENT TEMP IN °C | AMBIENT TEMP IN °F | 65W HOURS L70 | 90W HOURS L70 | 125W HOURS L70 | 150W HOURS L70 |
|--------------------|--------------------|---------------|---------------|----------------|----------------|
| 25                 | 77                 | 80000         | 80000         | 80000          | 80000          |
| 30                 | 86                 | 80000         | 80000         | 80000          | 80000          |
| 35                 | 95                 | 79000         | 79000         | 78000          | 78000          |
| 40                 | 104                | 76000         | 76000         | 74000          | 74000          |
| 45                 | 113                | 75000         | 73000         | 72000          | 70000          |
| 50                 | 122                | 74000         | 71000         | 70000          | 68000          |
| 55                 | 131                | 72000         | 69000         | 68000          | 66000          |

R2T 150 W

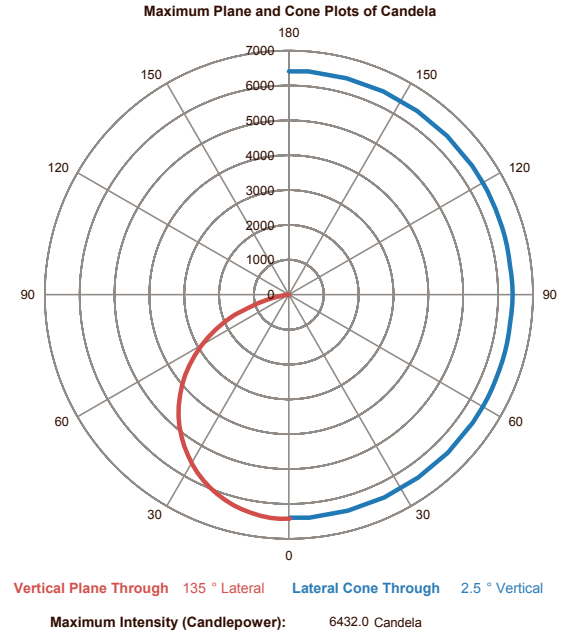


# R2T Series Pole Luminaire

**R2T 125W**



**R2T 150 W**



**R2T 125W**

## Zonal Lumen Summary

| Zone  | Lumens | % of Luminaire | Zone    | Lumens | % of Luminaire | Zone    | Lumens | % of Luminaire |
|-------|--------|----------------|---------|--------|----------------|---------|--------|----------------|
| 0-5   | 135.1  | 0.9%           | 60-65   | 1031.5 | 6.9%           | 120-125 | 0.0    | 0.0%           |
| 5-10  | 377.9  | 2.5%           | 65-70   | 782.6  | 5.2%           | 125-130 | 0.0    | 0.0%           |
| 10-15 | 617.5  | 4.1%           | 70-75   | 516.4  | 3.4%           | 130-135 | 0.0    | 0.0%           |
| 15-20 | 838.2  | 5.6%           | 75-80   | 263.0  | 1.8%           | 135-140 | 0.0    | 0.0%           |
| 20-25 | 1033.1 | 6.9%           | 80-85   | 84.2   | 0.6%           | 140-145 | 0.0    | 0.0%           |
| 25-30 | 1194.2 | 8.0%           | 85-90   | 15.2   | 0.1%           | 145-150 | 0.0    | 0.0%           |
| 30-35 | 1316.0 | 8.8%           | 90-95   | 0.7    | 0.0%           | 150-155 | 0.0    | 0.0%           |
| 35-40 | 1395.7 | 9.3%           | 95-100  | 0.0    | 0.0%           | 155-160 | 0.0    | 0.0%           |
| 40-45 | 1428.0 | 9.5%           | 100-105 | 0.0    | 0.0%           | 160-165 | 0.0    | 0.0%           |
| 45-50 | 1407.9 | 9.4%           | 105-110 | 0.0    | 0.0%           | 165-170 | 0.0    | 0.0%           |
| 50-55 | 1335.6 | 8.9%           | 110-115 | 0.0    | 0.0%           | 170-175 | 0.0    | 0.0%           |
| 55-60 | 1211.6 | 8.1%           | 115-120 | 0.0    | 0.0%           | 175-180 | 0.0    | 0.0%           |

**R2T 150 W**

## Zonal Lumen Summary

| Zone  | Lumens | % of Luminaire | Zone    | Lumens | % of Luminaire | Zone    | Lumens | % of Luminaire |
|-------|--------|----------------|---------|--------|----------------|---------|--------|----------------|
| 0-5   | 163.0  | 0.9%           | 60-65   | 1244.4 | 6.9%           | 120-125 | 0.0    | 0.0%           |
| 5-10  | 455.9  | 2.5%           | 65-70   | 941.6  | 5.2%           | 125-130 | 0.0    | 0.0%           |
| 10-15 | 745.1  | 4.1%           | 70-75   | 615.1  | 3.4%           | 130-135 | 0.0    | 0.0%           |
| 15-20 | 1011.7 | 5.6%           | 75-80   | 307.8  | 1.7%           | 135-140 | 0.0    | 0.0%           |
| 20-25 | 1247.3 | 6.9%           | 80-85   | 94.6   | 0.5%           | 140-145 | 0.0    | 0.0%           |
| 25-30 | 1442.5 | 8.0%           | 85-90   | 16.6   | 0.1%           | 145-150 | 0.0    | 0.0%           |
| 30-35 | 1590.7 | 8.8%           | 90-95   | 0.9    | 0.0%           | 150-155 | 0.0    | 0.0%           |
| 35-40 | 1687.3 | 9.3%           | 95-100  | 0.0    | 0.0%           | 155-160 | 0.0    | 0.0%           |
| 40-45 | 1727.0 | 9.6%           | 100-105 | 0.0    | 0.0%           | 160-165 | 0.0    | 0.0%           |
| 45-50 | 1702.6 | 9.4%           | 105-110 | 0.0    | 0.0%           | 165-170 | 0.0    | 0.0%           |
| 50-55 | 1615.5 | 8.9%           | 110-115 | 0.0    | 0.0%           | 170-175 | 0.0    | 0.0%           |
| 55-60 | 1465.7 | 8.1%           | 115-120 | 0.0    | 0.0%           | 175-180 | 0.0    | 0.0%           |

\*\* Based on Photometric testing consistent with IES LM-79 : Lumens may vary based on type of lens.

# R2T Series Pole Luminaire

## R2T Series Pole Luminaire ordering info.

| ORDERING CODE   | DESCRIPTION  | CCT (K) | LUMENS** | C.B.C.P. |
|-----------------|--|---------|----------|----------|
| R2T065DCP50WD-P | 65W LED R2T DROP CLEAR PC 5000K 125-277V WHITE 1-10V DIM     | 5000    | 8500     | **       |
| R2T065DCP50WN-P | 65W LED R2T DROP CLEAR PC 5000K 125-277V WHITE NON DIM       | 5000    | 8500     | **       |
| R2T065DCP57WD-P | 65W LED R2T DROP CLEAR PC 5700K 125-277V WHITE 1-10V DIM     | 5700    | 8500     | **       |
| R2T065DCP57WN-P | 65W LED R2T DROP CLEAR PC 5700K 125-277V WHITE NON DIM       | 5700    | 8500     | **       |
| R2T065DFP50WD-P | 65W LED R2T DROP FROST PC 5000K 125-277V WHITE 1-10V DIM     | 5000    | 8500     | **       |
| R2T065DFP50WN-P | 65W LED R2T DROP FROST PC 5000K 125-277V WHITE NON DIM       | 5000    | 8500     | **       |
| R2T065DFP57WD-P | 65W LED R2T DROP FROST PC 5700K 125-277V WHITE 1-10V DIM     | 5700    | 8500     | **       |
| R2T065DFP57WN-P | 65W LED R2T DROP FROST PC 5700K 125-277V WHITE NON DIM       | 5700    | 8500     | **       |
| R2T065FCG50WD-P | 65W LED R2T FLAT CLEAR GLASS 5000K 125-277V WHITE 1-10V DIM  | 5000    | 8500     | **       |
| R2T065FCG50WN-P | 65W LED R2T FLAT CLEAR GLASS 5000K 125-277V WHITE NON DIM    | 5000    | 8500     | **       |
| R2T065FCG57WD-P | 65W LED R2T FLAT CLEAR GLASS 5700K 125-277V WHITE 1-10V DIM  | 5700    | 8500     | **       |
| R2T065FCG57WN-P | 65W LED R2T FLAT CLEAR GLASS 5700K 125-277V WHITE NON DIM    | 5700    | 8500     | **       |
| R2T065FFG50WD-P | 65W LED R2T FLAT FROST GLASS 5000K 125-277V WHITE 1-10V DIM  | 5000    | 8500     | **       |
| R2T065FFG50WN-P | 65W LED R2T FLAT FROST GLASS 5000K 125-277V WHITE NON DIM    | 5000    | 8500     | **       |
| R2T065FFG57WD-P | 65W LED R2T FLAT FROST GLASS 5700K 125-277V WHITE 1-10V DIM  | 5700    | 8500     | **       |
| R2T065FFG57WN-P | 65W LED R2T FLAT FROST GLASS 5700K 125-277V WHITE NON DIM    | 5700    | 8500     | **       |
| R2T090DCP50WD-P | 90W LED R2T DROP CLEAR PC 5000K 125-277V WHITE 1-10V DIM     | 5000    | 11300    | **       |
| R2T090DCP50WN-P | 90W LED R2T DROP CLEAR PC 5000K 125-277V WHITE NON DIM       | 5000    | 11300    | **       |
| R2T090DCP57WD-P | 90W LED R2T DROP CLEAR PC 5700K 125-277V WHITE 1-10V DIM     | 5700    | 11300    | **       |
| R2T090DCP57WN-P | 90W LED R2T DROP CLEAR PC 5700K 125-277V WHITE NON DIM       | 5700    | 11300    | **       |
| R2T090DFP50WD-P | 90W LED R2T DROP FROST PC 5000K 125-277V WHITE 1-10V DIM     | 5000    | 11300    | **       |
| R2T090DFP50WN-P | 90W LED R2T DROP FROST PC 5000K 125-277V WHITE NON DIM       | 5000    | 11300    | **       |
| R2T090DFP57WD-P | 90W LED R2T DROP FROST PC 5700K 125-277V WHITE 1-10V DIM     | 5700    | 11300    | **       |
| R2T090DFP57WN-P | 90W LED R2T DROP FROST PC 5700K 125-277V WHITE NON DIM       | 5700    | 11300    | **       |
| R2T090FCG50WD-P | 90W LED R2T FLAT CLEAR GLASS 5000K 125-277V WHITE 1-10V DIM  | 5000    | 11300    | **       |
| R2T090FCG50WN-P | 90W LED R2T FLAT CLEAR GLASS 5000K 125-277V WHITE NON DIM    | 5000    | 11300    | **       |
| R2T090FCG57WD-P | 90W LED R2T FLAT CLEAR GLASS 5700K 125-277V WHITE 1-10V DIM  | 5700    | 11300    | **       |
| R2T090FCG57WN-P | 90W LED R2T FLAT CLEAR GLASS 5700K 125-277V WHITE NON DIM    | 5700    | 11300    | **       |
| R2T090FFG50WD-P | 90W LED R2T FLAT FROST GLASS 5000K 125-277V WHITE 1-10V DIM  | 5000    | 11300    | **       |
| R2T090FFG50WN-P | 90W LED R2T FLAT FROST GLASS 5000K 125-277V WHITE NON DIM    | 5000    | 11300    | **       |
| R2T090FFG57WD-P | 90W LED R2T FLAT FROST GLASS 5700K 125-277V WHITE 1-10V DIM  | 5700    | 11300    | **       |
| R2T090FFG57WN-P | 90W LED R2T FLAT FROST GLASS 5700K 125-277V WHITE NON DIM    | 5700    | 11300    | **       |
| R2T125DCP50WD-P | 125W LED R2T DROP CLEAR PC 5000K 125-277V WHITE 1-10V DIM    | 5000    | 15500    | 5330     |
| R2T125DCP50WN-P | 125W LED R2T DROP CLEAR PC 5000K 125-277V WHITE NON DIM      | 5000    | 15500    | 5330     |
| R2T125DCP57WD-P | 125W LED R2T DROP CLEAR PC 5700K 125-277V WHITE 1-10V DIM    | 5700    | 15500    | 5330     |
| R2T125DCP57WN-P | 125W LED R2T DROP CLEAR PC 5700K 125-277V WHITE NON DIM      | 5700    | 15500    | 5330     |
| R2T125DFP50WD-P | 125W LED R2T DROP FROST PC 5000K 125-277V WHITE 1-10V DIM    | 5000    | 15500    | 5330     |
| R2T125DFP50WN-P | 125W LED R2T DROP FROST PC 5000K 125-277V WHITE NON DIM      | 5000    | 15500    | 5330     |
| R2T125DFP57WD-P | 125W LED R2T DROP FROST PC 5700K 125-277V WHITE 1-10V DIM    | 5700    | 15500    | 5330     |
| R2T125DFP57WN-P | 125W LED R2T DROP FROST PC 5700K 125-277V WHITE NON DIM      | 5700    | 15500    | 5330     |
| R2T125FCG50WD-P | 125W LED R2T FLAT CLEAR GLASS 5000K 125-277V WHITE 1-10V DIM | 5000    | 15500    | 5330     |
| R2T125FCG50WN-P | 125W LED R2T FLAT CLEAR GLASS 5000K 125-277V WHITE NON DIM   | 5000    | 15500    | 5330     |
| R2T125FCG57WD-P | 125W LED R2T FLAT CLEAR GLASS 5700K 125-277V WHITE 1-10V DIM | 5700    | 15500    | 5330     |
| R2T125FCG57WN-P | 125W LED R2T FLAT CLEAR GLASS 5700K 125-277V WHITE NON DIM   | 5700    | 15500    | 5330     |
| R2T125FFG50WD-P | 125W LED R2T FLAT FROST GLASS 5000K 125-277V WHITE 1-10V DIM | 5000    | 15500    | 5330     |
| R2T125FFG50WN-P | 125W LED R2T FLAT FROST GLASS 5000K 125-277V WHITE NON DIM   | 5000    | 15500    | 5330     |
| R2T125FFG57WD-P | 125W LED R2T FLAT FROST GLASS 5700K 125-277V WHITE 1-10V DIM | 5700    | 15500    | 5330     |
| R2T125FFG57WN-P | 125W LED R2T FLAT FROST GLASS 5700K 125-277V WHITE NON DIM   | 5700    | 15500    | 5330     |

\*\* Based on Photometric testing consistent with IES LM-79 : Lumens may vary based on type of lens.

# R2T Series Pole Luminaire

## R2T Series Pole Luminaire ordering info.

| ORDERING CODE   | DESCRIPTION  | CCT (K) | LUMENS** | C.B.C.P. |
|-----------------|--|---------|----------|----------|
| R2T150DCP50WD-P | 150W LED R2T DROP CLEAR PC 5000K 125-277V WHITE 1-10V DIM    | 5000    | 18500    | 6430     |
| R2T150DCP50WN-P | 150W LED R2T DROP CLEAR PC 5000K 125-277V WHITE NON DIM      | 5000    | 18500    | 6430     |
| R2T150DCP57WD-P | 150W LED R2T DROP CLEAR PC 5700K 125-277V WHITE 1-10V DIM    | 5700    | 18500    | 6430     |
| R2T150DCP57WN-P | 150W LED R2T DROP CLEAR PC 5700K 125-277V WHITE NON DIM      | 5700    | 18500    | 6430     |
| R2T150DFP50WD-P | 150W LED R2T DROP FROST PC 5000K 125-277V WHITE 1-10V DIM    | 5000    | 18500    | 6430     |
| R2T150DFP50WN-P | 150W LED R2T DROP FROST PC 5000K 125-277V WHITE NON DIM      | 5000    | 18500    | 6430     |
| R2T150DFP57WD-P | 150W LED R2T DROP FROST PC 5700K 125-277V WHITE 1-10V DIM    | 5700    | 18500    | 6430     |
| R2T150DFP57WN-P | 150W LED R2T DROP FROST PC 5700K 125-277V WHITE NON DIM      | 5700    | 18500    | 6430     |
| R2T150FCG50WD-P | 150W LED R2T FLAT CLEAR GLASS 5000K 125-277V WHITE 1-10V DIM | 5000    | 18500    | 6430     |
| R2T150FCG50WN-P | 150W LED R2T FLAT CLEAR GLASS 5000K 125-277V WHITE NON DIM   | 5000    | 18500    | 6430     |
| R2T150FCG57WD-P | 150W LED R2T FLAT CLEAR GLASS 5700K 125-277V WHITE 1-10V DIM | 5700    | 18500    | 6430     |
| R2T150FCG57WN-P | 150W LED R2T FLAT CLEAR GLASS 5700K 125-277V WHITE NON DIM   | 5700    | 18500    | 6430     |
| R2T150FFG50WD-P | 150W LED R2T FLAT FROST GLASS 5000K 125-277V WHITE 1-10V DIM | 5000    | 18500    | 6430     |
| R2T150FFG50WN-P | 150W LED R2T FLAT FROST GLASS 5000K 125-277V WHITE NON DIM   | 5000    | 18500    | 6430     |
| R2T150FFG57WD-P | 150W LED R2T FLAT FROST GLASS 5700K 125-277V WHITE 1-10V DIM | 5700    | 18500    | 6430     |
| R2T150FFG57WN-P | 150W LED R2T FLAT FROST GLASS 5700K 125-277V WHITE NON DIM   | 5700    | 18500    | 6430     |

## Accessories

- Swivel mounting
- Straight mounting
- Dusk to Dawn control
- Smart control (check availability)