

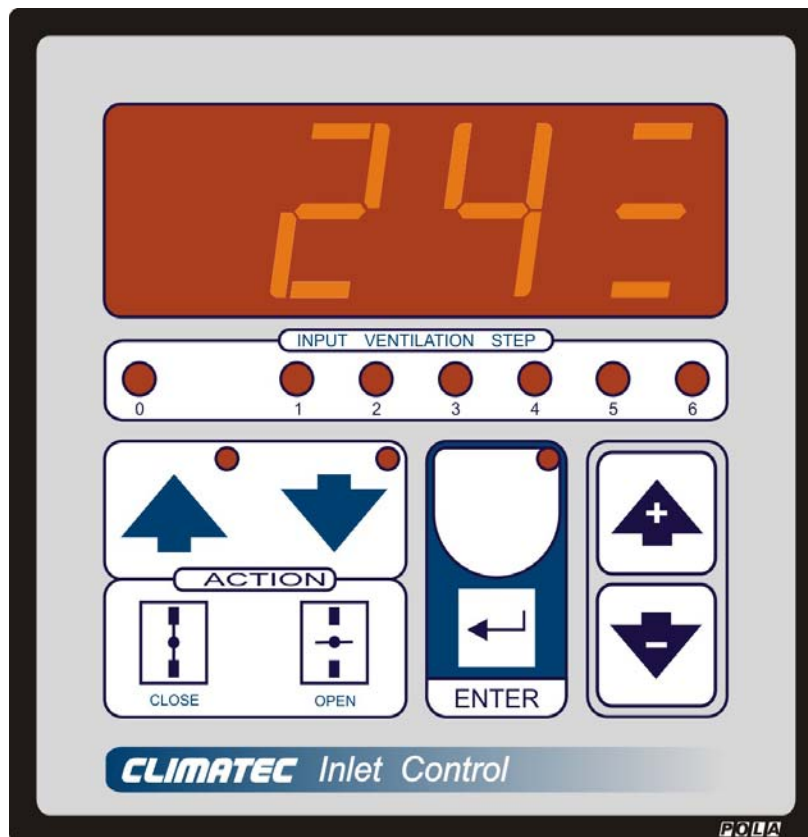
CLIMATEC

Inlet Control

CLT2

SL 4.0

Handbook



RUN MODE



Press **ENTER**.
This message will be displayed showing
Flap % position at Step 0.
Press **+** or **-** to modify, press **ENTER** to confirm.



At this point, this message will be displayed, showing
Flap % position at Step 1.
Press **+** or **-** to modify, press **ENTER** to confirm.



At this point, this message will be displayed, showing
Flap % position at Step 2.
Press **+** or **-** to modify, press **ENTER** to confirm.
*This operation is repeated for the number of steps in use (value of **n.POS** see **COS**t).*



Pressing **ENTER** after the last step returns display to indicate current position in %.

Note: Final position should be set at 99%.

VIEWING

In normal conditions the display shows:
When **tYPE**=0 (see **COS**t settings) the current % flap position.
When **tYPE**=1 (see **COS**t settings) the current output %.



Example with % flap position = 24%

However:



Press the **+** key:
the current feedback potentiometer resistance will be displayed.
When **tYPE**=1 this does not operate.



Example with flap resistance = 724 Ohm

COS

t PROGRAMMING (System constants)


These settings refer to the mode of operation of the system and must be made on initial start-up.
Press both **+** & **-** keys together for at least one second.



The message **C.O.S.t.** will be displayed:
Press **ENTER** repeatedly until the variable you require is displayed (see table below). Variable value and relative message will be displayed.

Press **+** or **-** to set a new value and the **ENTER** to confirm.

The next system constant will then appear.

You can press **ENTER** for at least two seconds to escape and return to the *Run Mode*.

Setting	Default Value	Your Value	Description	Notes
tYPE	0		Type of output control	*1)
n.POS	6		Number of input steps	*2)
PO.CL	0		Potentiometer resistance in closed position	*3)
PO.OP	1000		Potentiometer resistance in open position	*3)
Pcn.1	4%		% Neutral band	*3)
Ctrl	0		Type of 0-10v output	*4)

*1) 0= Relay output using feedback Pot.

1= 0-10V output (relay output and feedback disabled)

*2) This setting corresponds to the number of ventilation steps that are connected to the interface unit.

*3) These settings have no effect when **tYPE**=1.

*4) This setting only has effect when **tYPE**=1.

0= Voltage output = 0-10V (0-100%)

1= Voltage output = 10-0V (0-100%)

FLAP POTENTIOMETER INITIALIZATION PROCEDURE (Init)



A feedback potentiometer must be fitted to the flap motor. Having done this, proceed as follows to record the potentiometer values.

Press the **ENTER** for at least 3 seconds:

When the *init* message is displayed for more than one second, and the display has changed to show the feedback resistance, release the **ENTER** key.

The processor closes the flap (**CLOSE** light flashes) and the potentiometer resistance value is displayed.



When the flap has completely closed, press the **ENTER** key to record the value.

At this point the processor opens the flap (**OPEN** light flashes) and the potentiometer resistance value is displayed.

When the flap has completely opened, press the **ENTER** key to record the value.

The processor then returns automatically to *Run mode*.

This procedure will not be available when *tYPE=1* (see *COSt* settings).

PRESET PROGRAMS



On delivery this processor is programmed with the following (variable) settings. To return to these settings at any time:

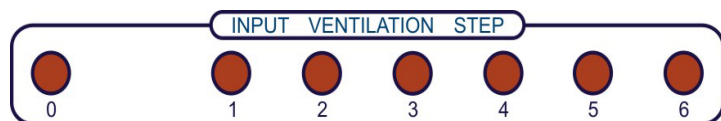
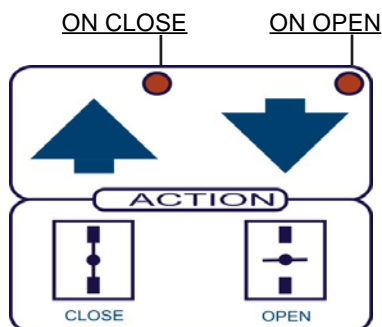
Power off the processor, press **ENTER** key and keep it pressed whilst switching on the power. After 2 seconds *boot* message will be displayed (now release **ENTER** key).

POS.0= 0%, POS.1 = 5%, POS.2 = 10%, POS.3 = 15%, POS.4 = 30%, POS.5 = 60%, POS.6 = 99%



The default *COSt* values are shown in *COSt* paragraphs.

STATE INDICATION LAMPS



These lamps show the condition of the input signal of the ventilation.

Lamp	Description	Relay N°	Contacts
CLOSE	Close Direction ON	1	3-4
OPEN	Open Direction ON	2	4-5

The open and close lamps will only operate if *tYPE=0* (see *COSt* settings).

INSTALLATION

How to connect the ventilation input:

Connect the ventilation input to interface as shown in the diagrams (pages 4 or 5).

How to connect response potentiometer:

Connect the feedback potentiometer (max 5 Kohm,) to terminals **7-8**. (only required if **tYPE= 0**)

How to connect the supply (240V):

Connect to terminals **L-N**

How to connect the interface:

Connect terminals 9 and 10 to interface unit (as shown in the diagram).

How to connect motor control:

Connect terminals 3,4 and 5 to your motor controller. (only required if **tYPE= 0**)

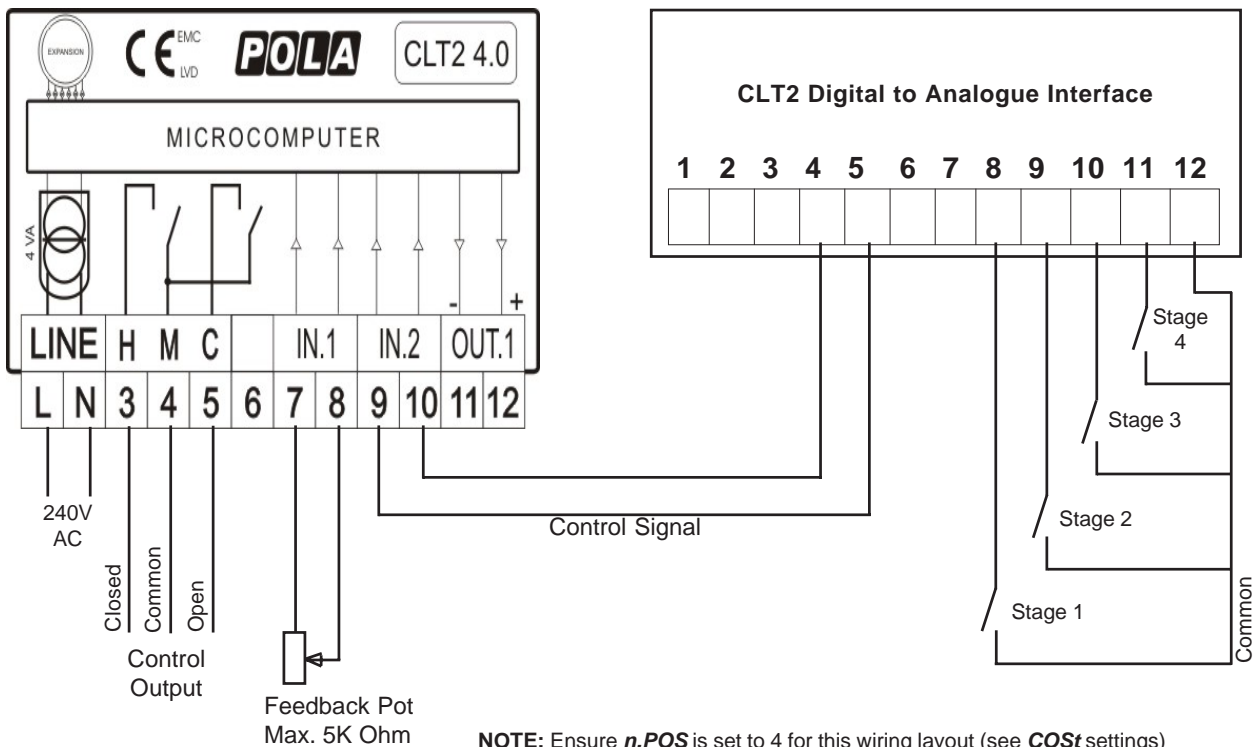
How to connect 0-10 volt actuator:

Connect the 0-10 volt control wires from the actuator to terminals 11 and 12. (Only required if **tYPE= 1**).

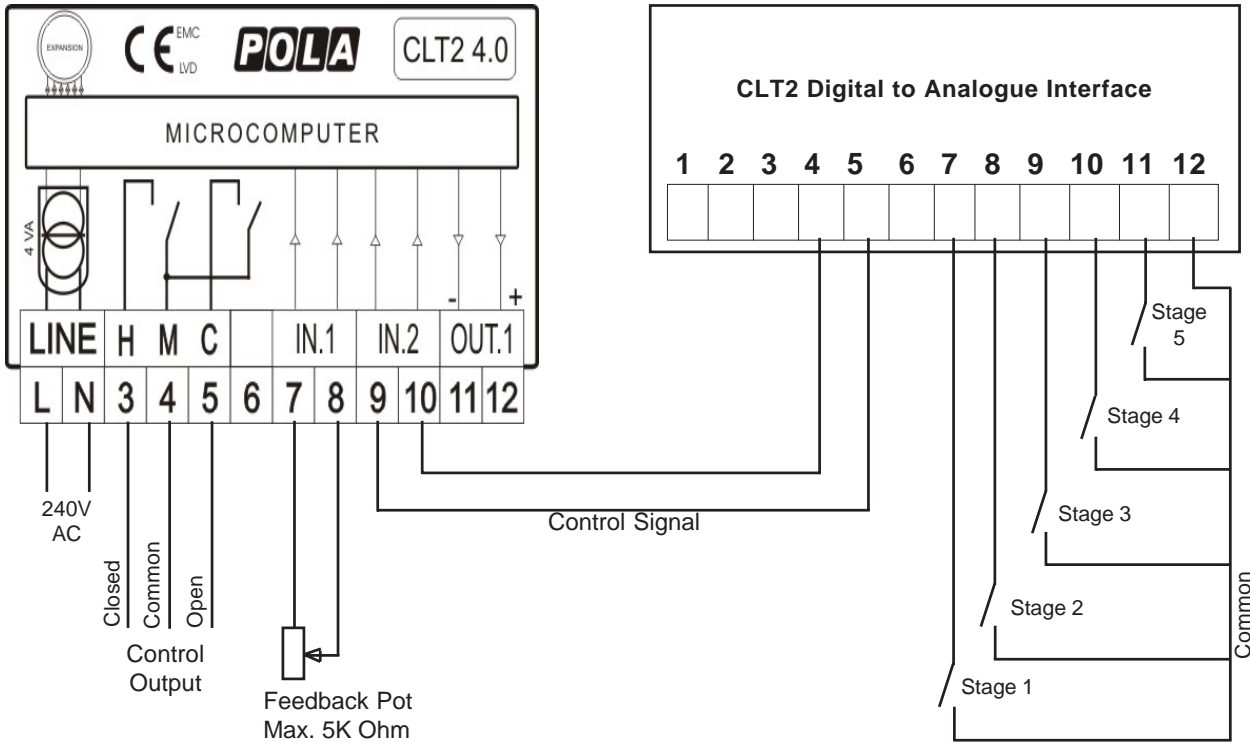
Use appropriate Climatec Drawings for 4, 5 or 6 Step operation. (Should you require a drawing for other step input layout please contact us).

IF IN DOUBT PLEASE CALL US FIRST.

tYPE =0 - 4 Stage Inlet Control

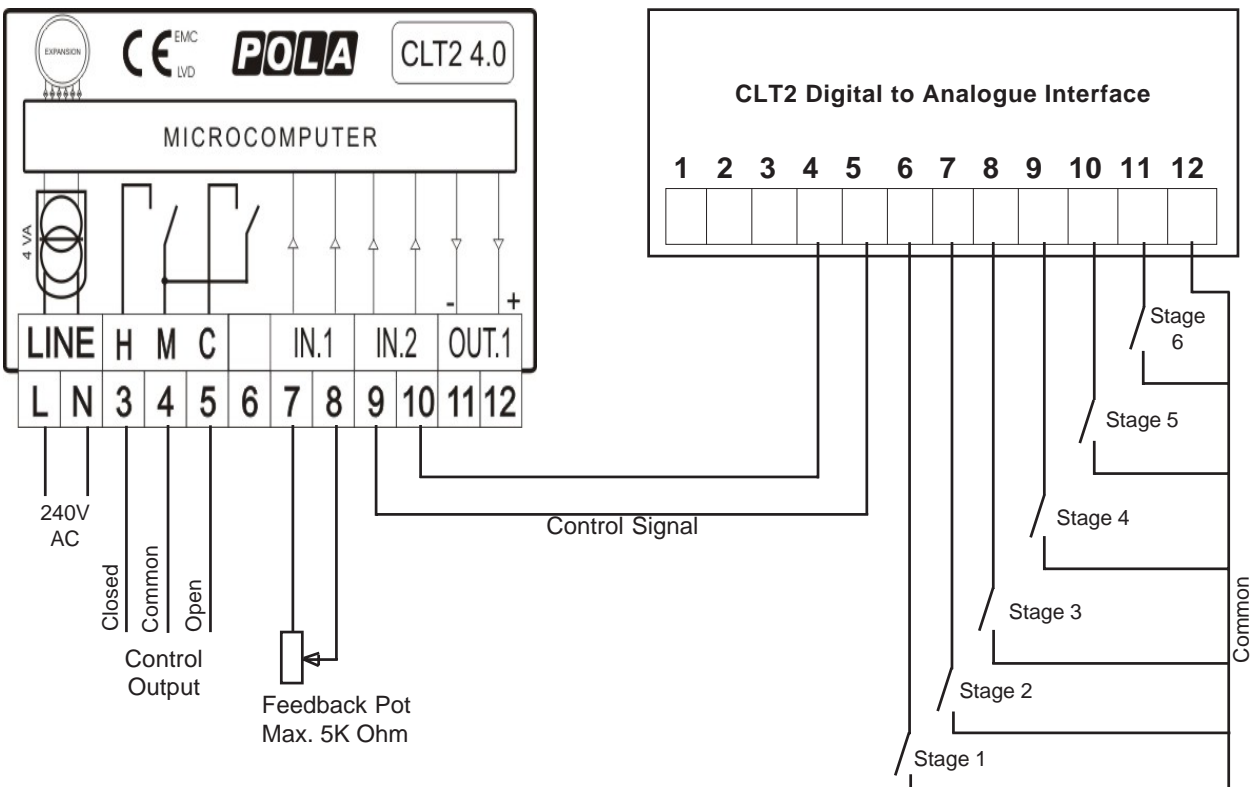


*t*TYPE =0 - 5 Stage Inlet Control



NOTE: Ensure *n.POS* is set to 5 for this wiring layout (see *COS*t settings)

*t*TYPE =0 - 6 Stage Inlet Control



NOTE: Ensure *n.POS* is set to 6 for this wiring layout (see *COS*t settings)

tYPE =1 - 6 Stage Inlet Control

Ensure tYPE=1 for this wiring diagram (Connections to terminals 3 thru 8 are not required).

