

SPECIFICATIONS

MODEL	PRO DUMBWAITER
CAPACITY	300 LB
SPEED	24 FPM (NOMINAL)
DRIVE	CHAIN DRIVE GEAR MOTOR
DOOR LOCKS	ELECTROMECHANICAL INTERLOCKS ATLOCK LISTING E10695
OPERATION	AUTOMATIC OPERATION, MANUEL DOORS
FINISH	STAINLESS STEEL 304 # 4
ELECTRICAL REQUIREMENTS	CONTROLLER COMES EQUIPPED WITH A 120V 60Hz, 20AMP CIRCUIT (BATTERY BACKUP) OR (POWER TRANSFORMER). REQUIRES A DEDICATED CIRCUIT, 120VAC, 15 AMP OUTLET WITHIN SIGHT OF THE CONTROLLER. FOR JURISDICTIONS WHICH REQUIRE THE CONTROLLER TO BE HARDWIRED, HARD WIRE INTO APPROPRIATE DISCONNECTING MEANS.
CONTROL SYSTEM	PLC, RELAY, PLUG'NPLAY FIELD WIRING
CODE	ASME 17.1 / B44 SEC: 7

PROJECT: TYPICAL DRAWING

CONFIGURATION
DETAILSCode:
ASME 17.1-B44SAFETY:
 $\pm 1/16"$ DRAFTER:
M. DebusschereDate:
08-04-2020

Les Escalateurs Atlas Inc.

 3175 Boul. Choquette
 St-Hyacinthe (Québec)
 J2S 7Z8, Canada
 Tél: (450) 796-5708
 Fax: (450) 250-5110

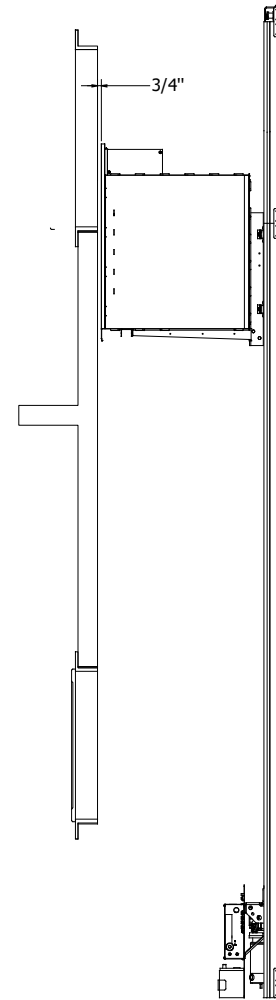
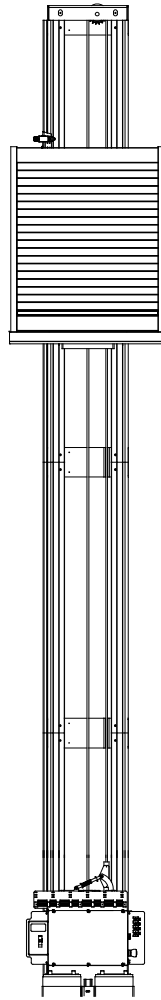
No DRAWING:

PRO DUMBWAITER
30"X30"X30"

Revision:

Status: INFORMATION

No SHEET: 1/3



PROJECT: **TYPICAL DRAWING**

**CONFIGURATION
DETAILS**

Code: **ASME 17.1-B44**

SAFETY: **± 1/16"**

DRAFTER: **M. Debusschere**

Date: **08-04-2020**

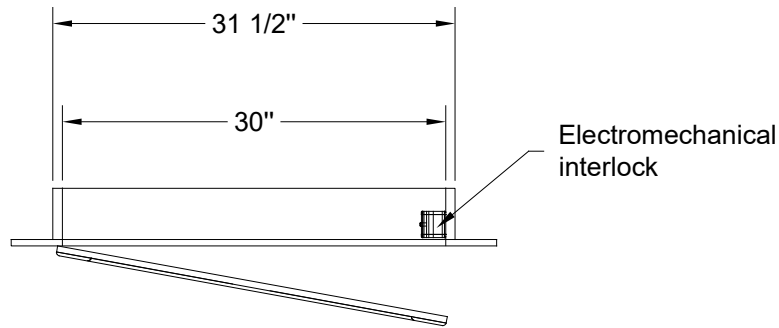


No DRAWING: **PRO DUMBWAITER**

Revision:

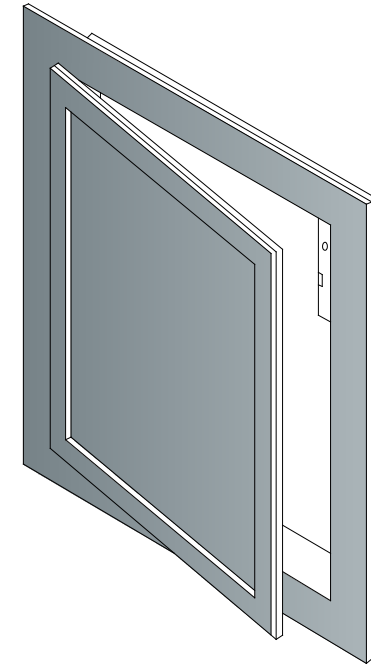
Status: **INFORMATION**

No SHEET:

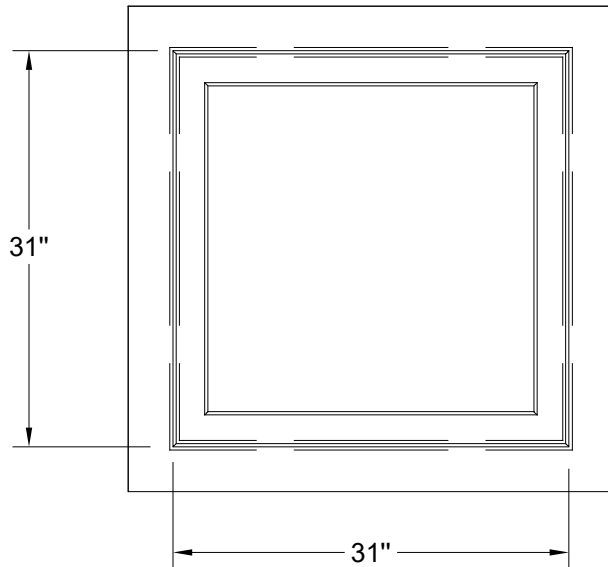


TOP_VIEW

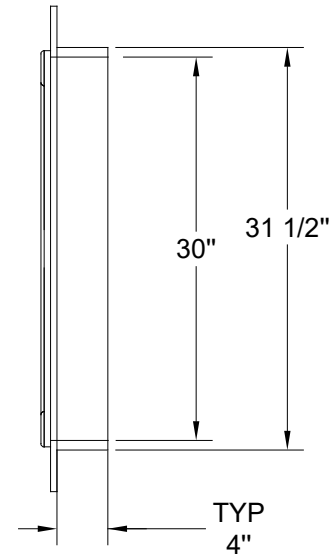
TYP CABINET
DOOR DIM



ISO_VIEW




ELEVATION



SIDE_VIEW

PRO_DUMBWAITER_DOOR
30X30X30

PROJECT: TYPICAL DRAWING	
CONFIGURATION DETAILS	 Les Escalateurs Atlas Inc. 3175 Boul. Choquette St-Hyacinthe (Québec) J2S 7Z8, Canada Tél: (450) 796-5708 Fax: (450) 250-5110
	No DRAWING: PRO DUMBWAITER 30"X30"X30"
Code: ASME 17.1-B44	Revision:
SAFETY: ± 1/16"	
DRAFTER: M. Debusschere	
Date: 08-04-2020	Status: INFORMATION No SHEET: 3/3