

# VISTA Portable

The VISTA Portable Vertical Platform Lift is suitable for public and commercial builds, as well as private homes. It offers an anti-corrosive frame and top dome making it ideal for outdoor applications. This model is easy to use and can be stowed away when wheelchair accessibility is not required. The VISTA Portable has all of the functionality and safety you of a VISTA Vertical Platform Lift.

Every VISTA Portable model is driven by our reliable Acme Screw Drive and is 100% customizable to fit your specific needs. The VISTA travels up and down a motor powered acme screw drive system enclosed in the stand alone tower. There is no need for a machine room as the entire drive system is contained within the tower.



## PERFORMANCE SPECIFICATIONS

Application	Residential & Commercial
Power Supply	110VAC & 24VDC
Drive System	Direct Acme Screw Drive
Motor	1 HP, 24VDC
Maximum Capacity	750lbs (340 kg)
Maximum Travel	64 inches (162.6 cm)
Travel Speed	12 feet per minute (0.06 m/s)

## PLATFORM & CABIN SPECIFICATIONS

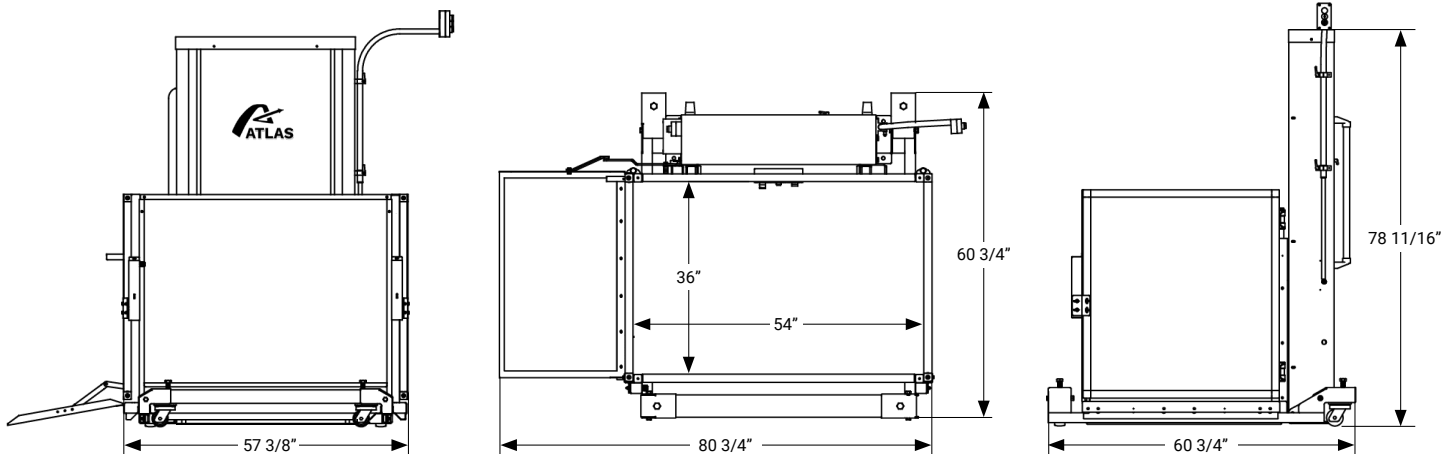
Tower Configuration	Left & Right Tower Configuration
Platform Configuration	90° & 180°
Platform Dimension	34" X 54" (864 mm x 1372 mm) 34" X 60" (864 mm x 1524 mm) 36" X 54" (915 mm x 1372 mm) 36" X 60" (915 mm x 1372 mm) Custom: 30" to 42" W & 46" to 66" L
Cabin Height	42" Standard Cab

## TRAVEL OPTIONS

VIS-44	Travel 44 inches with 72" Tower
VIS-64	Travel 64 inches with 92" Tower

## COMPLIANCE INFORMATION

Certifications	CSA B613, B355, ASME 17.1, ASME 18.1
----------------	--------------------------------------



\*\*\* DIMENSIONS FOR VIS-64\*\*\*

# Design your **VISTA PORTABLE**

## **POWER SUPPLY**

110VAC

24VDC

## **LOAD CAPACITY**

750 LBS

## **TRAVEL HEIGHT**

44" or 64"

## **CABIN HEIGHT**

42" Standard Cabin

## **PLATFORM CONFIGURATION**

90° Degree

180° Degree

## **Platform Dimensions**

34" X 54" (864 mm x 1372 mm)

34" X 60" (864 mm x 1524 mm)

36" X 54" (915 mm x 1372 mm)

36" X 60" (915 mm x 1372 mm)

Custom: 30" to 42" W & 46" to 66" L

## **CALL STATIONS**

Mounted Call Stations included

## **DOOR AND GATES**

Platform Gates included

## **PAINT**

Standard Color Atlas Grey

Custom Color (RAL Universal Chart)

Stainless Steel

## **STANDARD EQUIPMENT**

Safety Underpan

Emergency Alarm

Galvanized Steel Platform 42" H

Emergency Lowering Device

Automatic Folding Ramp


Key Lock Switches

Pit Switches


Continuous Pressure Rocker

Switches

For pricing and ordering

 Visit an Atlas Dealer

 Online at [www.atlasacces.com](http://www.atlasacces.com)

 By phone: (888) 773-6708