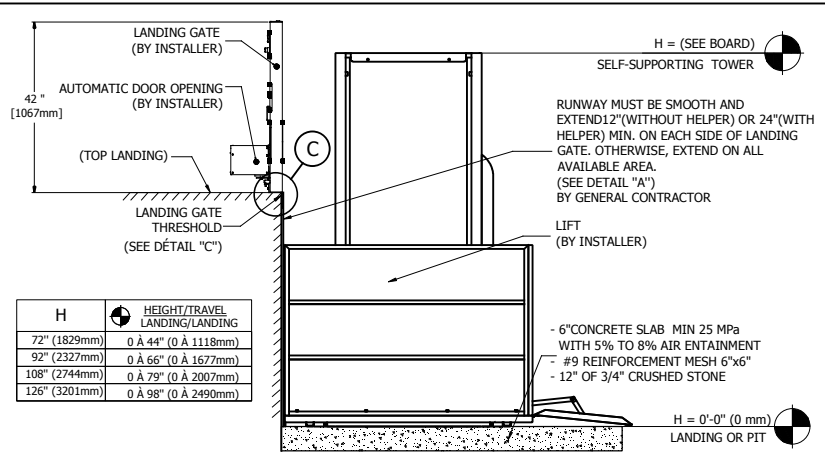


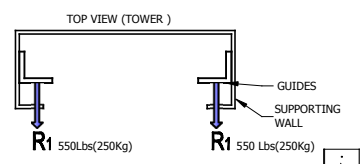
1 VISTA-613-AC 34x60 (WITHOUT HELPER)



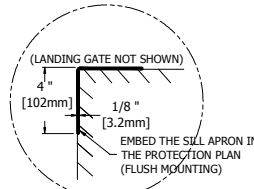
3 DETAIL B FLOOR ELEVATION

VISTA_613 TECHNICAL DATA	
TYPE	Outdoor use, vertical lift, open shaft
CODE	CSA/B613
MAX CAPACITY	One person a wheelchair or One person a wheelchair and one helper
MAX LOAD	750 Lb (340 Kg)
RAIL LINEAR WEIGHT	5 Lb/ft
TRACTION MACHINE	Acme screw and nut
ALIMENTATION	DC, 24 VOLT
VELOCITY	9 pi/min (0.05m/s) *option max speed: 14pi/min (0.07m/s)
MAX TRAVEL	98po (2500 mm) max.
EMERGENCY BRAKES	Bronze safety nut
FINI DE LA CABINE	See document C-01
CABINE	Max floor dimensions 40x66po (1018mm x1679mm)
FINI DU PLANCHER	Anti-skid floor surface
CONTROL BUTTONS	Weatherproof control buttons
CONTOLEUR	BECVIS23 (CSA/LR45147)
DOOR INTERLOCK	HONEYWELL (RELIALIGN) or GAL (TYPE N)

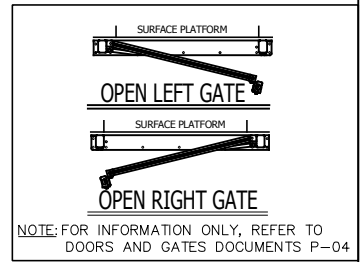
NOTE:  
 1. PROVIDE 100 lx MIN. LIGHTING TO THE WHOLE PLATFORM (BY ELECTRICIAN).  
 2. ANY WALL LOCATED LESS THAN 12" (WITHOUT HELPER) OR 24" (WITH HELPER) AWAY FROM THE CAB MUST EXCEED THE UPPER LANDING HEIGHT BY AT LEAST 42". IT MUST BE SMOOTH (NO RECESSES OR PROTRUSIONS).



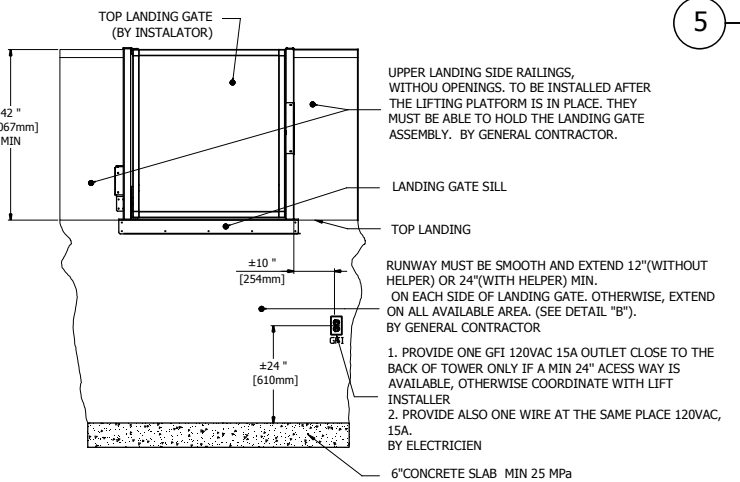
5 RAIL REACTIONS



4 DETAIL C

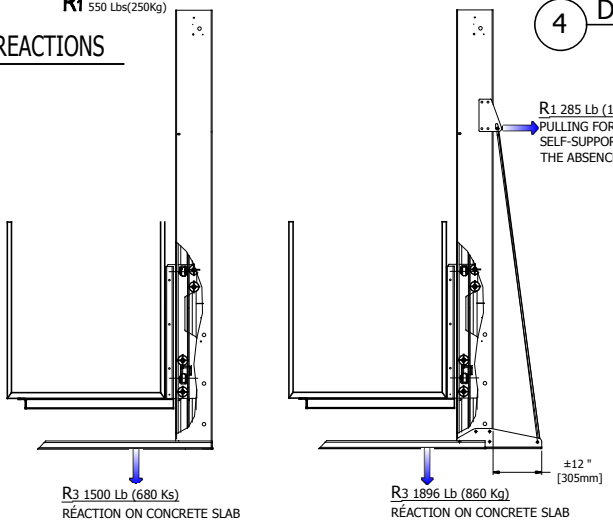


NOTE  
 -THIS ELECTRONIC DOCUMENT IS NOT SIGNED OR SEALED BY AN ENGINEER AND MAY NOT BE USED FOR CONSTRUCTION PURPOSES.  
 -THIS ELECTRONIC DOCUMENT IS STRICTLY FOR INFORMATION PURPOSES (OR COORDINATION, AS APPLICABLE).  
 -NO GUARANTEES ARE GIVEN ON THE INTEGRITY OF THE TRANSMITTED INFORMATION.  
 -NO GUARANTEES ARE GIVEN ABOUT PAST OR FUTURE CHANGES TO THIS DOCUMENT



2 DETAIL A SIDE VIEW

NOTE  
 LIFT NOT SHOWN, IN ORDER TO CLARIFY THE DRAWING.



5 VISTA 750 Lb REACTIONS

6 VISTA 1000 Lb REACTIONS

**Les Escalateurs Atlas Inc.**

8255 Boul. Laframboise  
 St-Hyacinthe (Québec)  
 J2R 1E8, Canada  
 Tél: (450) 796-5708  
 Fax: (450) 796-5110

**atlas**

TITLE: GÉNÉRALES INFORMATIONS

No. DRAWING: VISTA_AC	DATE: XX/XX/2015	REVISION:
CODE: B355	DRAFTER: M. Debusschere	No SHEET: 1/1