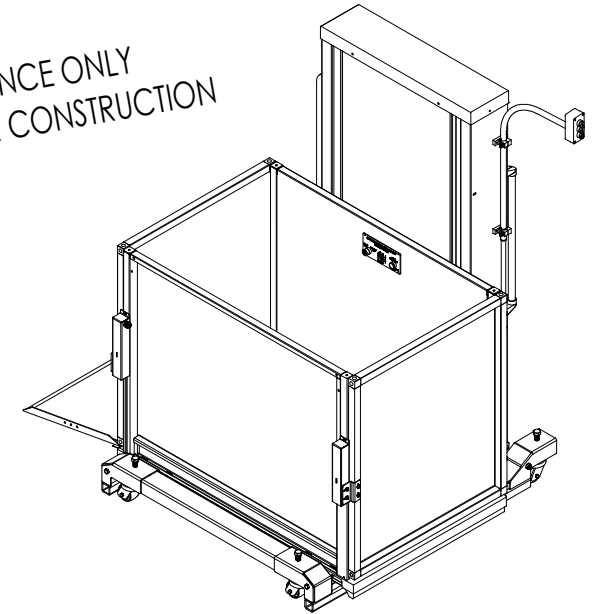
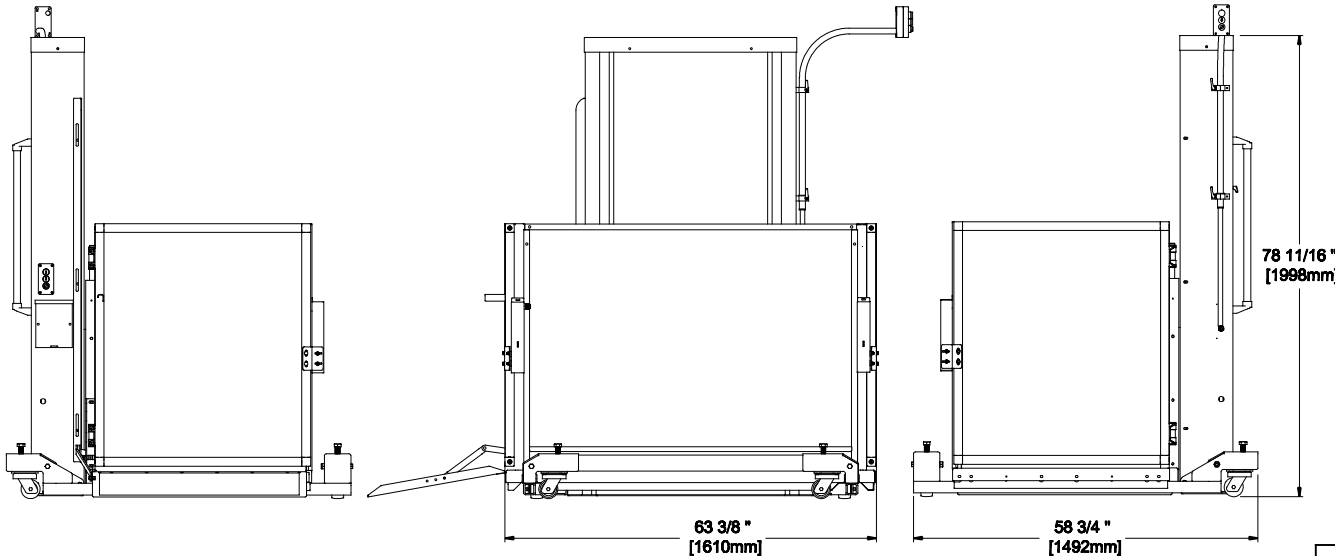


TOP VIEW

FOR REFERENCE ONLY  
DO NOT USE FOR CONSTRUCTION



ISOMETRIC VIEW



ELEVATION

DRAWING FOR APPROBATION			
CHOOSÉ (✓)	APPROVED		
	APPROVED AS NOTED		
	RESUBMIT AS NOTED		
SIGNATURE		DATE	
SIGN AND RETURNED TO ATLAS			

PROJET: **TYPICAL DRAWING**

CONFIGURATION DETAILS			
XX	XX	XX	XX-XX-2018
REV	BY	DESCRIPTION:	DATE:

**DOOR INTERLOCK TYPE: HONEYWELL**

Guard panel:  
**81" HEIGHT**

Safety:  
**± 1/16"**

Draftsman:  
**M. Debusschere**

Date:  
**10/12/2018**

**atlas** Les Escalateurs Atlas Inc.  
3175 Boul. Choquette  
St-Hyacinthe (Québec)  
J2S 7Z8, Canada  
Tél: (450) 796-5708  
Fax: (450) 250-5110

No Drawing:	<b>VISTA MOBILE_34x60</b>	Revision:	
Status:	<b>INFORMATION</b>	No Sheet:	<b>1/1</b>

**SPECIFICATIONS**

- Capacity: 750lbs
- Travel: 8" à 48" (variable )
- Motor: 1hp, 24 volts DC
- Battery operated
- Power requirement of the chargers: 120volts AC, 15A

\*Spécifications sujet to changed without notice

**1 Vista Mobile**

\*However the stage lifts for disabled peoples are not included in the scope the hereby mentioned codes; the components and the design of the device comply with the state of the art found in CSA B355-09, ASME A18.1 and ASME A17.1/CSA B44.