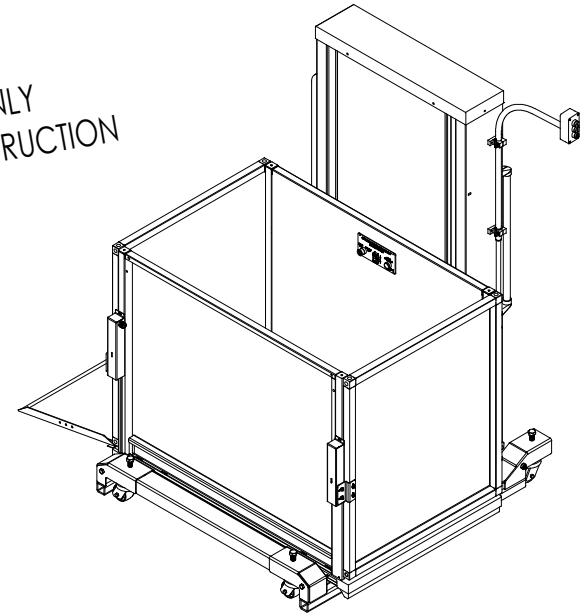
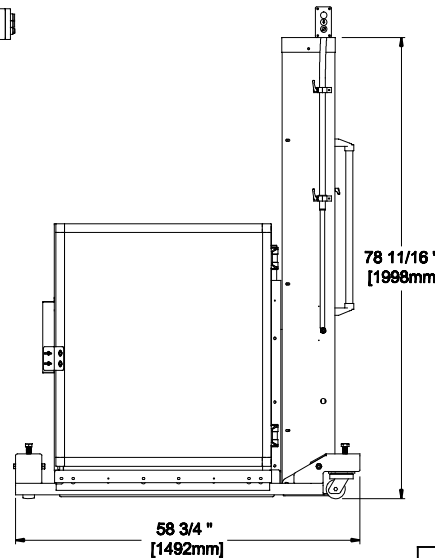
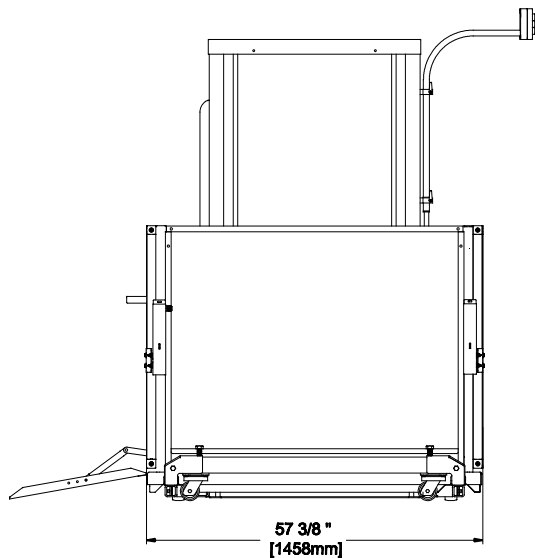
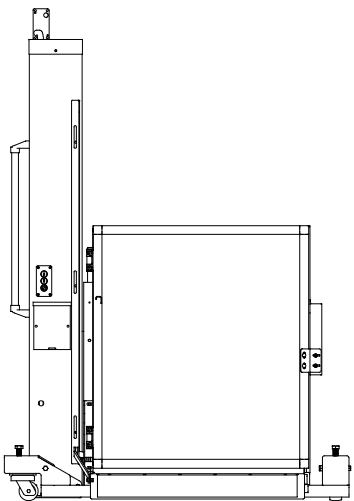


TOP VIEW

FOR REFERENCE ONLY
DO NOT USE FOR CONSTRUCTION



ISOMETRIC VIEW



ELEVATION

DRAWING FOR APPROBATION			
CHOOSER (✓)	APPROVED		
	APPROVED AS NOTED		
	RESUBMIT AS NOTED		
SIGNATURE		DATE	
SIGN AND RETURNED TO ATLAS			

PROJET: **TYPICAL DRAWING**

CONFIGURATION DETAILS			
XX	XX	XX	XX-XX-2018
REV	BY	DESCRIPTION:	DATE:

DOOR INTERLOCK TYPE: HONEYWELL

Guard panel:
81" HEIGHT

Safety: $\pm 1/16"$

Draftsman: **M. Debusschere**

Date: **10/12/2018**

atlas
Les Escalateurs Atlas Inc.
3175 Boul. Choquette
St-Hyacinthe (Québec)
J2S 7Z8, Canada
Tél: (450) 796-5708
Fax: (450) 250-5110

No Drawing:		VISTA MOBILE_34x54	
Status: INFORMATION		No Sheet: 1/1	Revision:

SPECIFICATIONS

- Capacity: 750lbs
- Travel: 8" à 48" (variable)
- Motor: 1hp, 24 volts DC
- Battery operated
- Power requirement of the chargers: 120volts AC, 15A

*Spécifications sujet to changed without notice

1 Vista Mobile

*However the stage lifts for disabled peoples are not included in the scope the hereby mentioned codes; the components and the design of the device comply with the state of the art found in CSA B355-09, ASME A18.1 and ASME A17.1/CSA B44.