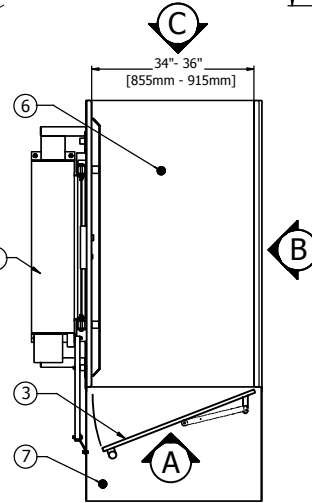
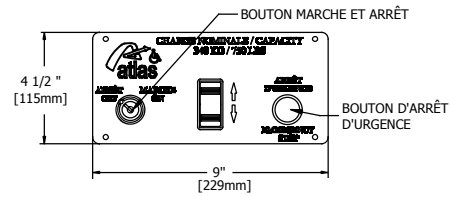


ISOMÉTRIC VIEW



1 ENCLOSURE

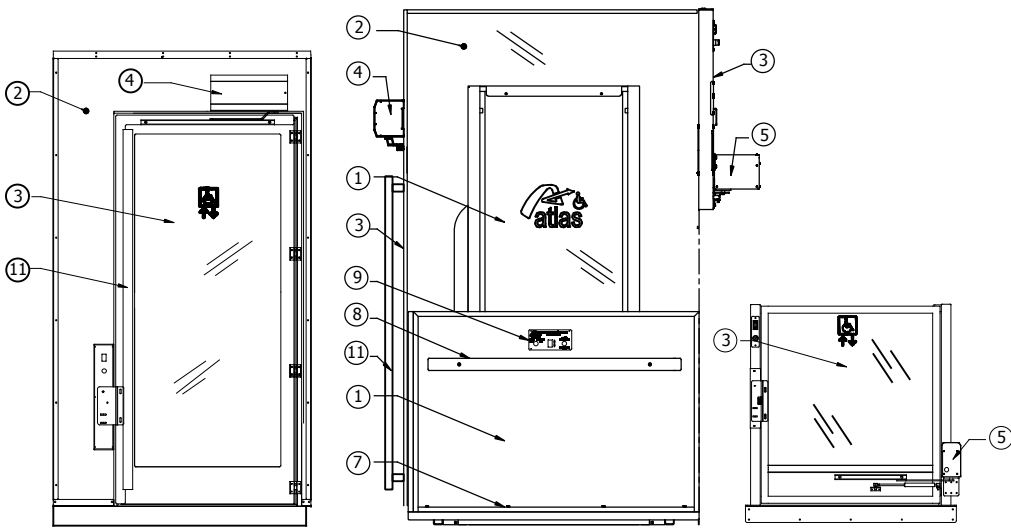


4 CONTROL PANEL

ENCLOSURE CAB FINISHING

- ① -STRUCTURE : PAINTED GALVANISED STEEL, COLOR STANDARD BEIGE ATLAS
- ② -PANEL: POLYCARBONATE 1/2" THICKNESS (SEE DETAIL 2)
- ③ -DOOR : POLYCARBONATE 3/16" THICKNESS
- ④ -GATE: PAINTED ALUMINIUM WITH POLYCARBONATE 3/16" THICKNESS
- ⑤ -AUTOMATIC DOOR OPENER : STAINLESS STEEL
- ⑥ -AUTOMATIC GATE OPENER : PAINTED STEEL
- ⑦ -FLOOR: PAINTED STEEL, ANTI SKID SURFACE (SEE DÉTAIL 3)
- ⑧ -HANDRAIL: STANDARD: FLAT ALUMINUM (WITH PLATFORM 60" & +) OPTION: TUBULAR STAINLESS STEEL
- ⑨ CONTROL PANEL : (SEE DETAIL 4)
 -CONTROL BUTTON, WEATHER PROF
 -EMERGENCY STOP BUTTON
 -ON/OFF KEYED SWITCH
 -EMERGENCY LOWERING: MANUALLY ACTIVATED DEVICE TO BRING DOWN THE PLATFORM IN CASE OF AN EMERGENCY (BREAKAGE OR POWER FAILURE)
- ⑩ -CUT OFF SWITCH
- ⑪ -HANDLE

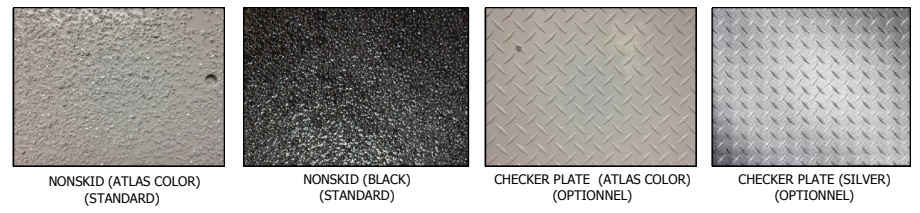
NOTE
 -THIS ELECTRONIC DOCUMENT IS NOT SIGNED OR SEALED BY A PROFESSIONAL ENGINEERS AND MAY NOT BE USED FOR CONSTRUCTION PURPOSES .
 -THIS ELECTRONIC DOCUMENT IS STRICTLY FOR INFORMATION PURPOSES (OR COORDINATION AS APPLICABLE)
 -NO GUARANTEES ARE GIVEN ON THE INTEGRITY OF THE TRANSMITTED INFORMATION.
 -NO GUARANTEES ARE GIVEN ABOUT PAST OR FUTURE CHANGES TO THIS DOCUMENT.



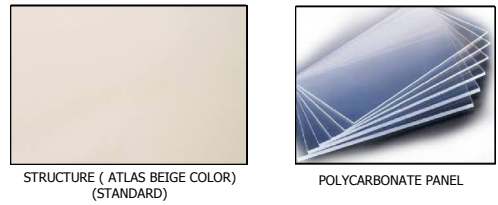
ELEVATION A

ELEVATION B

ELEVATION C



3 FLOOR FINISH



2 WALLS FINISH

Les Escalateurs Atlas Inc.
 8255 Boul. Laframboise
 St-Hyacinthe (Québec)
 J2R 1E8, Canada
 Tél: (450) 796-5708
 Fax: (450) 796-5110

atlas

TITLE: **GENERAL INFORMATION**

NO DRAWING	ENCLOSURE CAB	DATE:	24/05/2016	REVISION	1
CODE:	B-613 / B-355	NO DRAWING:	C-07	DRAFTER:	M. DEBUSSCHERE
				NO SHEET:	1/1