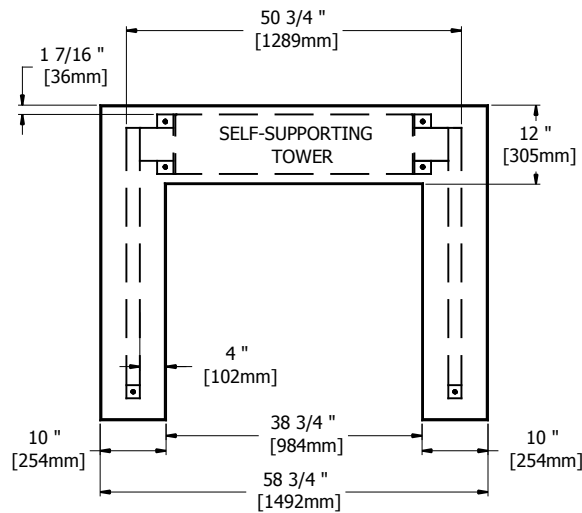
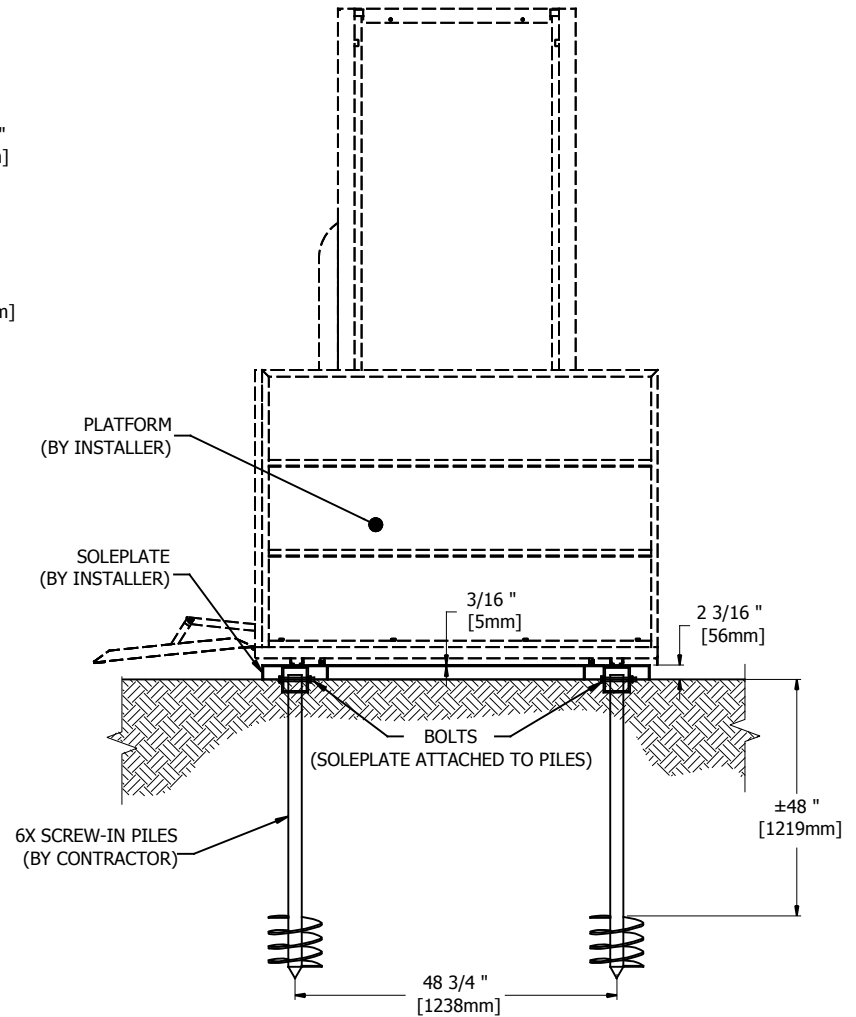


1 ANCHORING DETAIL

THE 6 ANCHOR POINTS ON THE SOLEPLATE HAVE 9/16" HOLES



3 SOLEPLATE DETAIL



2 ELEVATION DETAIL


Les Escalateurs Atlas Inc.
 8255 Boul. Laframboise
 St-Hyacinthe (Québec)
 J2R 1E8, Canada
 Tel: (450) 796-5708
 Fax: (450) 796-5110

Code:	B-355 / 613		Title:	SCREW-IN PILES DETAILS	Révision: 1
Safety:	± 1/16"				
Drafter:	M. Debusschere		No drawing:	F-02	Status: INFORMATION
Date:	21-07-2016				