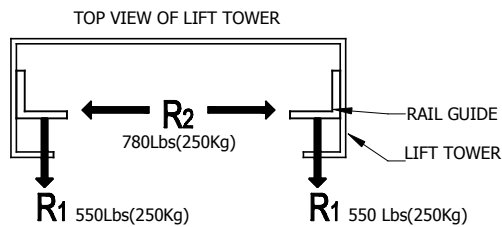
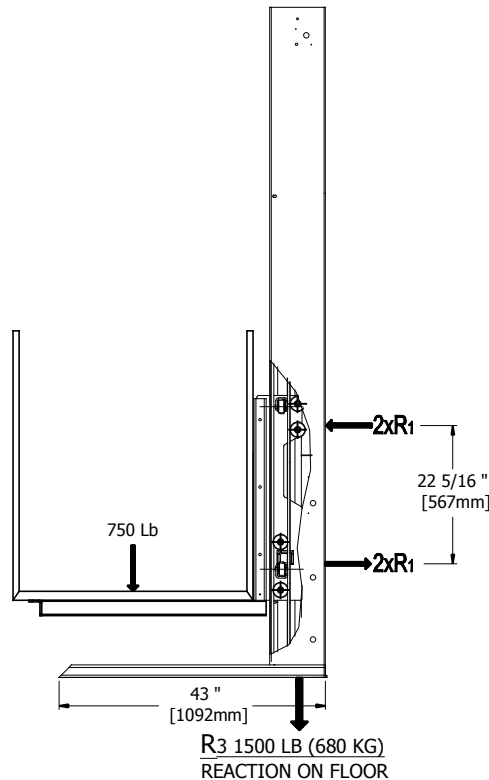


1 REACTION



2 REACTIONS ON RAIL

FOR REFERENCE  
DO NOT USE FOR CONSTRUCTION



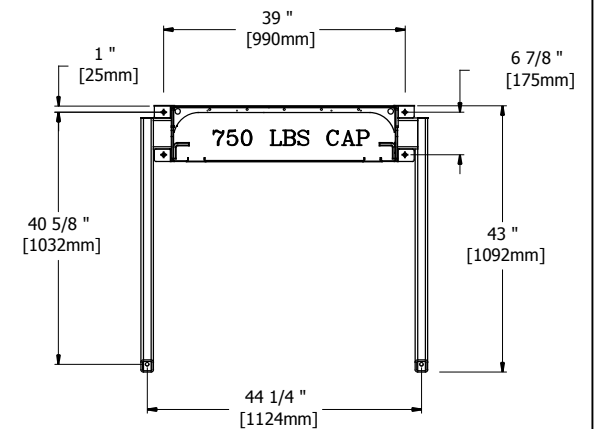
3 REACTIONS SIDE VIEW

NOTE

- FOLLOW A MINIMUM SAFETY FACTOR OF 5 ON ALL STRUCTURAL COMPONENTS: REF CSA B355-09

- THE INDICATED REACTIONS IS A COMBINATION OF THE NOMINAL PAYLOAD PLUS THE MASS OF ELEVATOR.

- THE SELF SUPPORTING LEGS CAN BE ELIMINATED IF A SUPPORTING WALL IS BUILT BEHIND THE TOWER OF THE LIFTING PLATFORM..



4 SELF SUPPORTING

		<b>Les Escalateurs Atlas Inc.</b> 3175 Boul. Choquette St-Hyacinthe (Québec) J2S 7Z8, Canada Tél: (450) 796-5708 Fax: (450) 250-5110	
		<b>GENERAL INFORMATION</b>	
No. PLAN VISTA 750LBS REACTION	DATE 04/13/2017	REVISION	
NO. DRAWING B355-B613	NO. DRAFTER F-04	DRAFTER M.DEBUSSCHERE	NO. SHEET 1/1