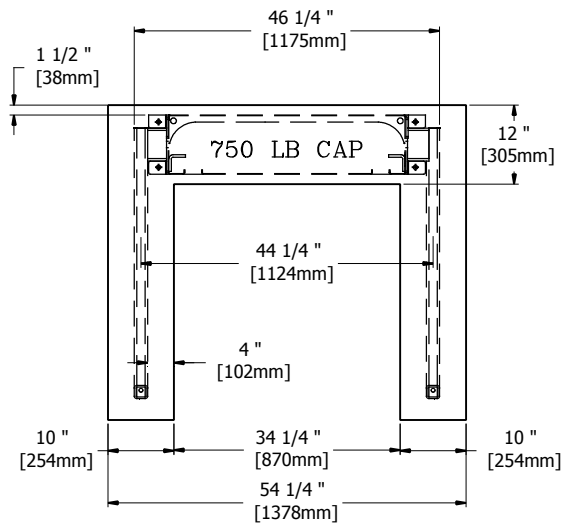
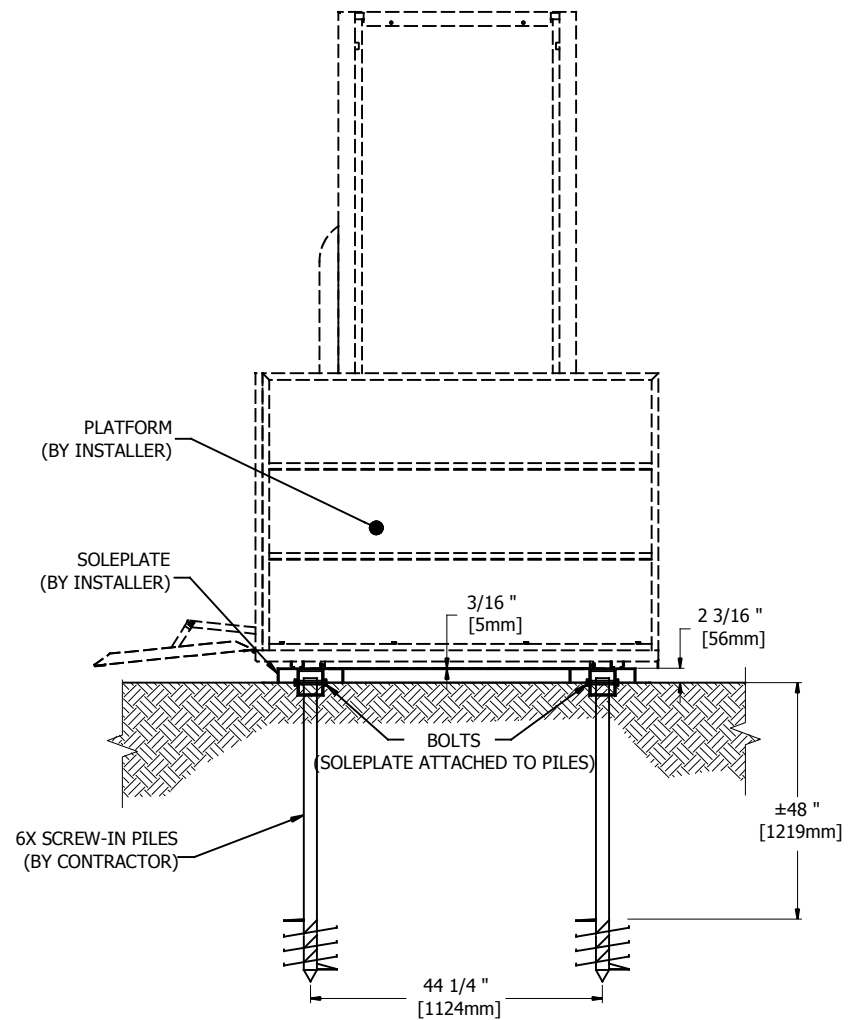


1 ANCHORING DETAIL

THE 6 ANCHOR POINTS ON THE SOLEPLATE HAVE 9/16" HOLES



3 SOLEPLATE DETAIL




Les Escalateurs Atlas Inc.
 3175 Boul. Choquette
 St-Hyacinthe (Québec)
 J2S 7Z8, Canada
 Tel: (450) 796-5708
 Fax: (450) 250-5110

Code:	B-355 / 613	Title:	SCREW-IN PILES DETAILS VISTA WITH HELPER	Revision:	3
Safety:	± 1/16"			No Sheet:	1/1
Drafter:	M. Debusschere	Status:	INFORMATION		
Date:	09-11-2018	No drawing:	F-02		