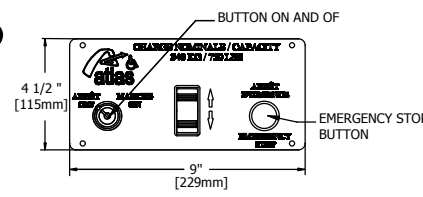


### VISTA CAB FINISH

- ① **STRUCTURE:** PAINTED GALVANISED STEEL, COLOR STANDARD BEIGE ATLAS OR OTHER COLORS CHOICE (OPTION)
- ② **PANNEL:** PAINTED STEEL SHAFT, COLOR STANDARD BEIGE ATLAS OR OTHER COLORS CHOICE (OPTION)
- ③ **LIFT GATE:** PAINTED ALUMINIUM, COLOR STANDARD BEIGE ATLAS OR OTHER COLORS CHOICE (OPTION)
- ④ **LANDING GATE:** PAINTED ALUMINIUM, COLOR STANDARD BEIGE ATLAS OR OTHER COLORS CHOICE (OPTION)
- ⑤ **AUTOMATIC DOOR OPENER:** PAINTED STEEL, COLOR STANDARD BEIGE ATLAS OR OTHER COLORS CHOICE (OPTION)
- ⑥ **FLOOR:** PAINTED STEEL, ANTI SKID SURFACE, IMPACT RESISTANT, COMPOSED OF RECYCLED RUBBER AGGREGATE AND CRUSHED GLASS IN BLACK EPOXY COATING OR CHECKER PLATE(OPTION)
- ⑦ **FLAP:** PAINTED STEEL, ANTI SKID SURFACE, IMPACT RESISTANT, COMPOSED OF RECYCLED RUBBER AGGREGATE AND CRUSHED GLASS IN BLACK EPOXY COATING OR CHECKER PLATE(OPTION)
- ⑧ **HANDRAIL:** STANDARD: FLAT ALUMINIUM (WITH PLATFORM 60" & +) OPTION: TUBULAR STAINLESS STEEL
- ⑨ **CONTROL PANEL:**
  - CONTROL BUTTON, WEATHER PROF
  - EMERGENCY STOP BUTTON
  - ON/OFF KEYS SWITCH
  - EMERGENCY LOWERING: MANUALLY ACTIVATED DEVICE TO BRING DOWN THE PLATFORM IN CASE OF AN EMERGENCY (BREAKAGE OR POWER FAILURE)
- ⑩ **CUT OFF SWITCH**

① **VISTA B-355 / 613**

**A** **B**  
ISOMÉTRIC VIEW

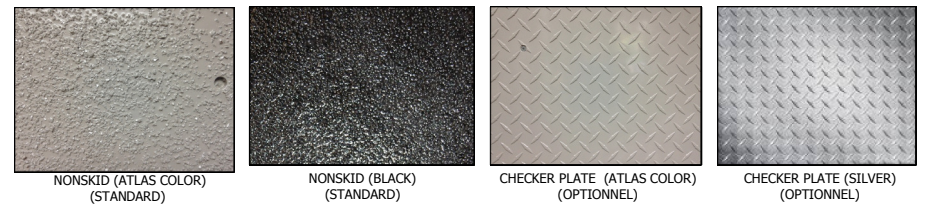
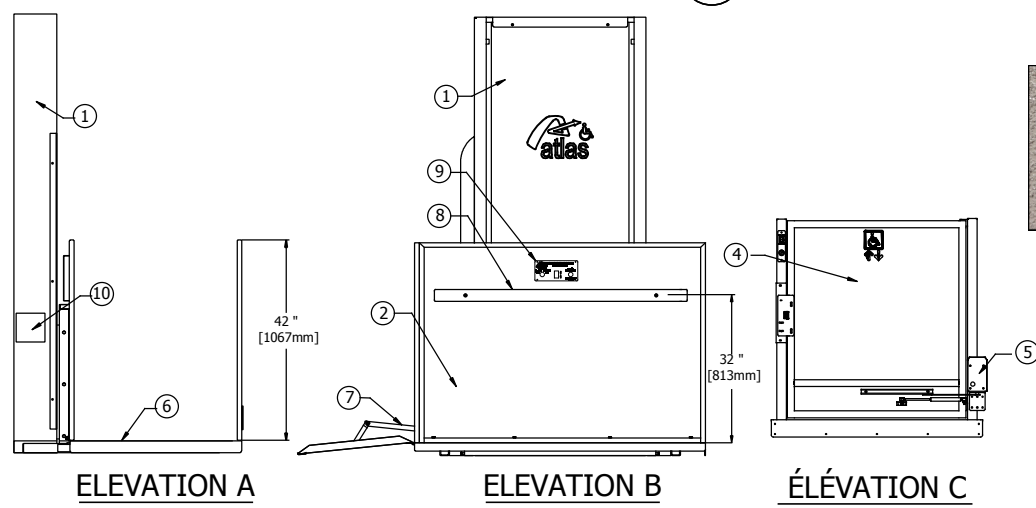


④ **CONTROL PANEL**



② **WALLS FINISH**

**NOTE**  
 -THIS ELECTRONIC DOCUMENT IS NOT SIGNED OR SEALED BY A PROFESSIONAL ENGINEERS AND MAY NOT BE USED FOR CONSTRUCTION PURPOSES .  
 -THIS ELECTRONIC DOCUMENT IS STRICTLY FOR INFORMATION PURPOSES ( OR COORDINATION AS APPLICABLE)  
 -NO GUARANTEES ARE GIVEN ON THE INTEGRITY OF THE TRANSMITTED INFORMATION.  
 -NO GUARANTEES ARE GIVEN ABOUT PAST OR FUTURE CHANGES TO THIS DOCUMENT.



③ **FLOOR FINISH**

**Les Escalateurs Atlas Inc.**  
 8255 Boul. Laframboise  
 St-Hyacinthe (Québec)  
 J2R 1E8, Canada  
 Tél: (450) 796-5708  
 Fax: (450) 796-5110

**atlas**

TITLE: **GENERAL INFORMATION**

NO. DRAWING: <b>VISTA CAB</b>	DATE: 24/05/2016	REVISION: 1
CODE: B-613 / B-355	NO. DRAWING: C-06	DRAFTER: M. DEBUSSCHERE
		NO. SHEET: 1/1