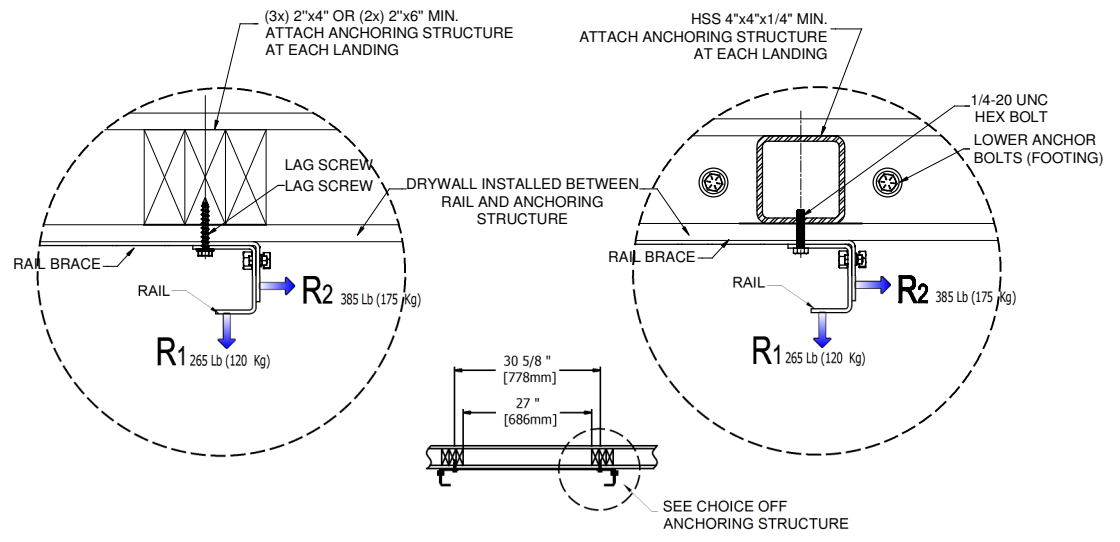


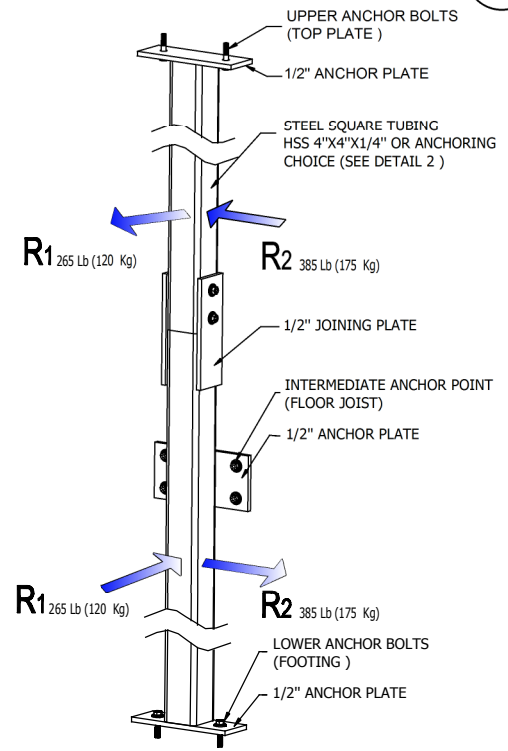
1 ISOMETRIC VIEW
AR-130-T

GENERAL DOCUMENT,
INFORMATIONAL PURPOSES ONLY



2 TOP VIEW DETAIL
INSTALLATION

NOTE:
1: THIS DRAWING ILLUSTRATES A TYPICAL SUPPORTING WALL STRUCTURE INSTALLATION AND ILLUSTRATED DETAIL SHOULD BE CHANGED WITH MATERIAL CHOICE.
2: THE CUSTOMER IS RESPONSIBLE TO HAVE THE LINK BETWEEN THE SUPPORTING WALL STRUCTURE AND THE BUILDING CALCULATED BY A STRUCTURAL ENGINEER.
3: THE MAXIMUM DISTANCE BETWEEN ANCHOR POINTS IS 12' [5658mm].



3 ELEVATION DETAIL
HSS ANCHORING

Les Escalateurs Atlas Inc.
3175 Boul. Choquette
St-Hyacinthe (Québec)
J2S 7Z8, Canada
Tel: (450) 796-5708
Fax: (450) 250-5110

Code:	B-355 / 613	Title:	AR-130-T ANCHORING STRUCTURE DETAILS		Revision:	5	
Safety:	± 1/16"				No Sheet:	1/1	
Drafter:	M. Debusschere	Date:	04-10-2018	No drawing:	F-04	Status:	INFORMATION